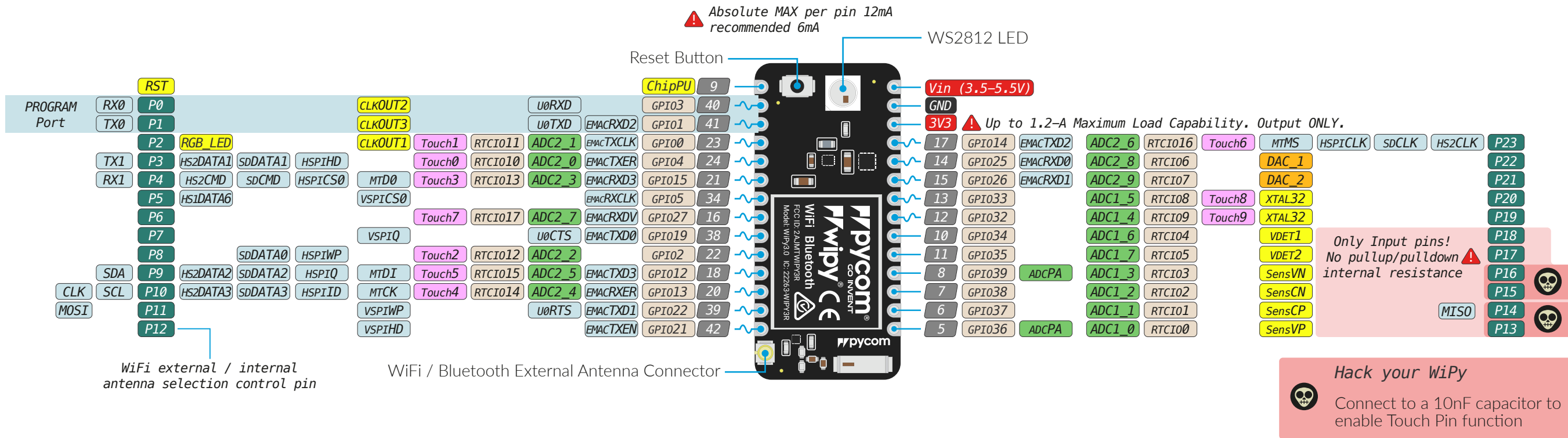


Model: WiPy3.0



- Power
- GND
- Serial Pin
- Analog Pin
- Control
- Physical Pin
- Port Pin
- Touch Pin
- DAC Pin
- ~ PWM Pin

Low Level Bootloader

P2 + GND

Boot modes and safe boot

P12 + 3V3

- 1-3 sec Safe boot, latest firmware is selected
- 4-6 sec Safe boot, previous user update selected
- 7-9 sec Safe boot, the factory firmware is selected