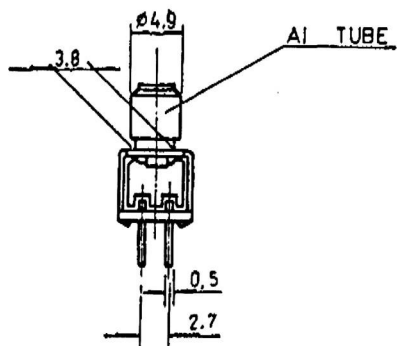
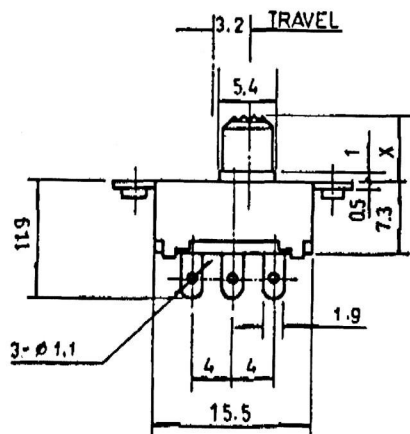
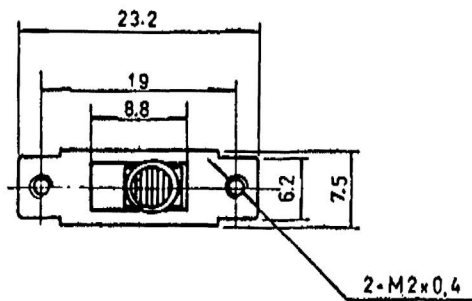


SCHEMATIC



ISSUED	SPECIFICATION	TITLE:	SLIDE SWITCH 2P2T		
	RATING: DC 50V 0.5A	MODEL NO:			
	CONTACT RESISTANCE: Not more than 30mΩ (initial)	UNIT: mm	DWN		
	INSULATION RESISTANCE: 500MΩ at 500 DC	SCALE: 2:1	CHK'D		
	WITHSTAND VOLTAGE: AC 500V 1 min	TOLERANCE: ± 0.2	APPD.		
	OPERATION FORCE:				
	SWITCHING LIFE 10 Kcycles (15-18°C /m unloading)				