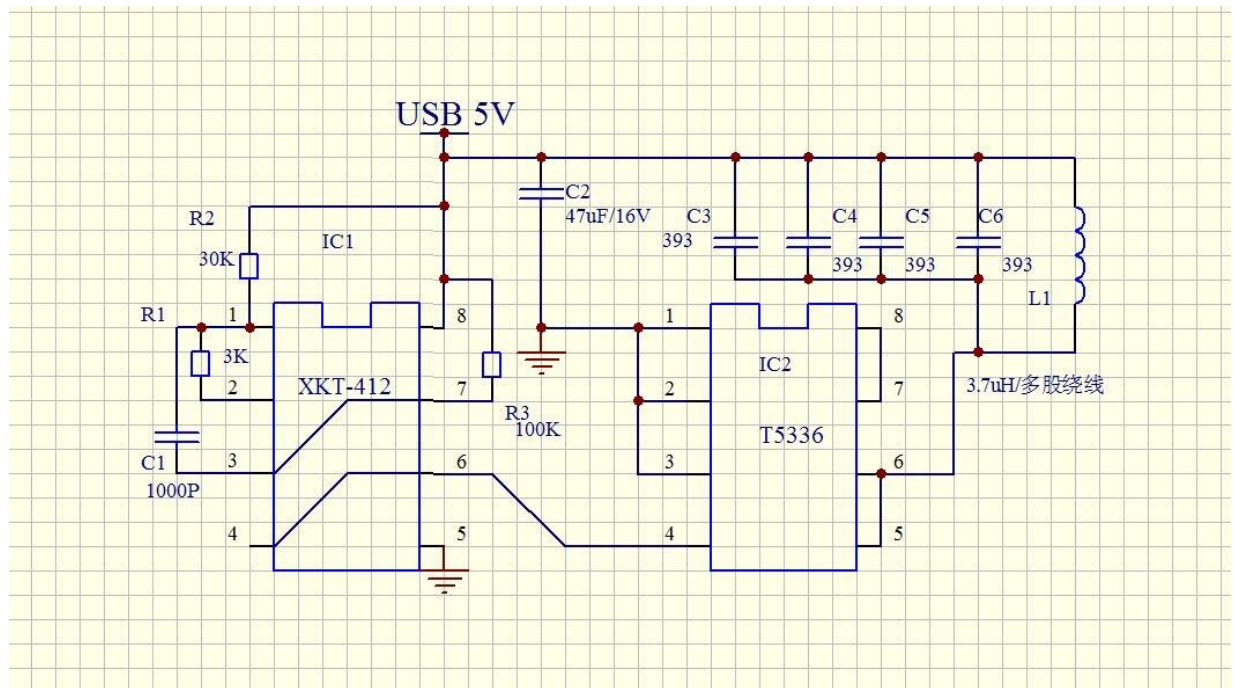


Transmitting Terminal Circuit



Receiving Terminal Circuit

