

1

2

3

4

D

D

C

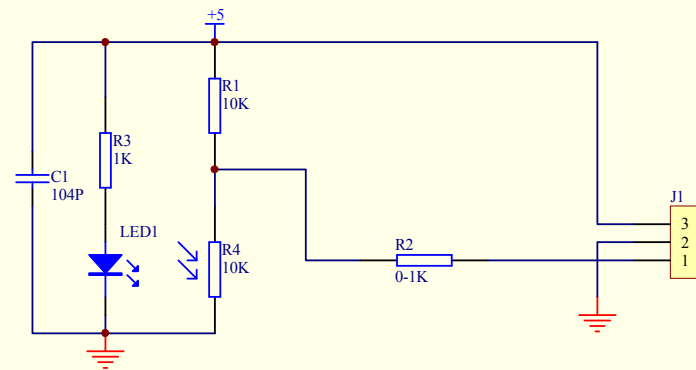
C

B

B

A

A



Title		
Size	Number	Revision
A4		
Date:	25-Apr-2010	Sheet of
File:	D:\plan\产品记录\arduino\arduino_NGDM\01610103	

1

2

3

4