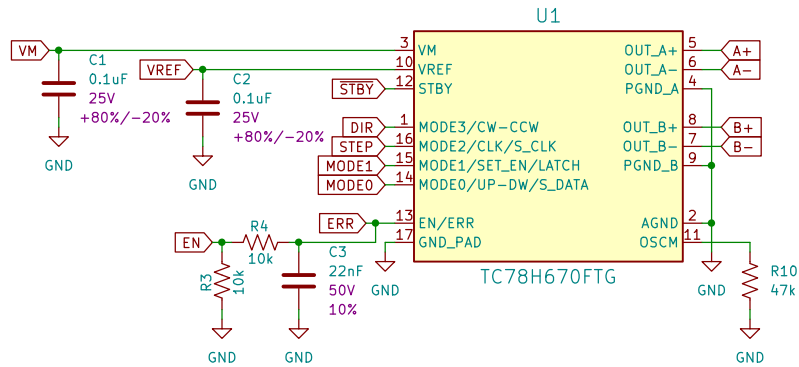
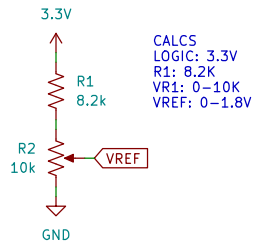


# TC78H670FTG Motor Driver IC

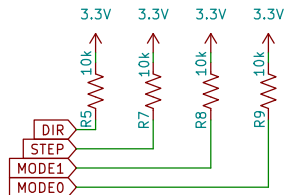
Power supply (VM) operating voltage: 2.5V to 16.0V  
 Output Current ratings: 2.0 A (max)  
 Logic Level 5.5V tolerant  
 Logic LOW Threshold: 0.7V  
 Logic HIGH Threshold: 1.5V



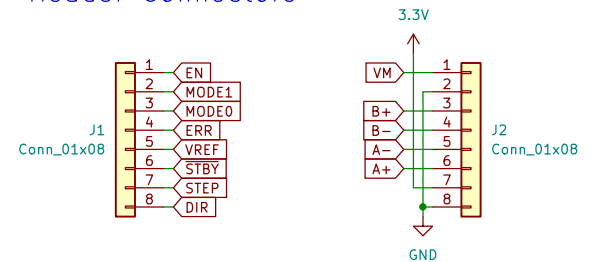
## Current Control



## Pull-up/down Resistors



## PTH 0.1" Header Connectors



Released under the Creative Commons Attribution Share-Alike 4.0 License  
<https://creativecommons.org/licenses/by-sa/4.0/>  
 Design by: P. Lewis



[Ordering Instructions](#)

Sheet: /  
 File: SparkFun\_Stepper\_Motor\_Breakout\_TC78H670FTG.kicad\_sch

**Title: SparkFun Stepper Motor Breakout TC78H670FTG**

Size: USLetter Date: 2024-02-16  
 KiCad E.D.A. 8.0.1

Rev: v01  
 Id: 1/1