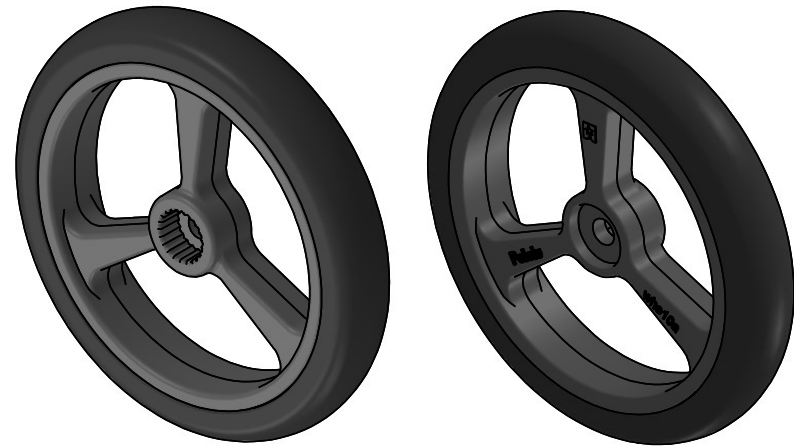
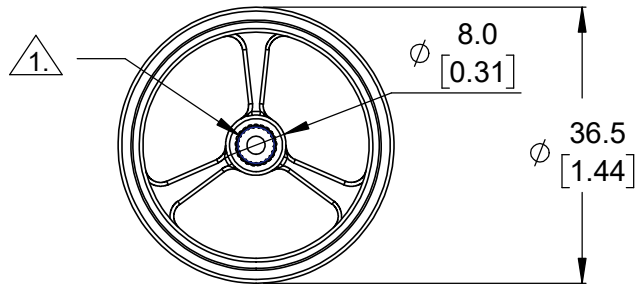


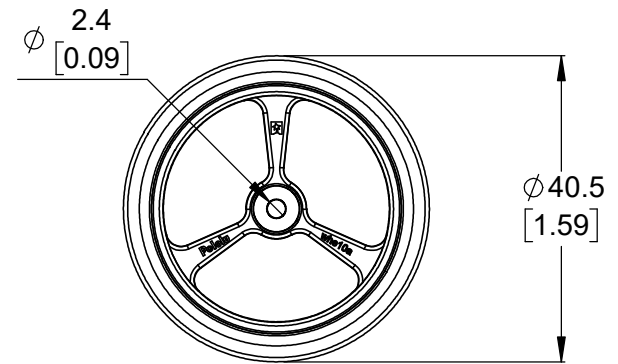
① Profile view without tire
Scale 3:2



② Isometric view
Scale 3:2



③ Back view without tire (actual size)
Scale 1:1




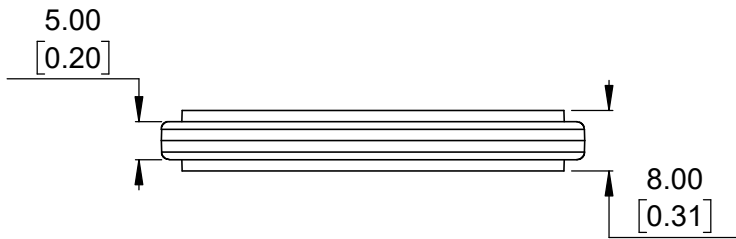
④ Front view with tire (actual size)
Scale 1:1

①.
2.

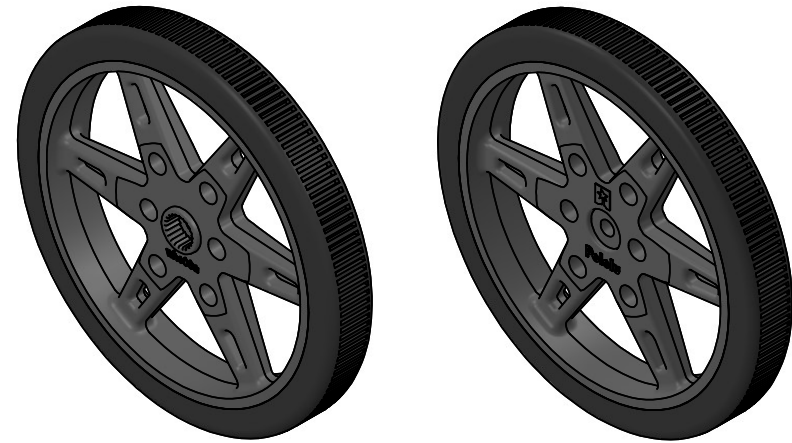
Fits micro servos with 21T, 4.8mm-diameter splines.
To get the specified scale, select 100% in print settings.

<https://www.pololu.com/product/4905>

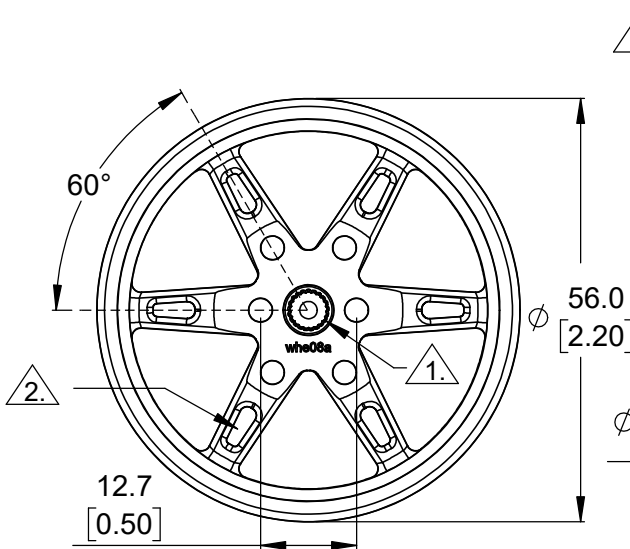
Name: Pololu Wheels for Micro Servos 40×7mm		Item number: 4905, 4906, 4909
Drawing date: 17 November 2021	Dev code: whe10a	 © 2021 Pololu Corporation
Units: mm [in]	Material: ABS & silicone	



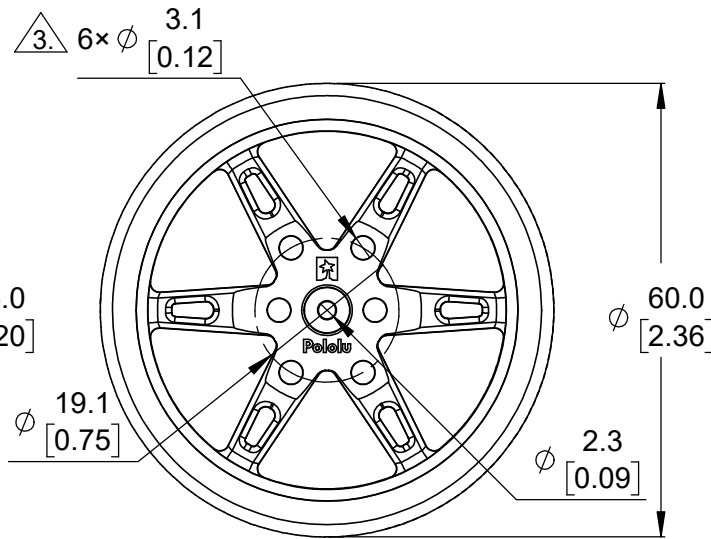
① Profile view without tire
Scale 1:1



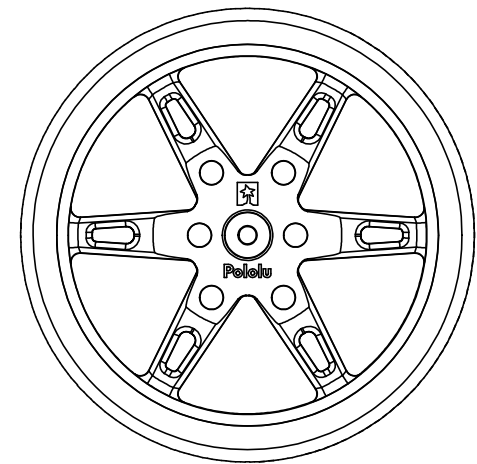
② Isometric view
Scale 1:1



③ Back view without tire (actual size)
Scale 1:1




④ Front view with tire (actual size)
Scale 1:1

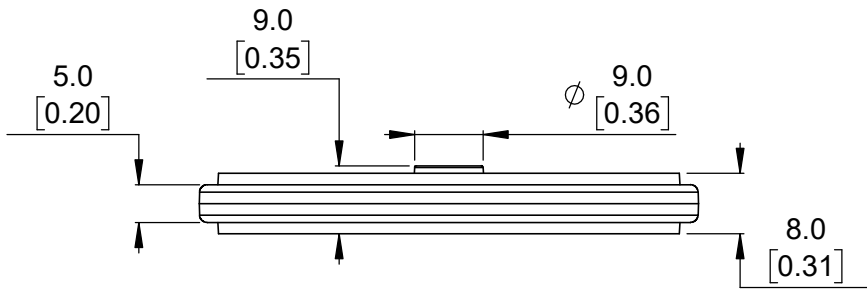


⑤ Front view with tire (actual size)
Scale 1:1

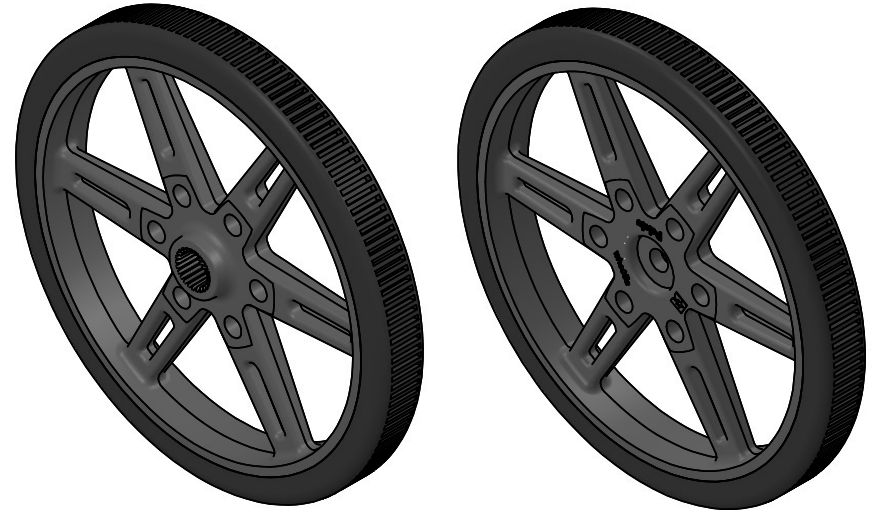
- ① Fits micro servos with 21T, 4.8mm-diameter splines.
- ② Mounting slots fit #2 and M2 screws.
- ③ Intended for #4 and M3 screws.
- 4. To get the specified scale, select 100% in print settings.

<https://www.pololu.com/product/4910>

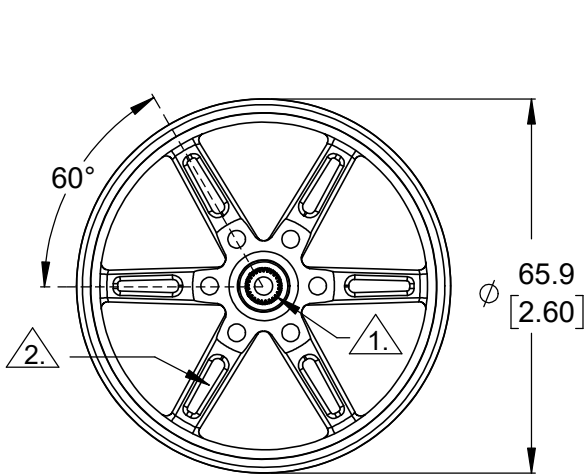
Name: Pololu Wheels for Micro Servos 60×8mm		Item number: 4910, 4911, 4914
Drawing date: 11 November 2021	Dev code: whe08a	 © 2021 Pololu Corporation
Units: mm [in]	Material: ABS & silicone	



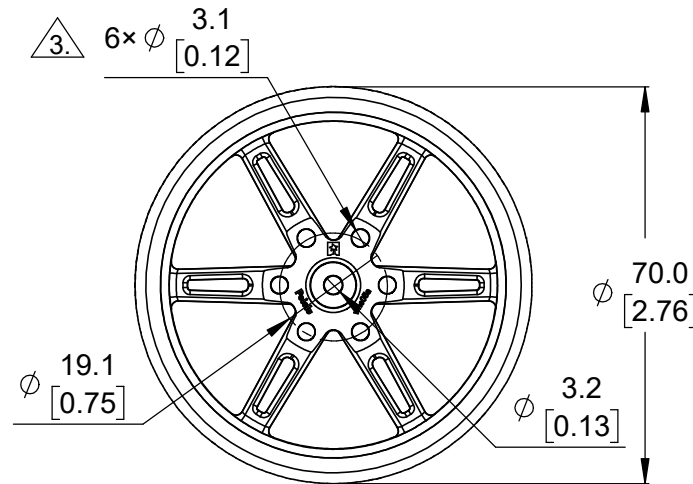
① Profile view without tire
Scale 1:1



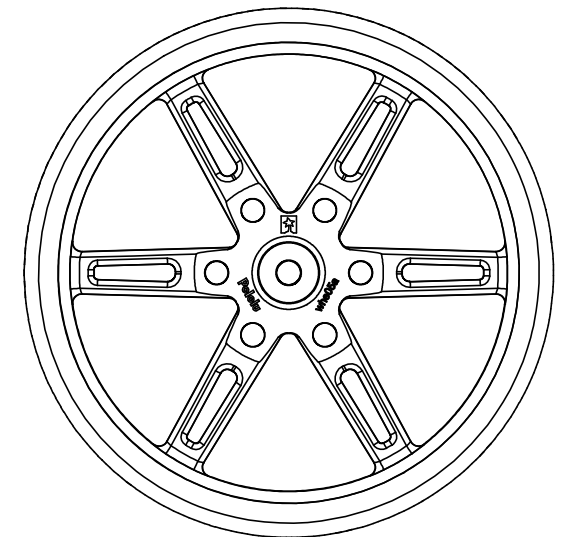
② Isometric view
Scale 1:1



③ Back view without tire
Scale 3:4




④ Front view with tire
Scale 3:4

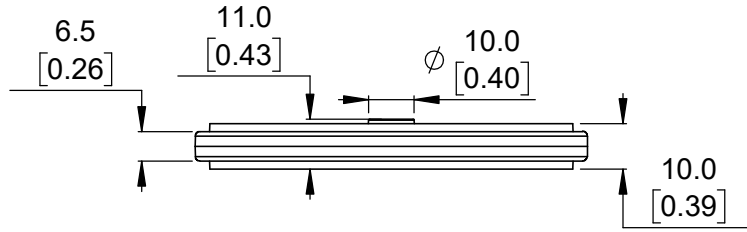


⑤ Front view with tire (actual size)
Scale 1:1

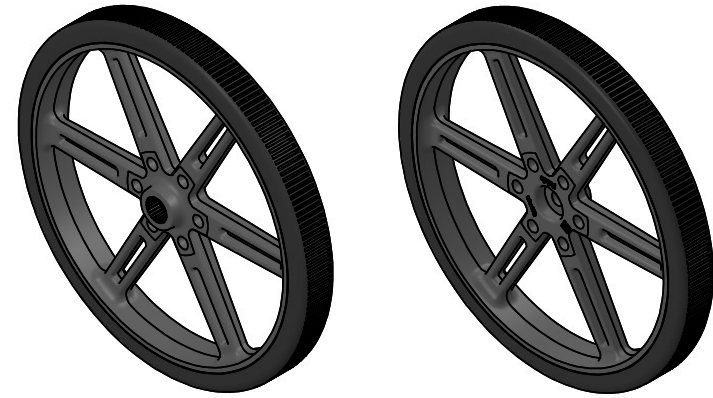
- ① Fits standard servos with 25T, 5.8mm-diameter splines.
- ② Mounting slots fit #2 and M2 screws.
- ③ Intended for #4 and M3 screws.
- 4. To get the specified scale, select 100% in print settings.

<https://www.pololu.com/product/4925>

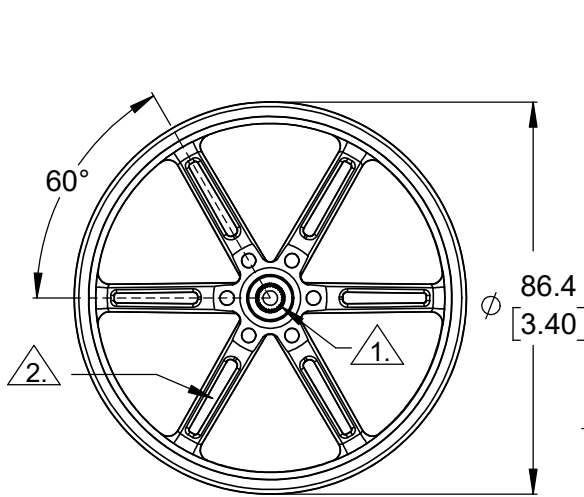
Name: Pololu Wheels for Standard Servos 70×8mm		Item number: 4925, 4926, 4929
Drawing date: 11 November 2021	Dev code: whe05a	 © 2021 Pololu Corporation
Units: mm [in]	Material: ABS & silicone	



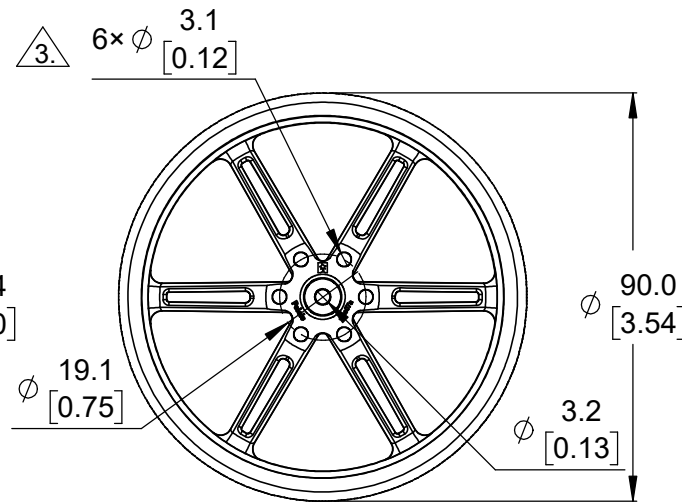
① Profile view without tire
Scale 3:5



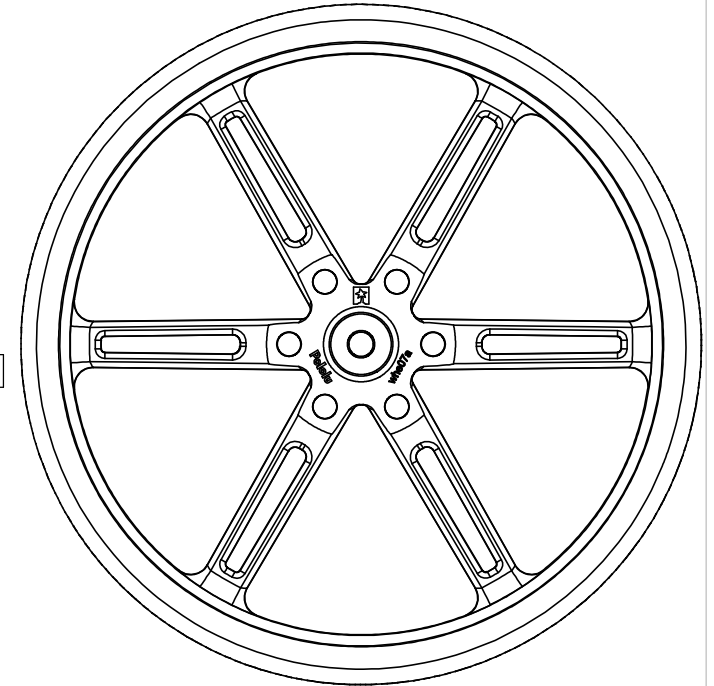
② Isometric view
Scale 3:5



③ Back view without tire
Scale 3:5




④ Front view with tire
Scale 3:5



⑤ Front view with tire (actual size)
Scale 1:1

- ① Fits standard servos with 25T, 5.8mm-diameter splines.
- ② Mounting slots fit #2 and M2 screws.
- ③ Intended for #4 and M3 screws.
- 4. To get the specified scale, select 100% in print settings.

<http://www.pololu.com/product/4935>

Name: Pololu Wheels for Standard Servos 90×10mm		Item number: 4935, 4936, 4939
Drawing date: 11 November 2021	Dev code: whe07a	 © 2021 Pololu Corporation
Units: mm [in]	Material: ABS & silicone	