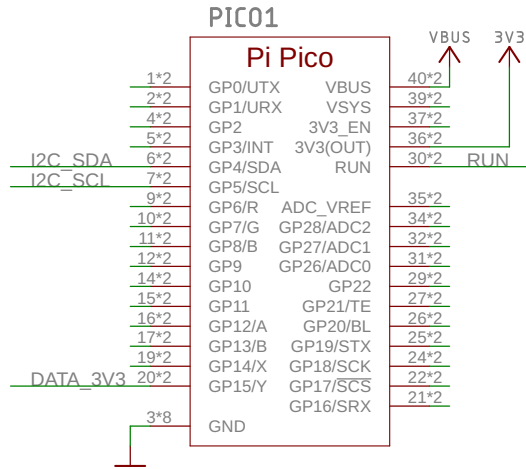
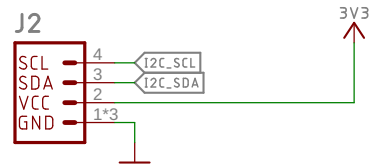


Plasma Stick 2040 W (Pico W Aboard) (PIM653)

Raspberry Pi Pico W



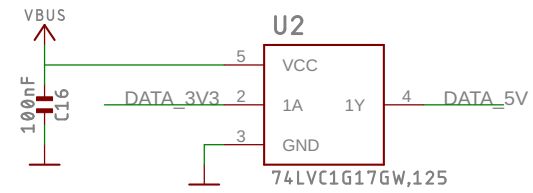
QW/ST connector



Reset switch



Output level shifting and screw terminal



Output screw terminal

