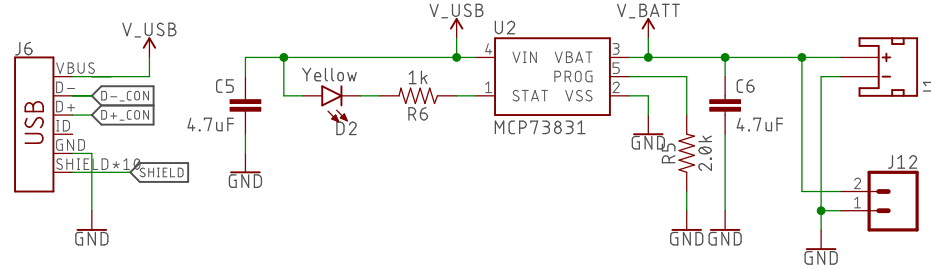
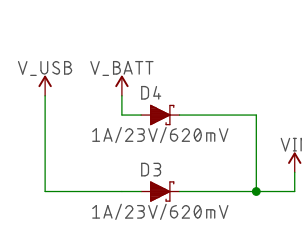


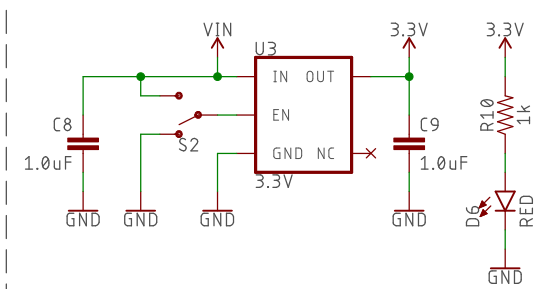
USB/LiPo Charger



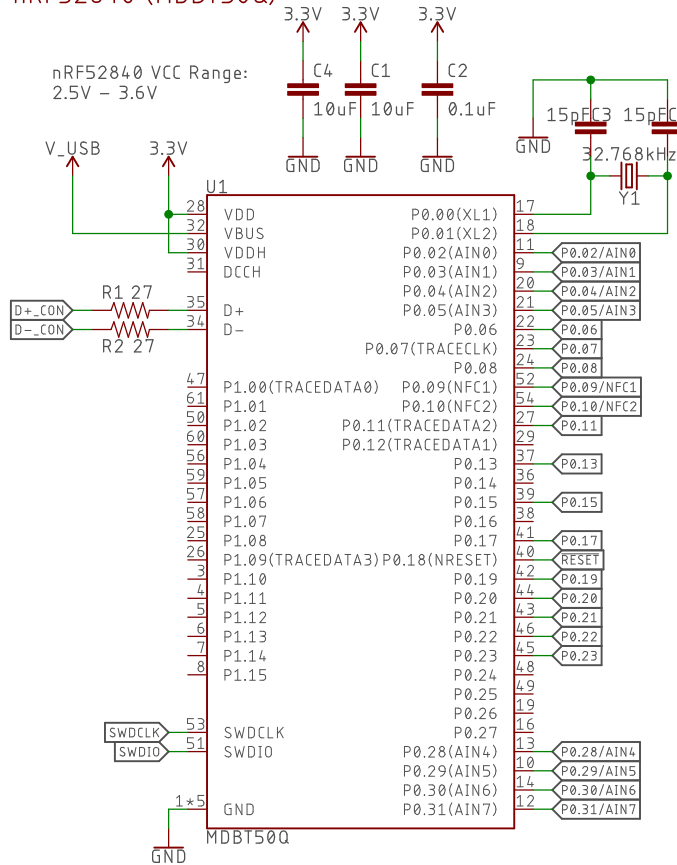
Power Source Select



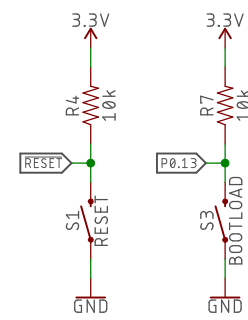
3.3V Regulator



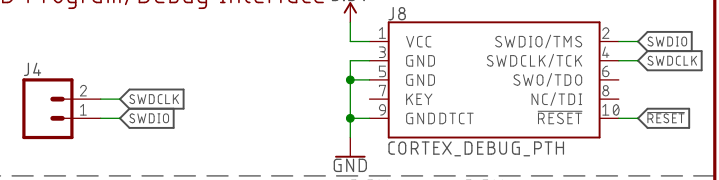
nRF52840 (MDBT50Q)



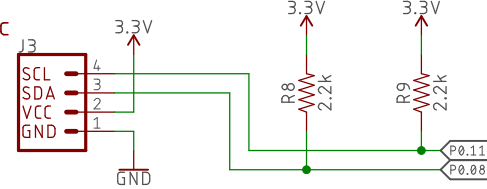
Buttons



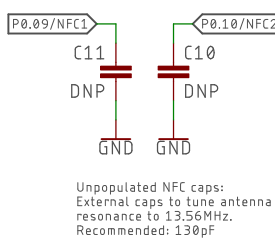
SWD Program/Debug Interface



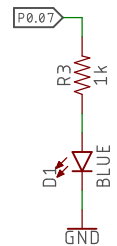
I2C/Qwiic



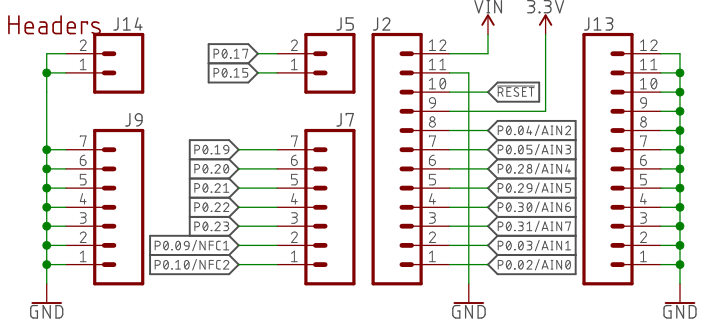
NFC Capacitors (DNP)



User LED



Headers



Released under the Creative Commons Attribution Share-Alike 4.0 License
<https://creativecommons.org/licenses/by-sa/4.0/>

TITLE: nrf52840-breakout-mdbt50q

Design by: Jim Lindblom

Date: 9/27/2018 9:52 AM

REV: v10

Sheet: 1/1

