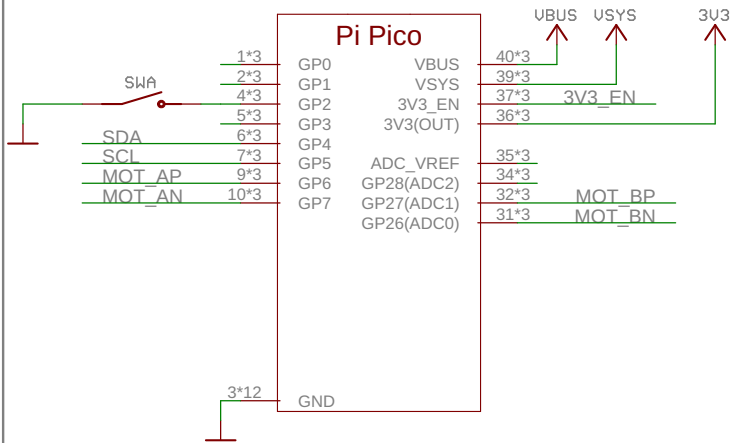
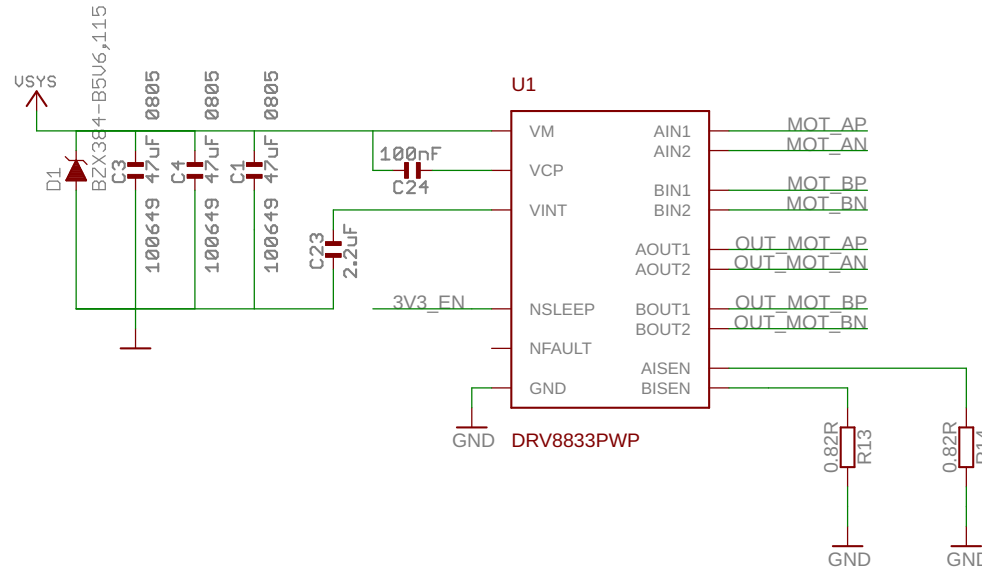


Motor SHIM for Pico (PIM617)

Pico connector



Dual motor driver and motor output connectors



Current = 200mV/resistance
0.82ohm resistor -> 0.244A current

Resistor power: $0.244 \times 0.2V = 0.049W$

Qwiic / Stemma QT Connector

