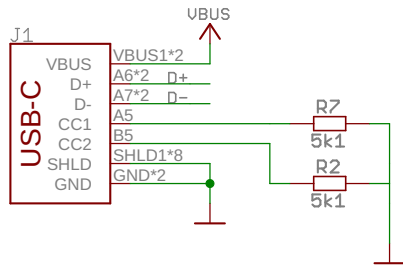
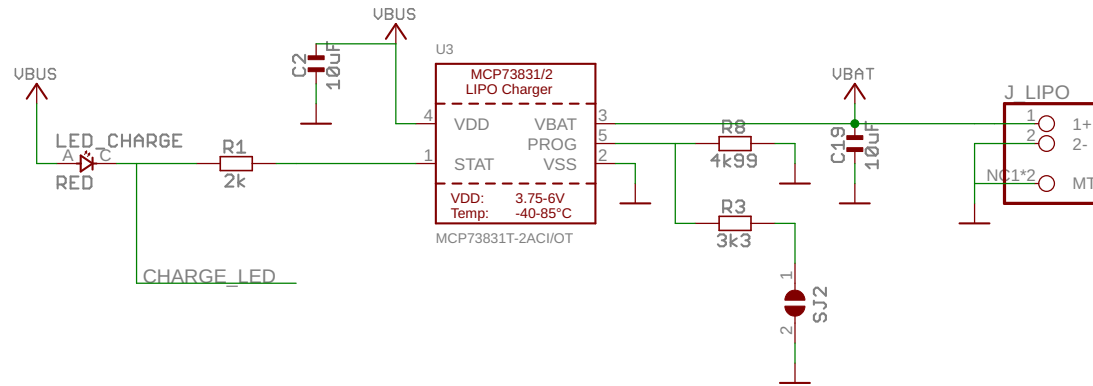


LiPo Amigo (PIM611)

USB-C connector



Lipo charger and connector



4k99 on PROG sets charge current limit to 200mA.
3k3 + 4k99 set the current limit to ~500mA

Expansion header and USB data pads

