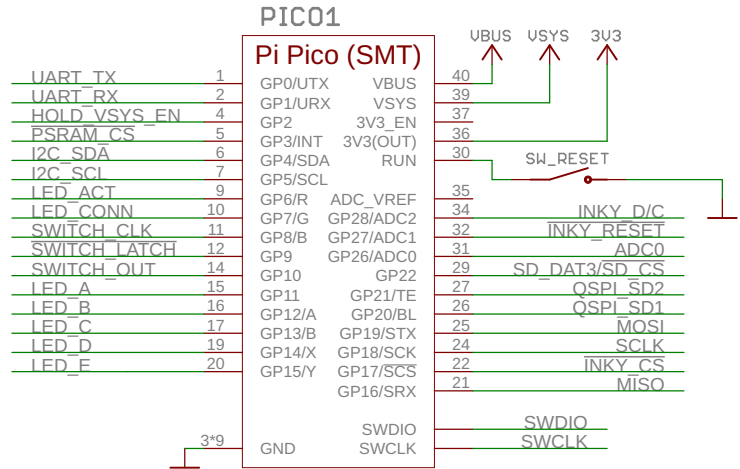
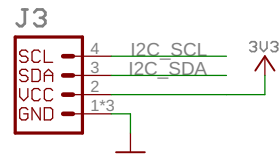
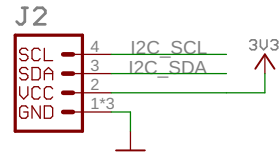


# Inky Frame 7.3" (PIM655): Pico, connectors, switches and LEDs

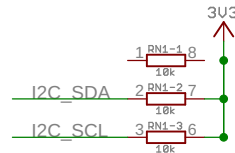
## Raspberry Pi Pico W



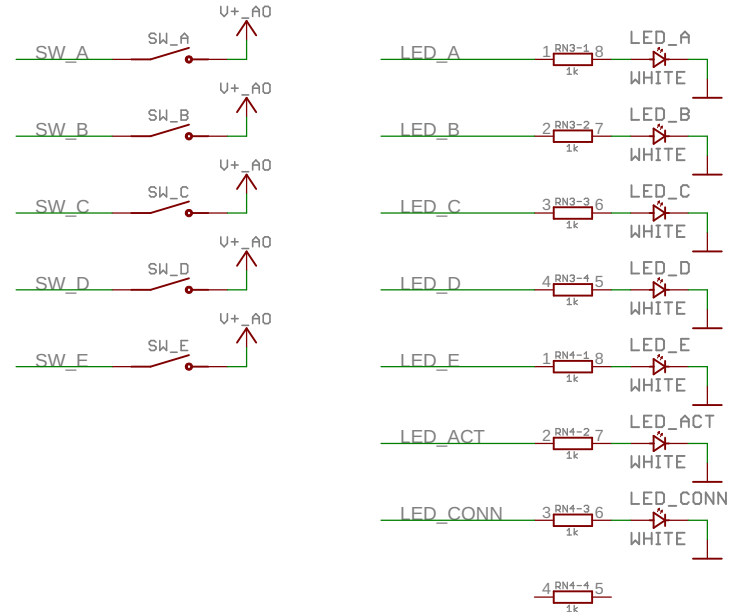
## QW/ST connectors



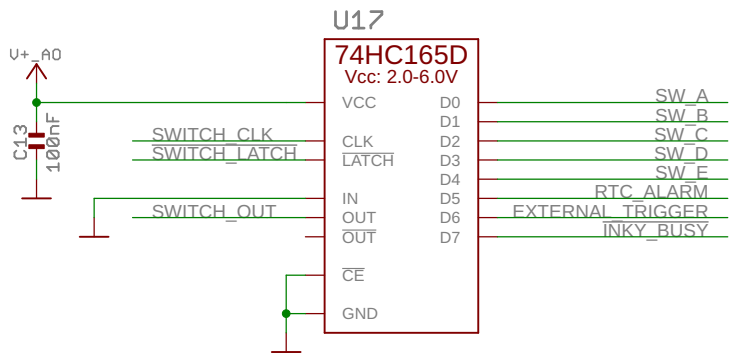
## I2C Pullups



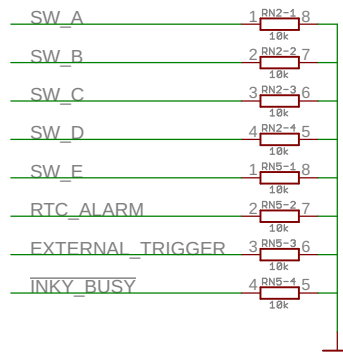
## Switches and LEDs



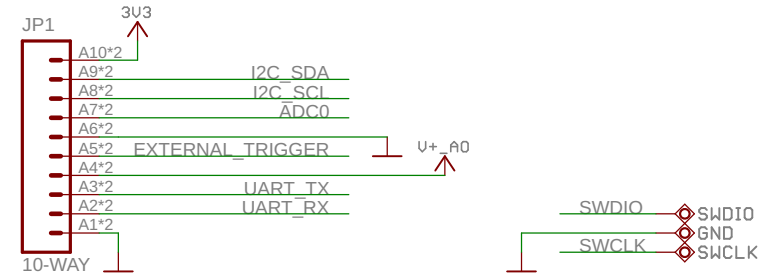
## Shift register for inputs



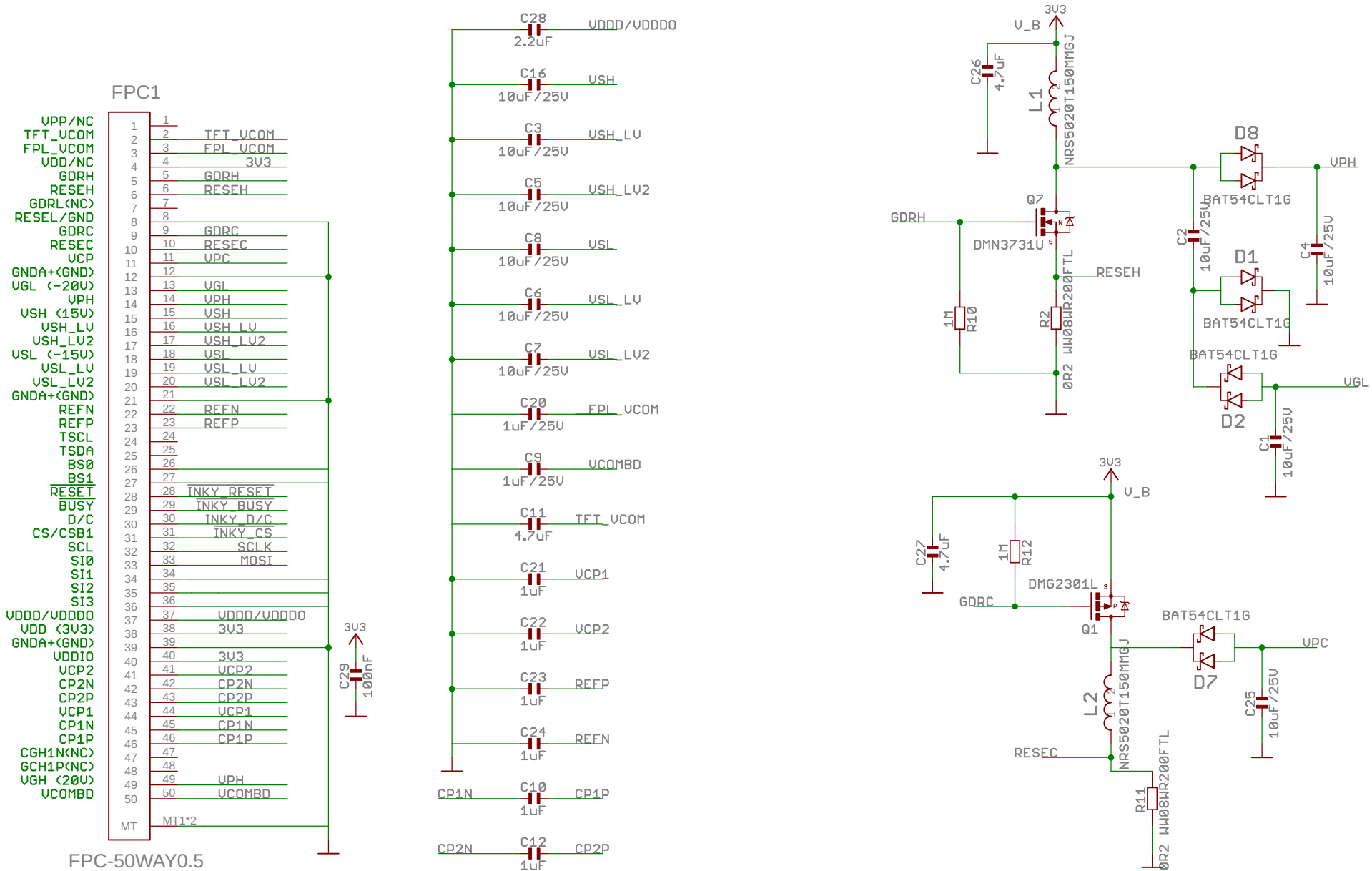
## Input pull-downs



## Expansion header and debug pads

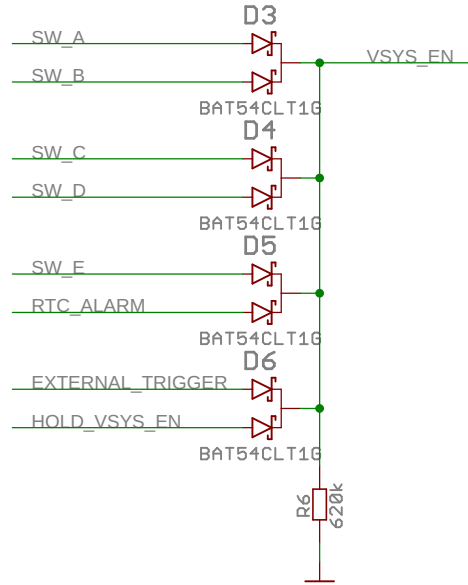


# Inky Frame 7.3" (PIM655): E-Ink display and circuitry

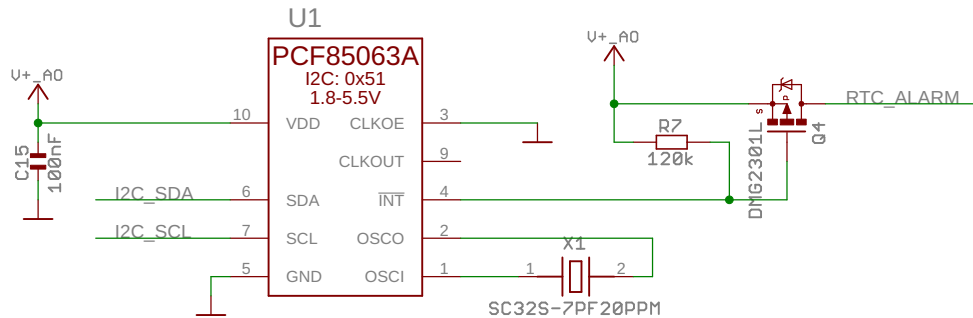


# Inky Frame 7.3" (PIM655): Power, RTC

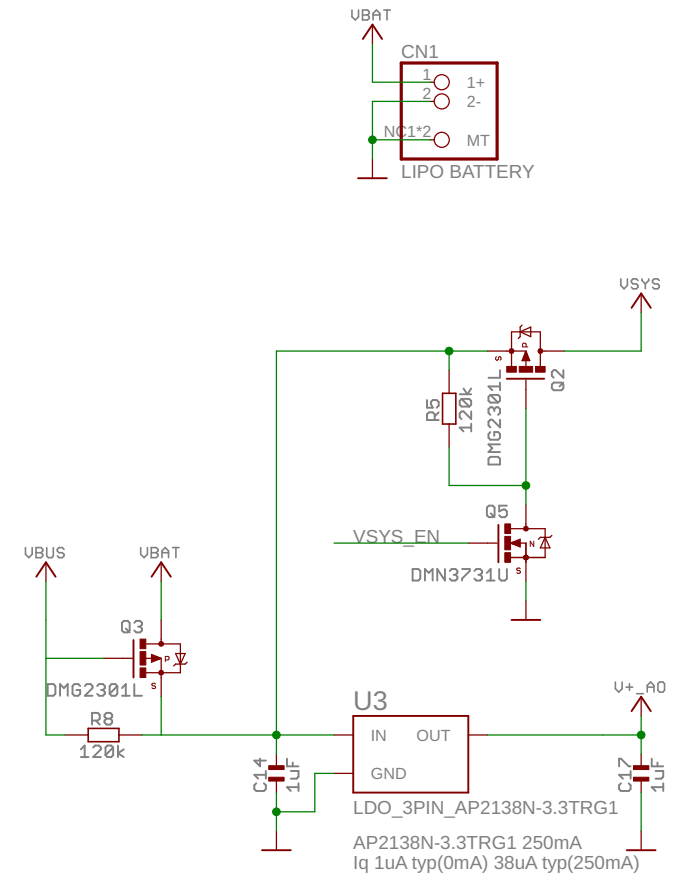
## Wake from power-down connections



## RTC with crystal



## Battery connector & power



# Inky Frame 7.3" (PIM655): MicroSD and PSRAM

