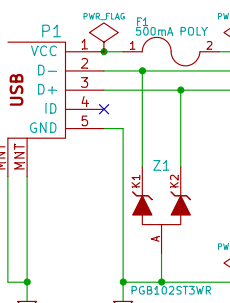
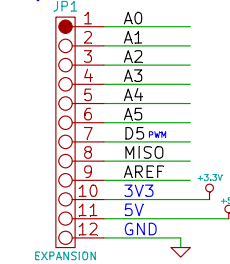
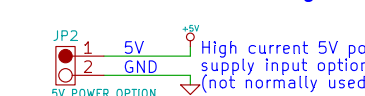


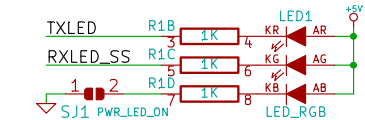
Expansion



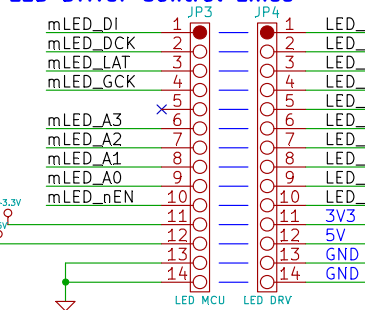
microUSB Power and Program



Indicator LEDs



LED Driver Control Lines

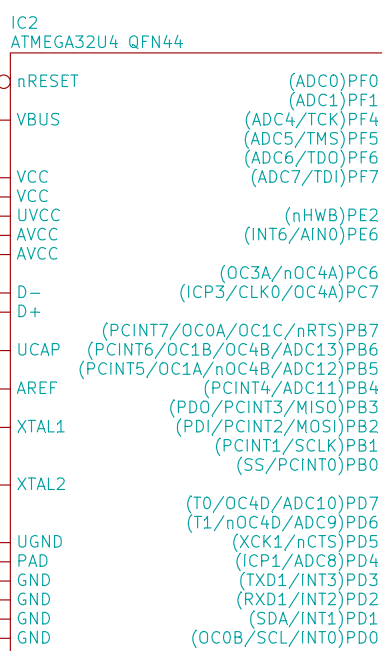


Shorted by default, cut these jumpers to allow for external LED system control



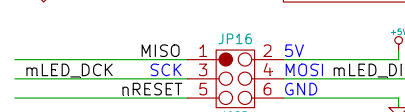
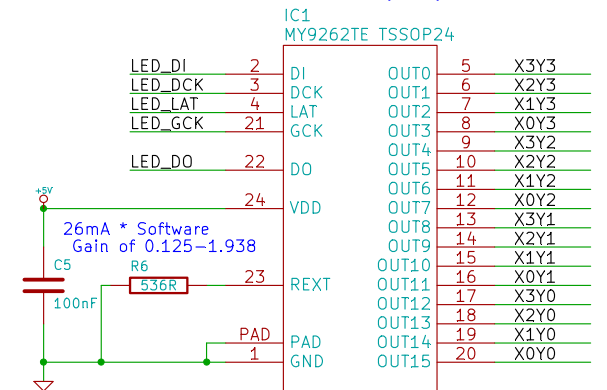
Short across USB_PWR, PWR_LED_ON after routing

LeoStick / Leonardo Compatible MCU



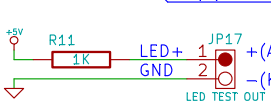
32U4 CKOUT Fuse must be programmed (0) for CLKOUT as System Clock Output to LED_GCK

LED Driver 16 bits per pixel APDM

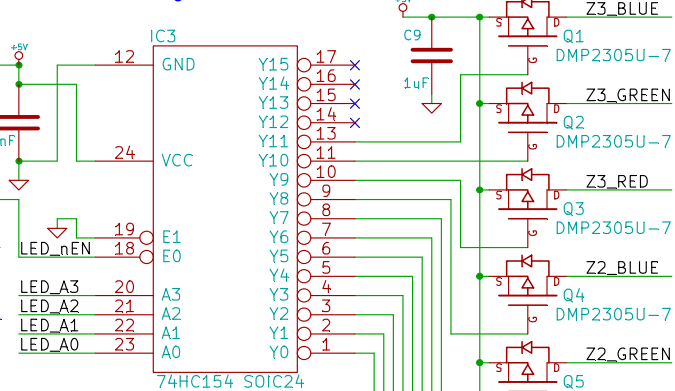


ICSP Header

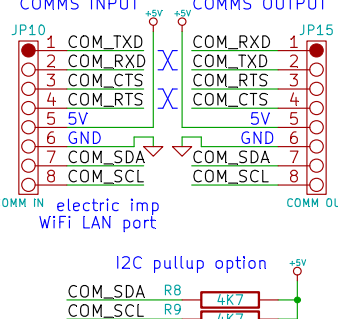
LED Test Output



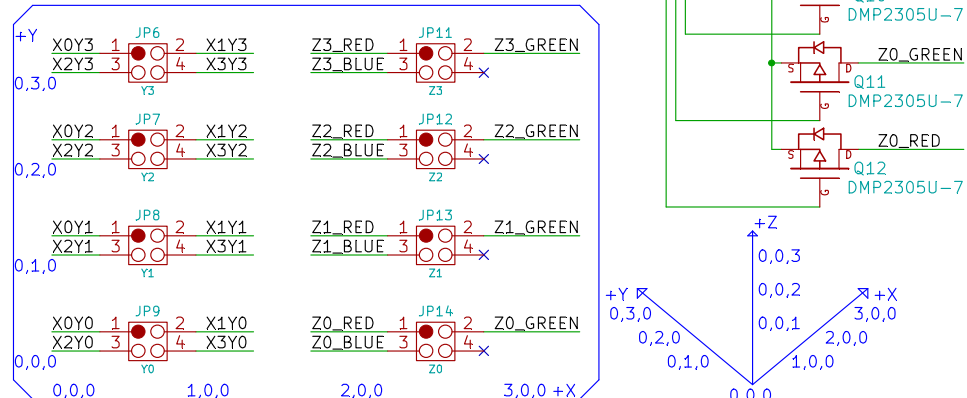
LED Plane High Side Drivers



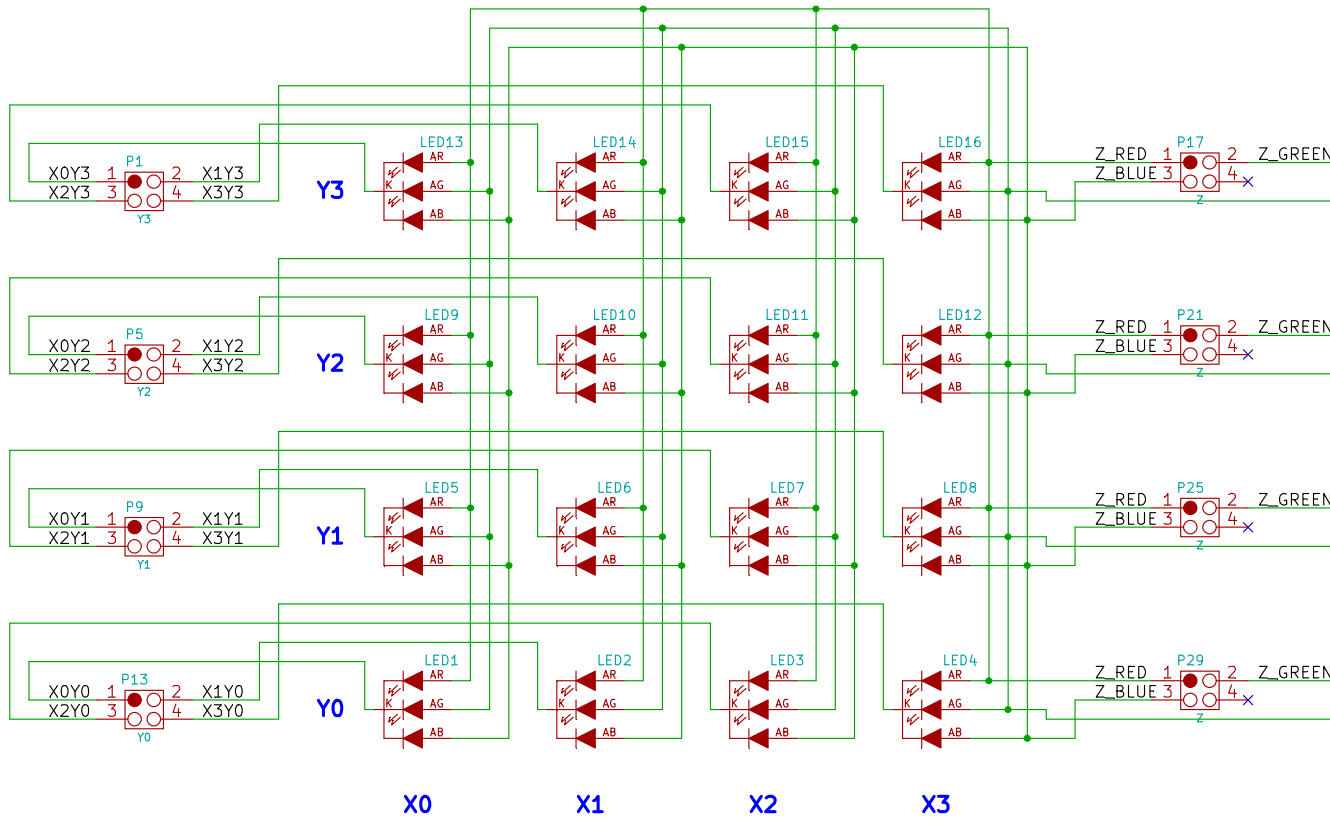
WiFi Port, Communications



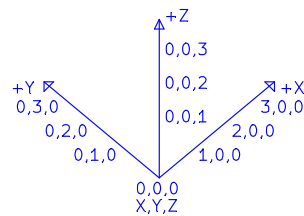
LED Matrix Connections



Freetronics
 File: cube4.sch
 Sheet: /
Title: RGB LED Cube 4x4x4 www.freetronics.com/cube
 Size: A4 Date: 25 jul 2012 Marc Alexander **Rev: 1**
 KiCad E.D.A. eschema (2012-01-19 BZR 3256)-stable Id: 1/1



Qty: 4 pieces of this matrix plane pcb per cube (Z0, Z1, Z2, Z3)



Freetronics		Freetronics ColourCube matrix plane	
File: cube4-matrix-plane.sch		www.freetronics.com/cube	
Sheet: /		Title: RGB LED Cube 4x4x4	
Size: A4	Date: 14 jul 2012	Marc Alexander	Rev: 1
KiCad E.D.A. eeschema (2012-01-19 BZR 3256)-stable		Id: 1/1	

