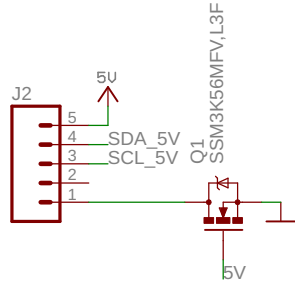


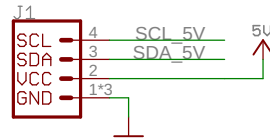
BME688 4-in-1 Air Quality Breakout (PIM575)

(Gas, Temperature, Pressure, Humidity)

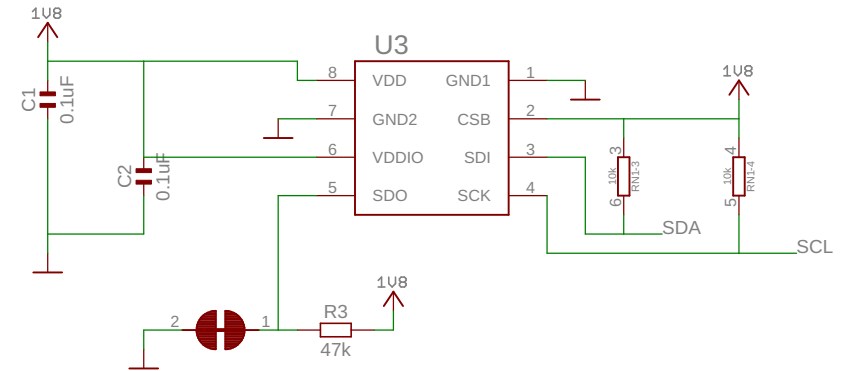
Pin header and reverse protection



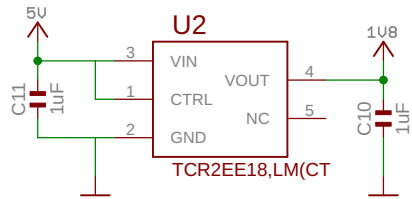
Quiic / Stemma QT Connector



BME688 Sensor and I2C Address Selection Cut Trace



LDO



I2C Level Shifter

