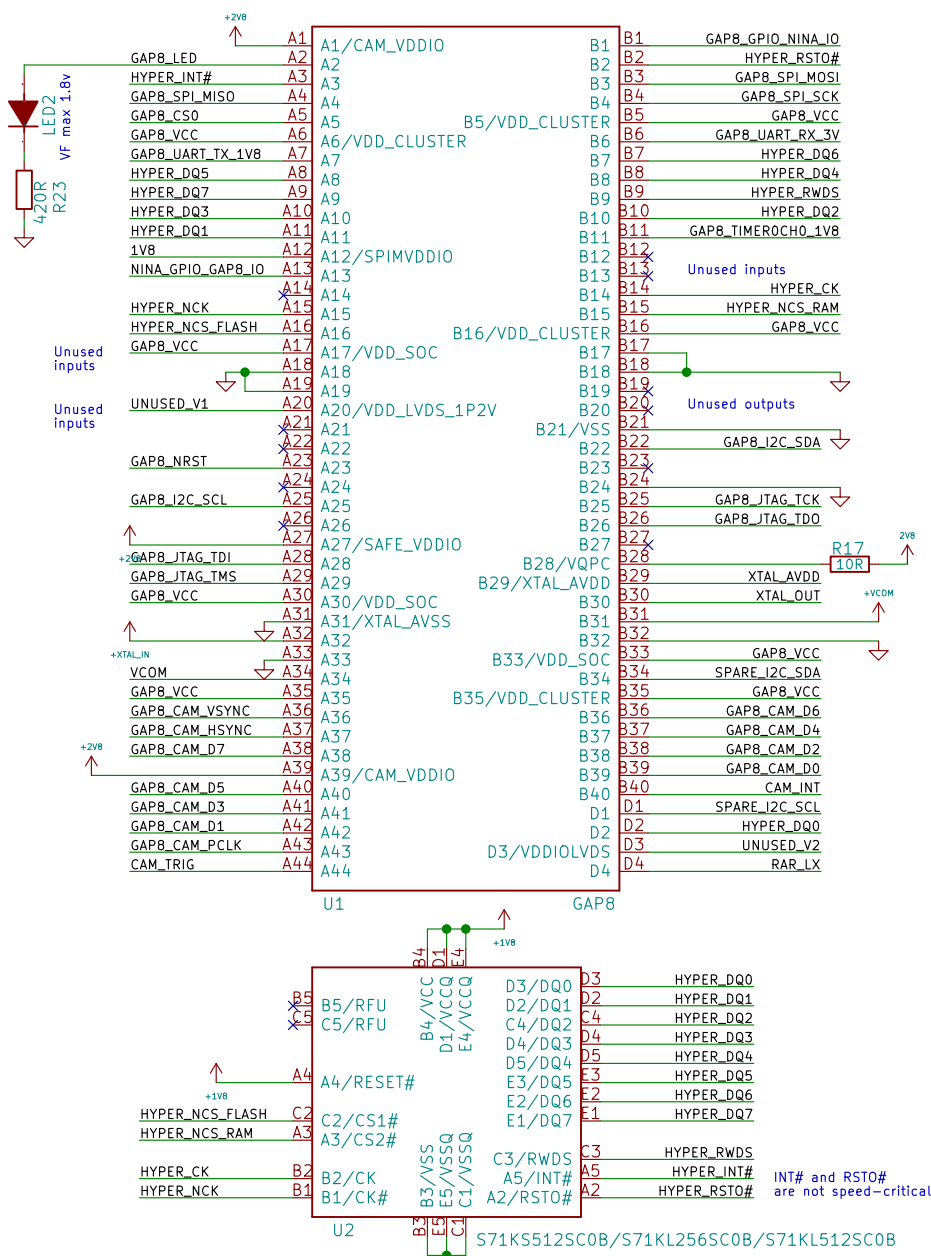
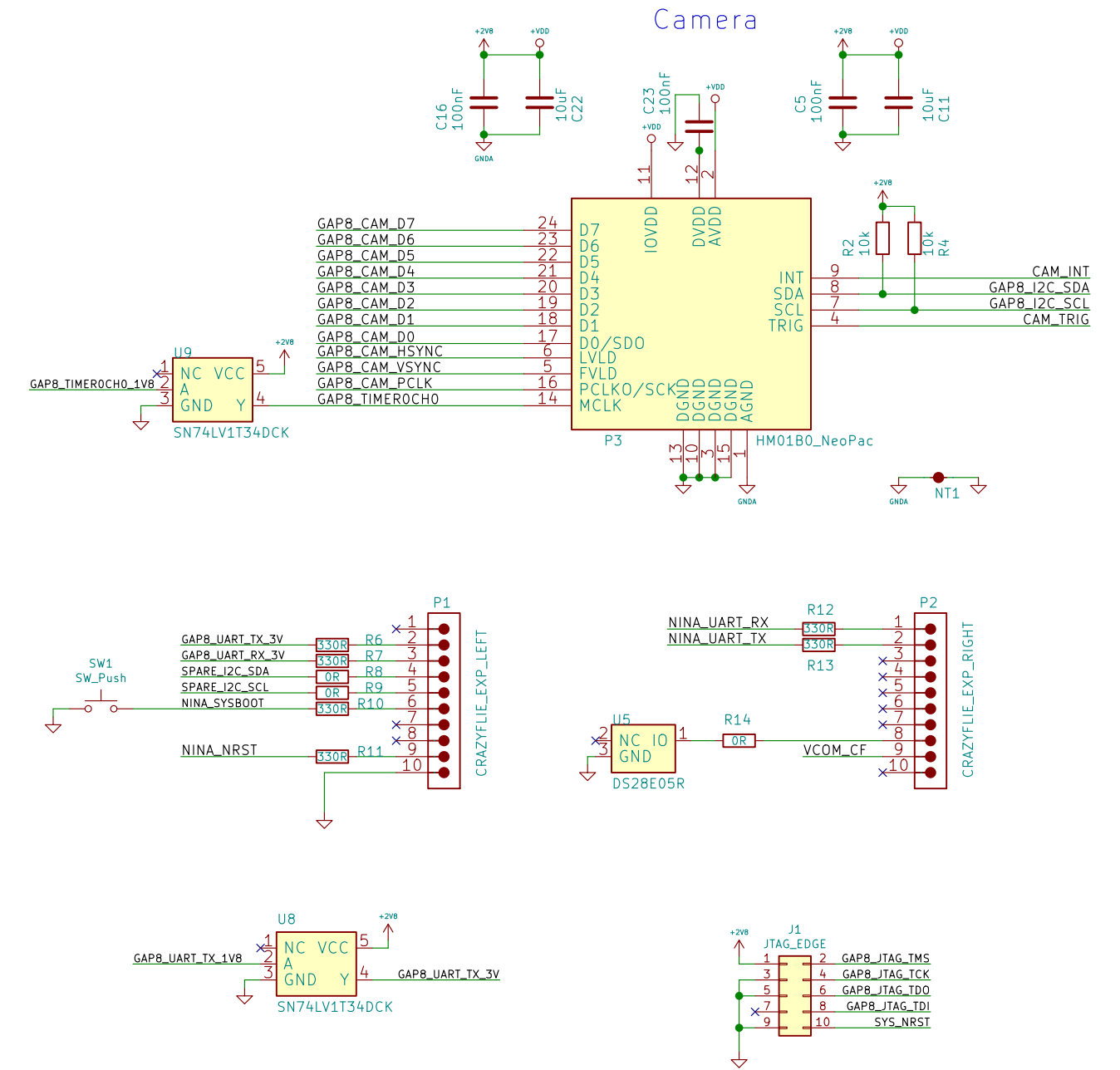
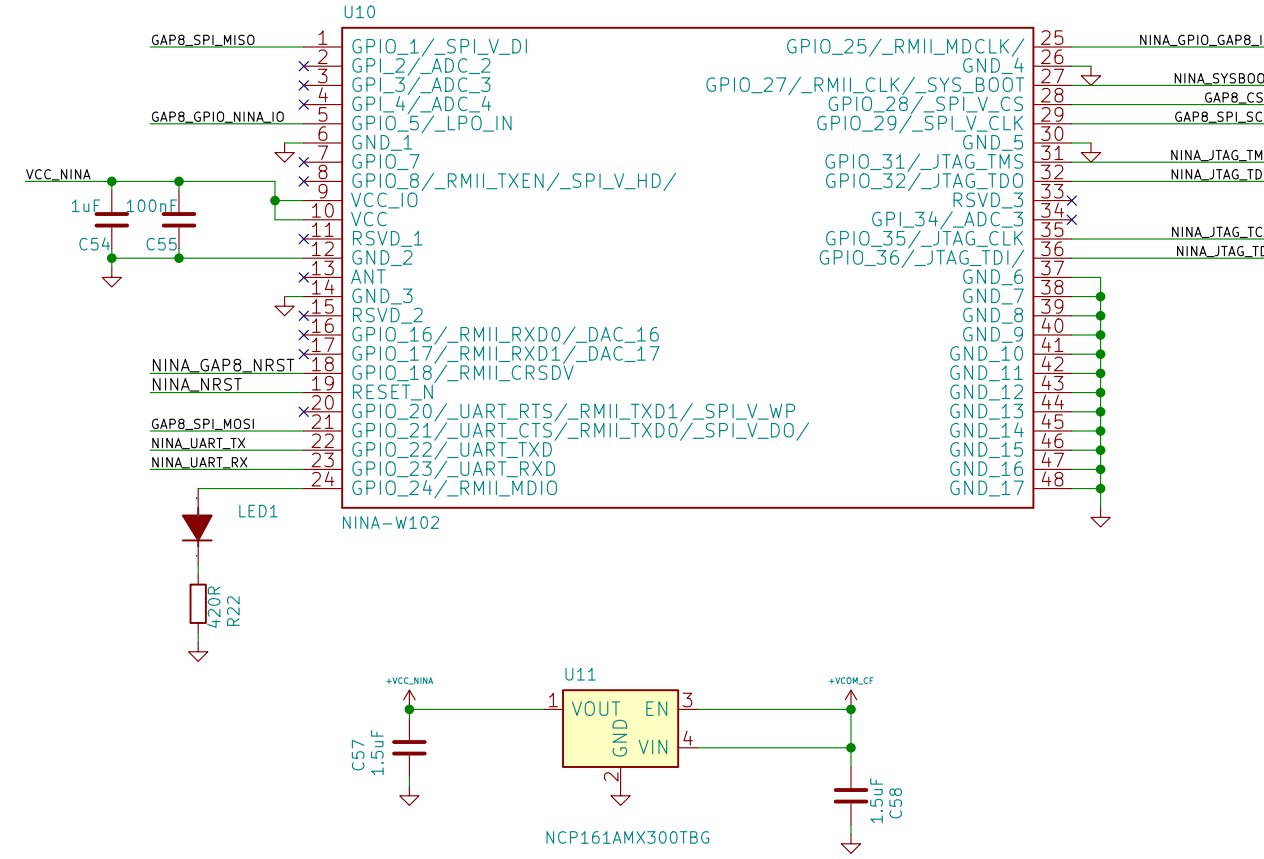
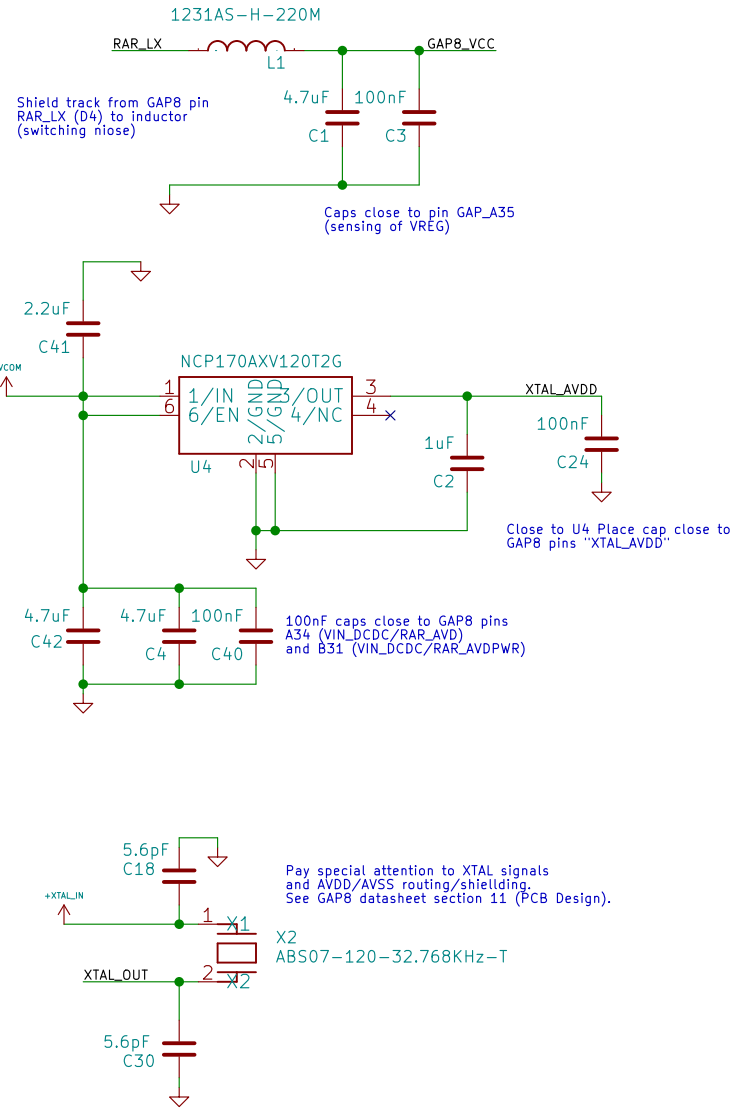
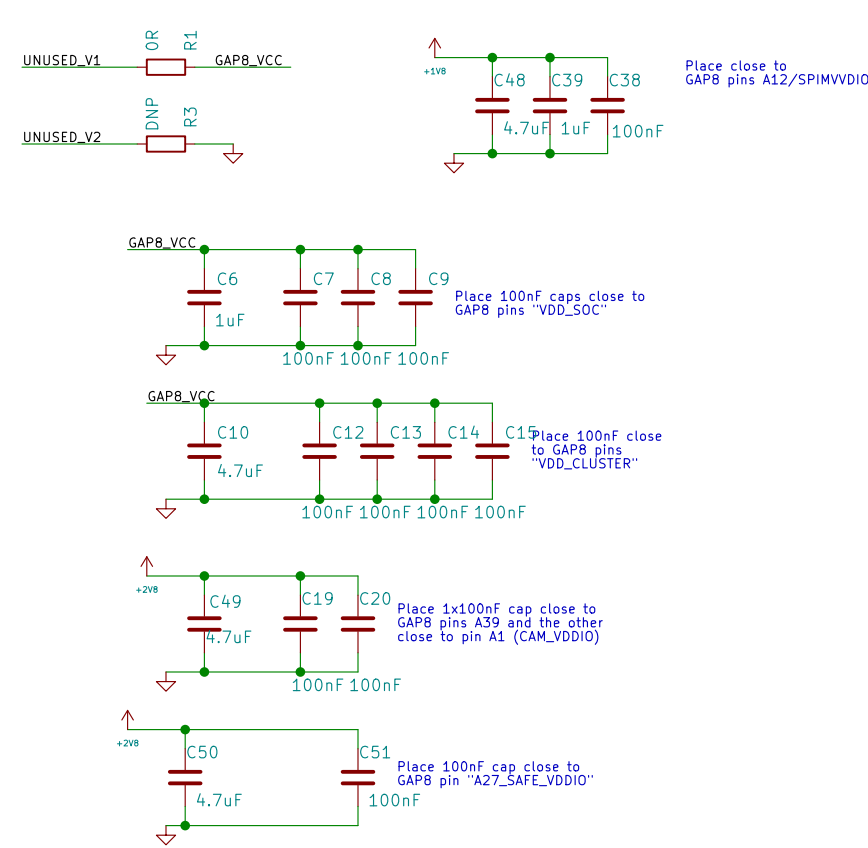


!!! Follow component placement & routing recommendations of GAP8 Datasheet section 11, pp365-66 !!!

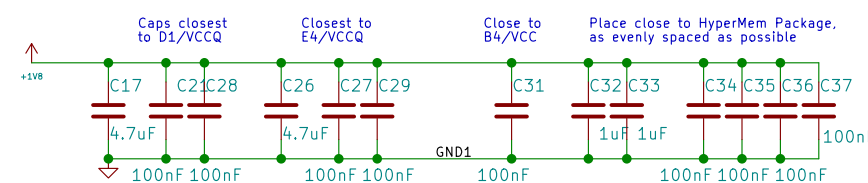


GAP8 AND MEMORY

TBD - Add pull-up on Mem CS ??

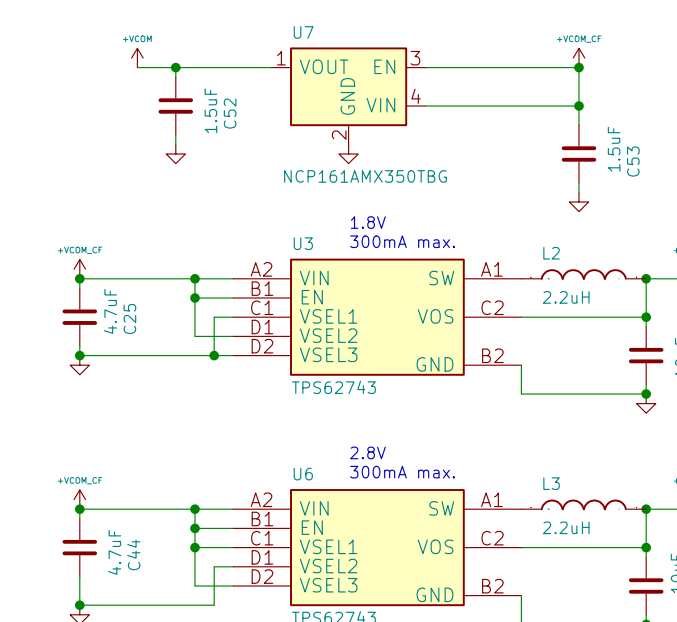


GAP8 POWER SUPPLY DECOUPLING



HYPERMEM DECOUPLING

!!! Follow guidelines of Cypress's AN 211622 "HyperFlash and HyperRAM Layout Guide" !!!



Crazyflie Expansions

POWER

Licence: CC-BY-SA

Sheet: /

File: AI-deck.sch

Title: AI-deck

Size: C Date: 2019-08-08

Rev: Rev.C

KiCad E.D.A. kicad 5.0.2-bee76a070ubuntu18.04.1

Id: 1/1