



# 深圳市煜森照明有限公司

CHINA YUNSUN LED LIGHTING CO., LTD.

TEL: (86) 755-28079401 28079402 28079403 28079404 28079405

FAX: (86) 755-28079407 E-mail: info@100LED.com Web: www.100LED.com

Model No.: YSL-R1031Y2C-D14

### Applications:

- |   |   |
|---|---|
| <input type="checkbox"/> Decorations      | <input type="checkbox"/> Illuminations  |
| <input type="checkbox"/> Advertising Sign | <input type="checkbox"/> Traffic Lights |
| <input type="checkbox"/> Indicators       | <input type="checkbox"/> Flashlights    |

### Absolute Maximum Ratings: (Ta=25 °C) .

ITEMS	Symbol	Absolute Maximum Rating	Unit
Forward Current	I <sub>F</sub>	80	mA
Peak Forward Current	I <sub>FP</sub>	120	mA
Suggestion Using Current	I <sub>su</sub>	65-75	mA
Reverse Current (V <sub>R</sub> =5V)	I <sub>R</sub>	10	uA
Power Dissipation	P <sub>D</sub>	180	mW
Operation Temperature	T <sub>OPR</sub>	-40 ~ 85	°C
Storage Temperature	T <sub>STG</sub>	-40 ~ 100	°C
Lead Soldering Temperature	T <sub>SOL</sub>	Max. 260°C for 3 Sec. Max. (3mm from the base of the epoxy bulb)	

### Absolute Maximum Ratings: (Ta=25 °C)

ITEMS	Symbol	Test condition	Min.	Typ.	Max.	Unit
Forward Voltage	V <sub>F</sub>	I <sub>F</sub> =80mA	2.1	----	2.3	V
Wavelength (nm) or TC(k)	Δλ	I <sub>F</sub> =80mA	585	----	590	NM
*Luminous Intensity	I <sub>v</sub>	I <sub>F</sub> =80mA	10000	----	12000	MCD
50% Viewing Angle	2 θ 1/2	I <sub>F</sub> =80mA	----	30	----	DEGREE

Address: 5/F, Building B, Anzhilong Indl., Qinghua East Road., Longhua Town, Shenzhen CHINA. 518109



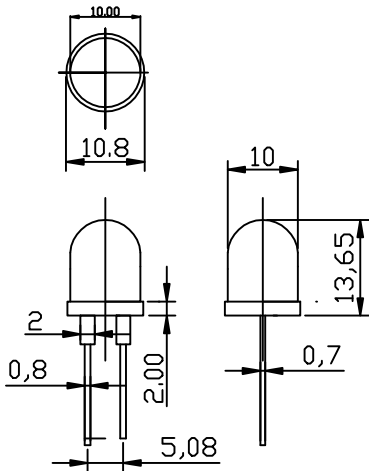
深圳市煜森照明有限公司  
CHINA YUNSUN LED LIGHTING CO., LTD.

TEL: (86) 755-28079401 28079402 28079403 28079404 28079405  
FAX: (86) 755-28079407 E-mail: info@100LED.com Web: www.100LED.com

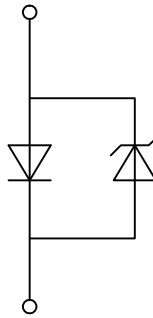
**Mechanical Dimensions:**

- All dimension are in mm, tolerance is  $\pm 0.2\text{mm}$  unless otherwise noted
- An epoxy meniscus may extend about 1.5mm down the leads.
- Burr around bottom of epoxy may be 0.5mm Maximum

Unit: mm

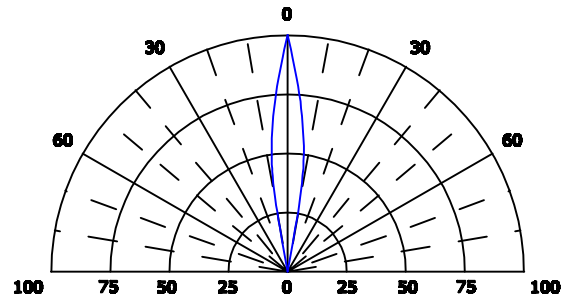


Anode



Cathode

**Viewing Angle Drawing**





深圳市煜森照明有限公司

CHINA YUNSUN LED LIGHTING CO., LTD.

TEL: (86) 755-28079401 28079402 28079403 28079404 28079405

FAX: (86) 755-28079407 E-mail: Info@100LED.com Web: www.100LED.com

**Code System:**

YSL-R1031Y2C-D14



■ 1. Company Code, short for Young Sun

■ 2. Code for LED series.

■ 3. Code for LED Type.

R: Round B: Bullet C: Columnar O: Oval  
H: Helmet Q: Square V: Concave P: Pagoda  
S: Strawhat D: Special

■ 4. Code for LED Lens Type.

■ 5. Code for Lead Frame of LED

■ 6. Code for Lead Frame Code of LED

■ 7. Code for Wavelength Color

■ 8. Code for Lens color

C: Water Clear W: White Diffused D: Color Diffused T: Color Transparent

■ 9. Code for Viewing Angle

A: 1-10 B: 10-20 C: 20-30 D: 30-40 E: 40-60 F: 60-90 G: 90-120 H: >120

■ 10. Luminous Intensity Grade:

1: 1-50mcd	4: 200-300mcd	7: 800-1000mcd	10: 2000-3000mcd	14: 10000-13000mcd
2: 50-100mcd	5: 300-500mcd	8: 1000-1500mcd	11: 3000-5000mcd	15: 13000-15000mcd
3: 100-200mcd	6: 500-800mcd	9: 1500-2000mcd	12: 5000-8000mcd	16: 15000-20000mcd
			13: 8000-10000mcd	17: 20000~mcd

**Notes:**

- In order to make the life longer, please set the input current below 80mA.
- Electrical & Optical Characteristics consistency of same items all shipments.
- Please use LEDs based on our datasheet.
- LED is sensitive to statics, be sure your equipments are anti-static when you use our LEDs.
- Pay more attention to your heat dissipation system when you use it, the better heat dissipation, the longer LED lifespan.