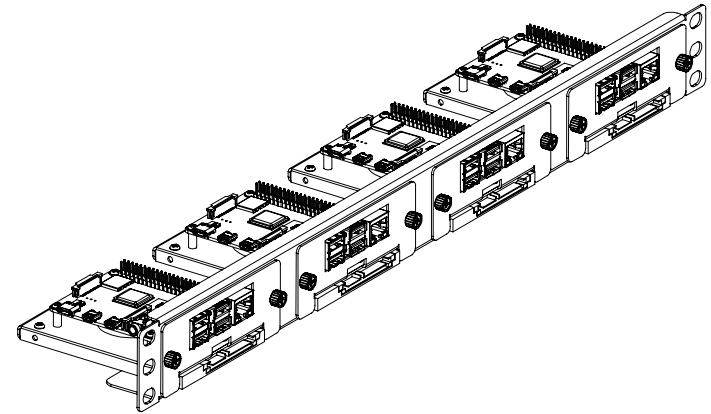
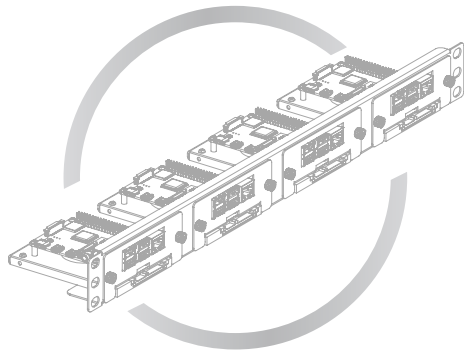


UCTRONICS

ASSEMBLY GUIDE

SKU: U6261



CONTACT US

If any problem, feel free to contact us.

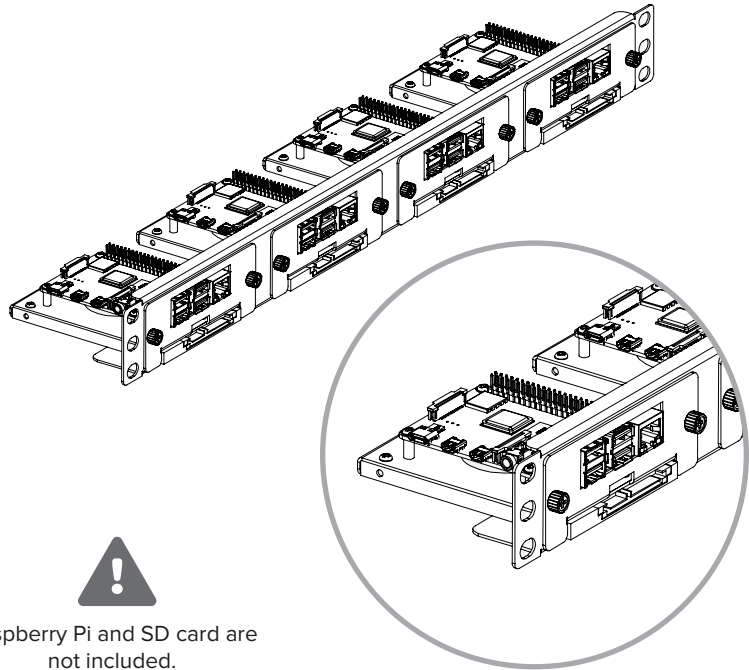
Website: www.uctronics.com

Email: support@uctronics.com



www.uctronics.com

Package Contents



Assembly Steps

