



LCD MODULE SPECIFICATION

Customer: _____

Module No.: TL040HDS20-B1502A

Date: 2022-12-12

Version: 2.0

For Customer's Acceptance:

Approved by	Comment

Approved by	Checked by	Prepared by
Kanglin.Zhong	Fuping.Wang	Zaiping.Yang



Table of Contents

Record of Revision	3
1 General Specifications	4
2 Pin Assignment	5
3 Absolute Maximum Ratings	5
4. Electrical Characteristics	6
5 Timing Chart	7
6 Optical Characteristics	11
7 Environmental / Reliability Test	14
8 Mechanical Drawing	15
9 Precautions for Use of LCD Modules	16

1 General Specifications

No.	Item	Specification	Remark
1	LCD Size	4.0 inch (Diagonal)	
2	Driver Element	a-Si TFT active matrix	
3	Resolution	720 (RGB) × 720	
4	Display Mode	Normally Black	
5	Pixel Pitch(mm)	0.0999 (H) × 0.0999 (V)	
6	Display Colors	262K	
7	Surface Treatment	--	
8	Color Arrangement	RGB-Stripe	
9	Interface	3 line SPI+18B RGB	
10	Viewing Direction	ALL	
11	Gray Scale Inversion Direction	--	Note 1
12	Outline Dimension (mm)	74.83(W) × 78.98 (H) × 1.46 (T)	
13	Active Area (mm)	71.93 (W) × 71.93 (H)	
14	Touch Screen	Without CTP	
15	Display Driver IC	Y17B	
16	Touch Driver IC	--	

Note 1: Viewing direction for best image quality is different from TFT definition. There is a 180° shift.

Note 2: RoHS compliant.

2 Pin Assignment

2.1 LCD Pin assignment

Match connector: XF2M-4015-1A (OMRON) or equivalent.

PIN	Symbol	I/O	Description	Remark
1	LEDA	p	LED Anode	
2	LEDK1	p	LED Cathode1	
3	LEDK2	p	LED Cathode2	
4	GND	P	Power Ground	
5	VCI	P	Power Supply 2.8V	
6	RESET	I	Reset pin	
7	IM1(NC)	-	Not connection	
8	IM0(NC)	-	Not connection	
9	SDA	I	Serial interface DATA Input/Output.	
10	SCK	I	SPI interface clock input.	
11	CS	I	Chip selection signal	
12	PCLK	I	Pixel clock signal in RGB I/F mode.	
13	DE	I	Data enable signal in RGB I/F mode.	
14	VSYNC	I	Vertical synchronizing signal.	
15	HSYNC	I	Horizontal synchronizing signal .	
16~33	DB0~DB17	I	RGB data signal (DB0~DB5: B0~B5; DB6~DB11:G0~G5; DB12~DB17:R0~R5)	
34	GND	P	Power Ground	
35	TP_INT(NC)	-	Touch Interrupt,Not connection	
36	TP_SDA(NC)	-	Touch IIC Data signal,Not connection	
37	TP_SCL(NC)	-	Touch IIC Clock signal,Not connection	
38	TP_RESET(NC)	-	Touch Reset Signal,Not connection	
39	TP_VCI(NC)	-	Touch Power supply,Not connection	
40	GND	P	Power Ground	

I---Input, O---Output, P--- Power/Ground

3 Absolute Maximum Ratings

Ta = 25°C

Item	Symbol	Min.	Max.	Unit	Remark
Power Voltage	VCI	-0.50	4.2	V	
Operating Temperature	Top	-20.0	70.0	°C	
Storage Temperature	T _{st}	-30.0	80.0	°C	
Operating and Storage Humidity	H _{stg}	10%	90%	%(RH)	

4. Electrical Characteristics

4.1 Recommended Operating Condition

VCI=3.3V, GND=0V, Ta = 25°C

Item	Symbol	Min.	Typ.	Max.	Unit	Remark
LCM supply Voltage	VCI	2.8	3.0	3.3	V	
Input logic high voltage	VIH	0.7VCI	-	VCI	V	R0~R5, G0~G5, 0~B5, DE, DCLK, HSYNC, VSYNC, MODE, RESET,
Input logic low voltage	VIL	0		0.3VCI	V	
Current of LCM supply Voltage	I _{VCI}	-	-	65	mA	VCI=3.3V, color bar pattern

4.2 Backlight Unit Driving Condition

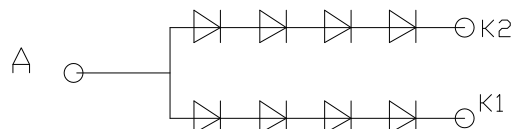
Item	Symbol	Min.	Typ.	Max.	Unit	Remark
Forward Current	I _F	-	40	50	mA	8 LEDs (4 LED Serial, 2LED Parallel)
Forward Current Voltage	V _F	-	12.8	14	V	
Backlight Power Consumption	W _{BL}	-	512	700	mW	
Operating Life Time	--	30000	--	--	hrs	Note 2, Note 3

Note1: The LED driving condition is defined for each module (4 LED Serial, 2 LED Parallel).

Note2: When LCM is operated, the stable forward current should be inputted. And forward voltage is for reference only.

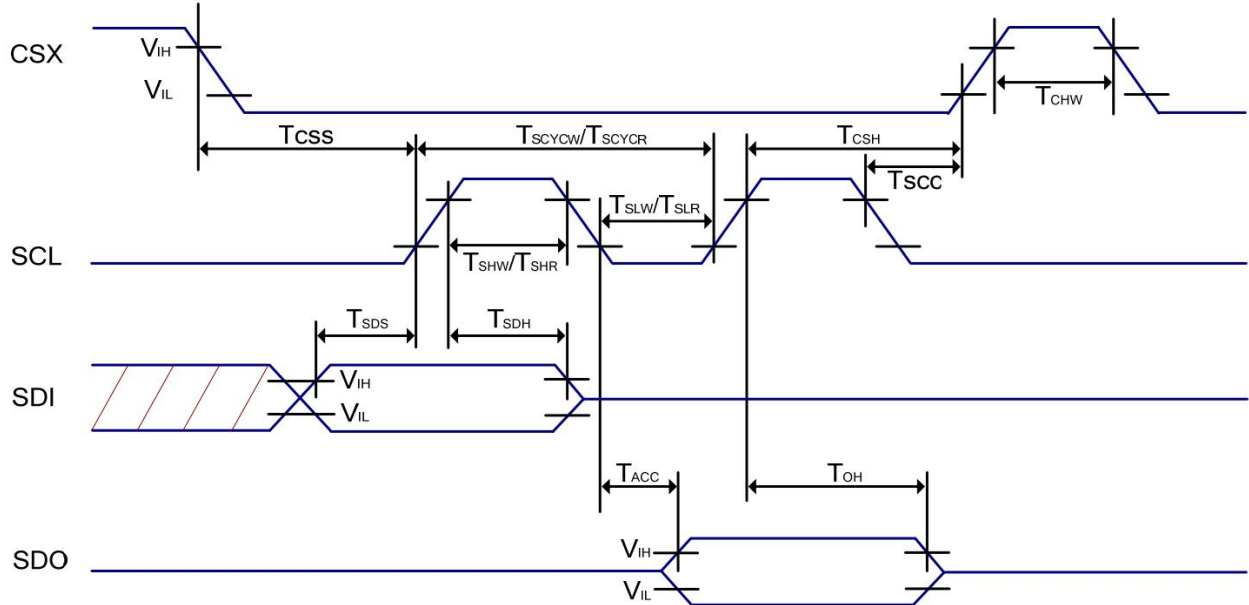
Note3: Optical performance should be evaluated at Ta=25°C When LED is driven at high current, high ambient temperature & humidity condition. The life time of LED will be reduced. Operating life means brightness goes down to 50% initial brightness. Typical operating life time is estimated data.

Note4: The LED driving condition is defined for each LED module.



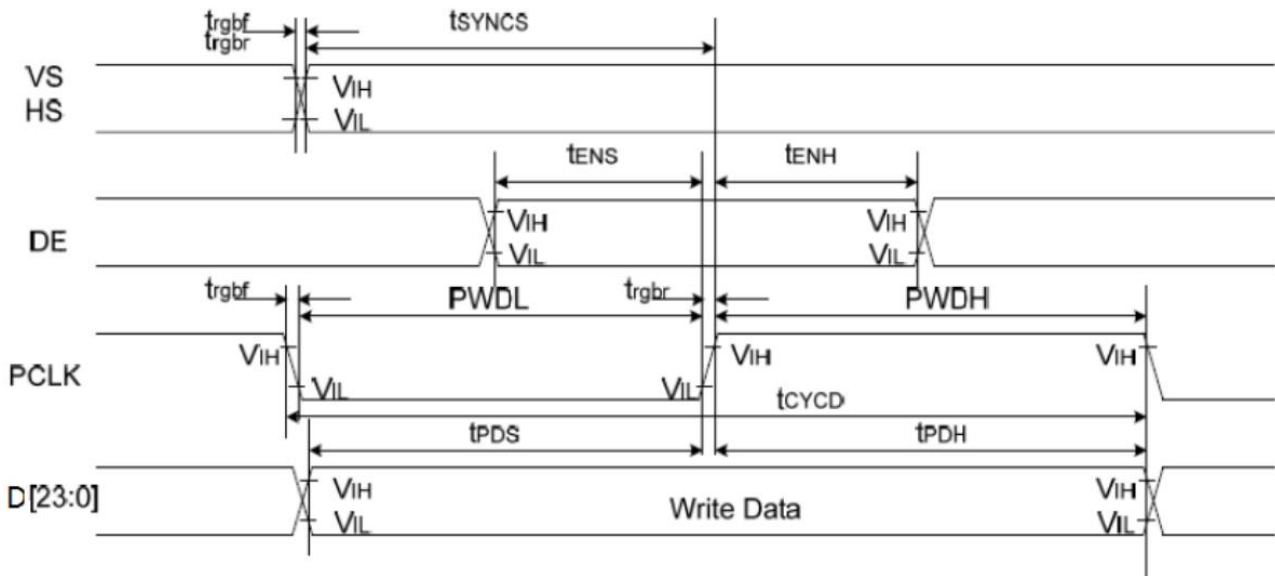
5 Timing Chart

5.1 Serial Interface Characteristics(3Line)



Signal	Symbol	Parameter	MIN	MAX	Unit	Description
CSX	T _{css}	Chip select setup time	15	-	ns	-
	T _{csh}	Chip select hold time	15	-	ns	
	T _{scc}	Chip select setup time	20	-	ns	
	T _{chw}	Chip "H" pulse width	40	-	ns	
SCL	T _{scyww}	Serial clock cycle (Write)	66	-	ns	-
	T _{shw}	SCL "H" pulse width (Write)	10	-	ns	
	T _{slw}	SCL "L" pulse width (Write)	10	-	ns	
	T _{scywr}	Serial clock cycle (Read)	150	-	ns	-
	T _{shr}	SCL "H" pulse width (Read)	60	-	ns	
	T _{slr}	SCL "L" pulse width (Read)	60	-	ns	
SDI	T _{sdS}	Data setup time	10	-	ns	-
	T _{sdh}	Data hold time	10	-	ns	
	T _{acc}	Access time	10	50	ns	For maximum C _L =30pF For minimum C _L =8pF
	T _{oh}	Output disable time	15	50	ns	

5.2 TFT-LCD RGB Input Timing



Signal	Symbol	Parameter	min	max	Unit	Description
VS/HS	t_{SYNCS}	VS/HS setup time	5	-	ns	24/18/16-bit bus RGB interface mode
	t_{SYNCH}	VS/HS hold time	5	-	ns	
DE	t_{ENS}	DE setup time	5	-	ns	
	t_{ENH}	DE hold time	5	-	ns	
D[23:0]	t_{POS}	Data setup time	5	-	ns	
	t_{PDH}	Data hold time	5	-	ns	
PCLK	$PWDH$	PCLK high-level period	13	-	ns	
	$PWDL$	PCLK low-level period	13	-	ns	
	t_{CYCD}	PCLK cycle time	28	-	ns	
	t_{rgr}, t_{rgbf}	PCLK, HS, VS rise/fall time	-	15	ns	

5.3 Recommended Timing Setting of TCON

TCON (Embedded in Source IC) Input Timing (DCLK, HS, VS, DE)

DVDD=3.3V, GND=0V, Ta=25°C

Parameter	Symbol	Min.	Typ.	Max.	Unit	Remark
DCLK	Fclk	-	35	-	MHz	
	tclk	-	28	-	ns	
HSD	thd	-	720	-	tclk	
	thpw	-	2	-	tclk	
	thb	-	46	-	tclk	
	thfp	-	44	-	tclk	
VSD	tvd	-	720	-	th	
	tvpw	-	2	-	th	
	tvb	-	18	-	th	
	tvfp	-	16	-	th	

Note: For reference only, it needs to be adjusted according to the actual display effect.

5.4 Reset timing

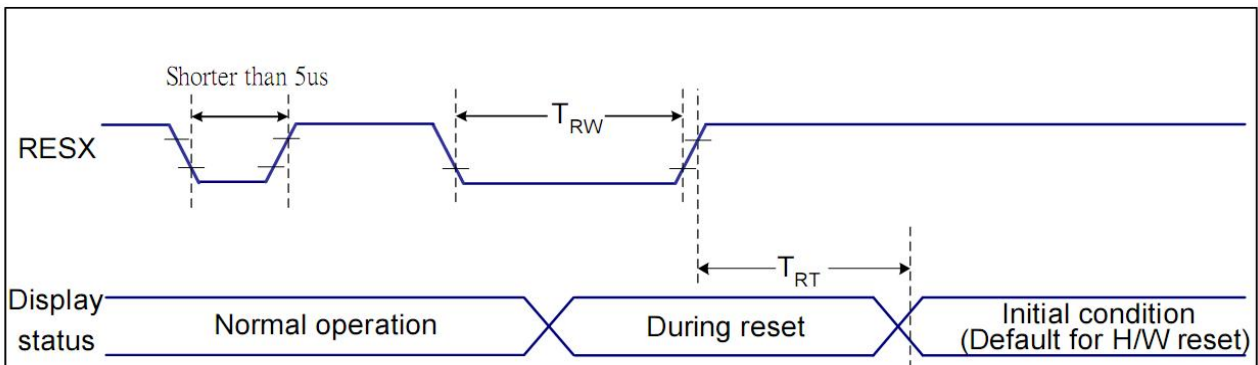


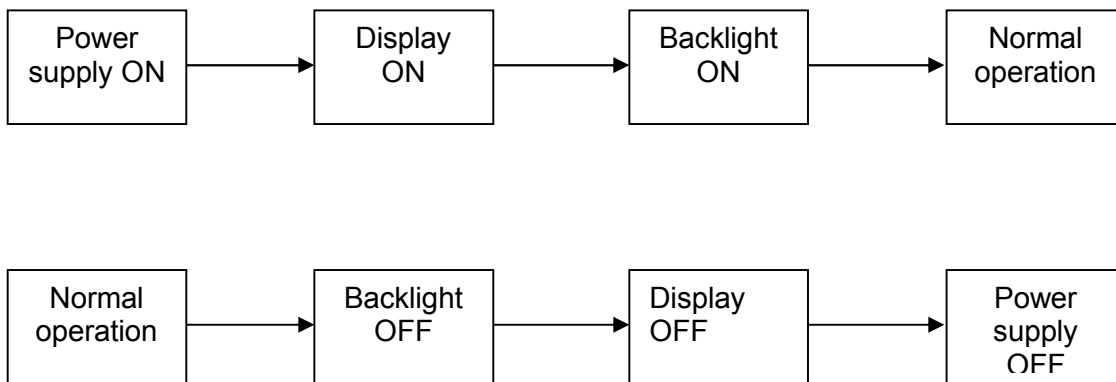
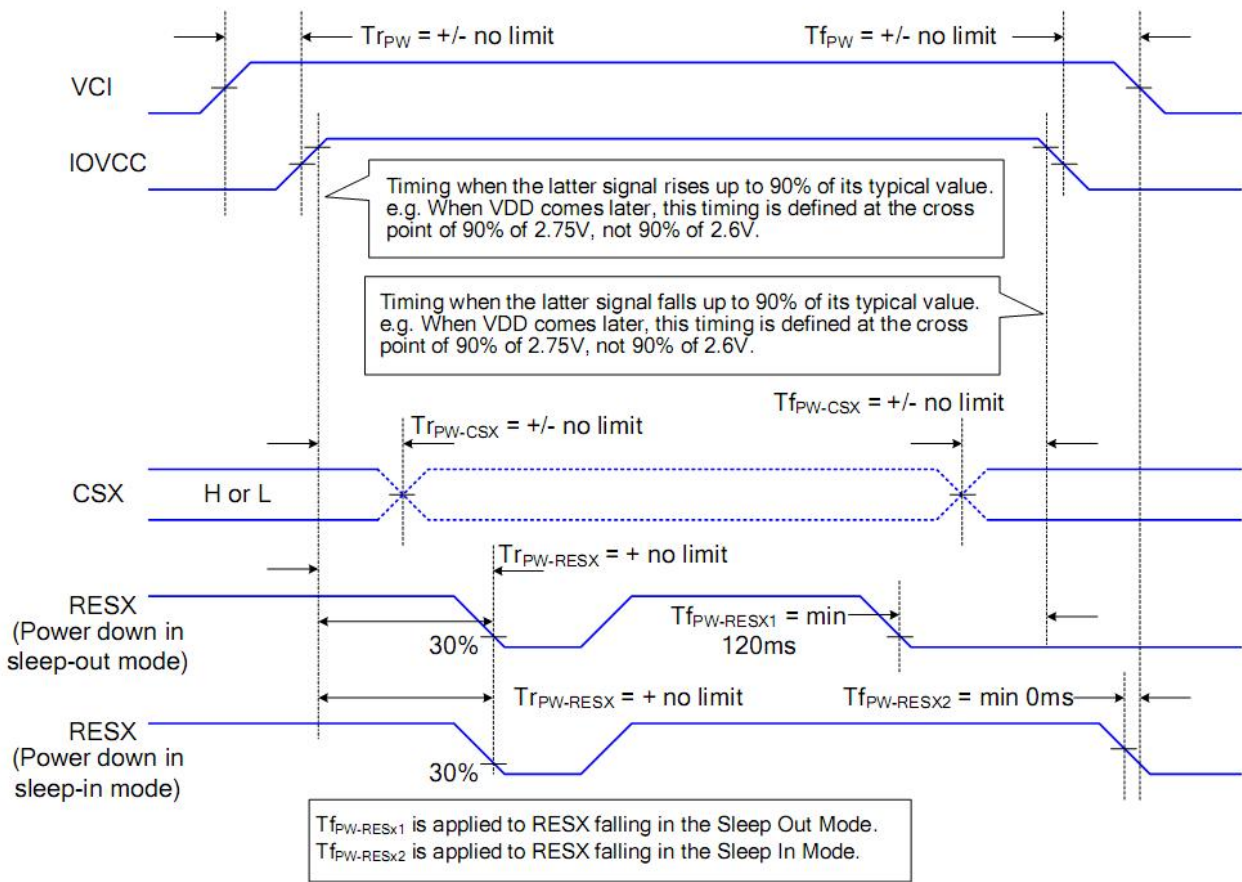
Figure Reset Timing

IOVCC=1.65 to 3.3V, VCI=2.6 to 3.3V, AGND=DGND=0V, \bar{a} =25°C

Related Pins	Symbol	Parameter	MIN	MAX	Unit
RESX	TRW	Reset pulse duration	10	-	us
	TRT	Reset cancel		5	ms
				120	ms

Table Reset Timing

5.5 POWER ON/OFF SEQUENCE : (VCI=IOVCC)



6 Optical Characteristics

Ta=25°C

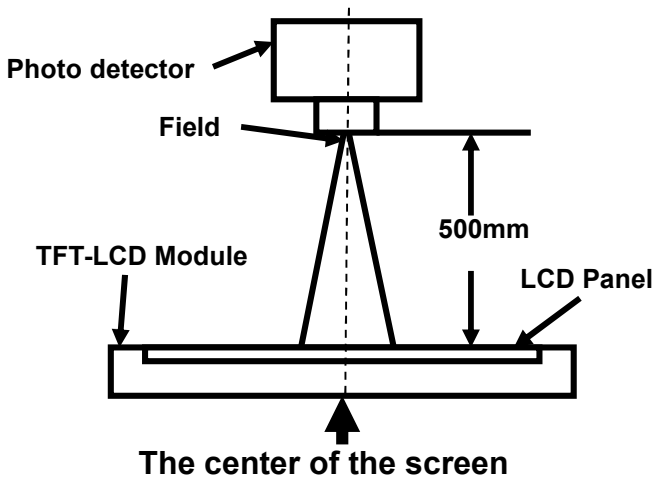
Item	Symbol	Condition	Min.	Typ.	Max.	Unit	Remark	
View Angles	θT	$CR \geq 10$	80	85	-	Degree	Note 2	
	θB		80	85	-			
	θL		80	85	-			
	θR		80	85	-			
Contrast Ratio	CR	$\theta=0^\circ$	800	1000	-		Note1 Note3	
Response Time	T_{ON}	25°C	25	35	-	ms	Note1 Note4	
	T_{OFF}							
Chromaticity	White	Backlight is on	x	0.281	0.296	0.311		Note1 Note5
			y	0.304	0.319	0.334		
	Red		x	0.635	0.650	0.665		
			y	0.303	0.318	0.333		
	Green		x	0.248	0.263	0.278		
			y	0.550	0.565	0.580		
	Blue		x	0.125	0.140	0.155		
			y	0.071	0.086	0.101		
Uniformity	U		80	85	-	%	Note1 Note6	
NTSC			63	68	-	%	Note 5	
Luminance	L		-	330	-	cd/m ²	Note1 Note7	

Test Conditions:

1. $I_F=40\text{ mA}$, $V_F=12.8\text{V}$ and the ambient temperature is $25\pm 2^\circ\text{C}$.humidity is $65\pm 7\%$
2. The test systems refer to Note 1 and Note 2.

Note 1: Definition of optical measurement system.

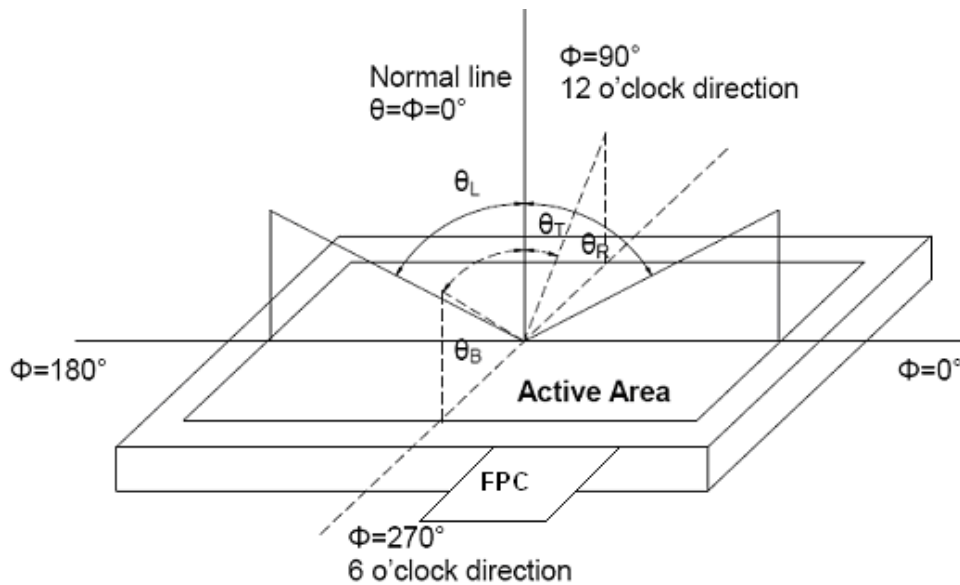
Properties are measured at the center point of the LCD screen. All input terminals LCD panel must be ground when measuring the center area of the panel.



Item	Photo detector	Field
Contrast Ratio	SR-3A	1°
Luminance		
Chromaticity		
Lum Uniformity		
Response Time	BM-7A	2°

Note 2: Definition of viewing angle range and measurement system.

Viewing angle is measured at the center point of the LCD by CONOSCOPE(ergo-80).



Note 3: Definition of contrast ratio

$$\text{Contrast ratio (CR)} = \frac{\text{Luminance measured when LCD on the "White" state}}{\text{Luminance measured when LCD on the "Black" state}}$$

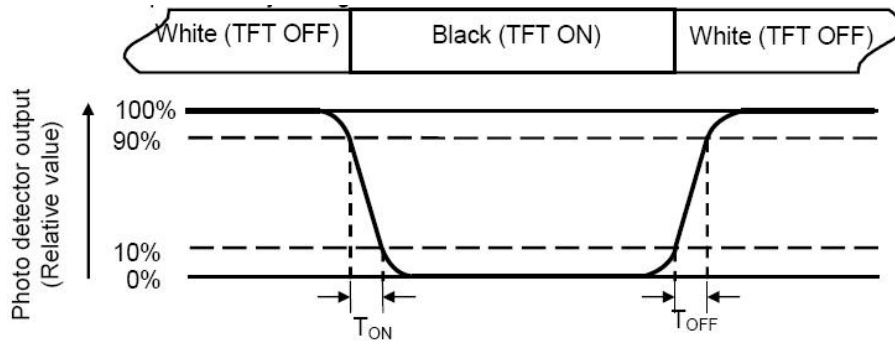
“White state “: The state is that the LCD should drive by V_{white}.

“Black state” : The state is that the LCD should drive by V_{black}.

V_{white}: To be determined V_{black}: To be determined.

Note 4: Definition of response time

The response time is defined as the LCD optical switching time interval between “White” state and “Black” state. Rise time (T_{ON}) is the time between photo detector output intensity changed from 90% to 10%. And fall time (T_{OFF}) is the time between photo detector output intensity changed from 10% to 90%.



Note 5: Definition of color chromaticity (CIE1931)

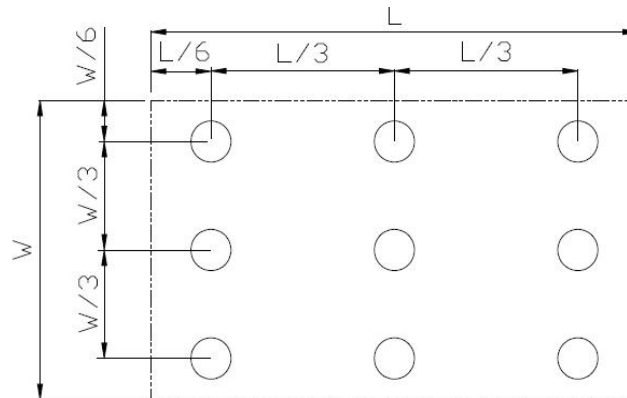
Color coordinates measured at center point of LCD.

Note 6: Definition of luminance uniformity

Active area is divided into 9 measuring areas (Refer Fig. 2). Every measuring point is placed at the center of each measuring area.

$$\text{Luminance Uniformity (U)} = L_{\min} / L_{\max}$$

L-----Active area length W----- Active area width



L_{\max} : The measured Maximum luminance of all measurement position.

L_{\min} : The measured Minimum luminance of all measurement position.

Note 7: Definition of luminance:

Measure the luminance of white state at center point.

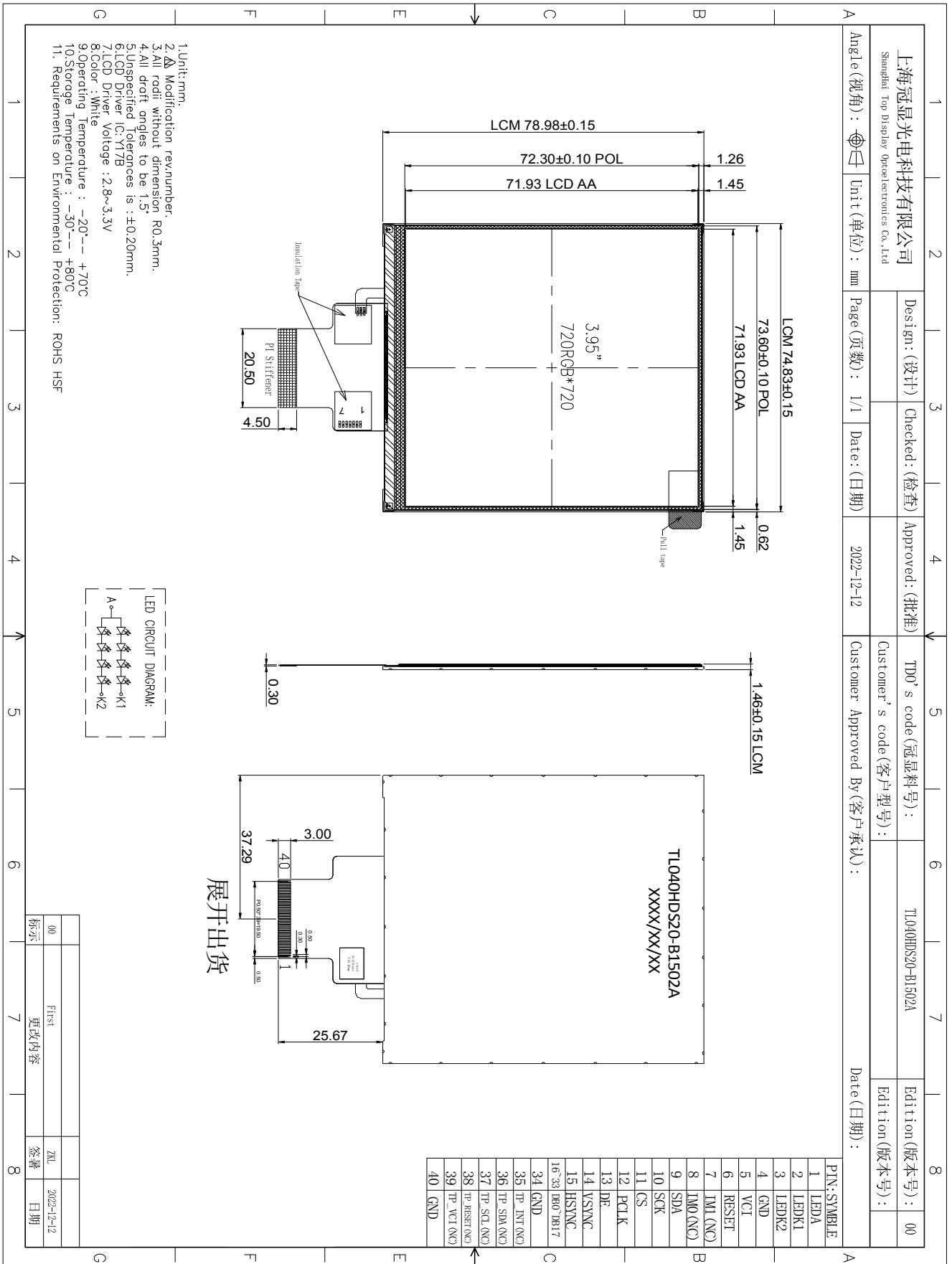
7 Environmental / Reliability Test

No	Test Item	Condition	Remarks
1	High Temperature Operation	T _s = +70°C, 240 hours	No abnormalities in functions
2	Low Temperature Operation	T _a = -20°C, 240 hours	No abnormalities in functions
3	High Temperature Storage	T _a = +80°C, 240 hours	No abnormalities in functions
4	Low Temperature Storage	T _a = -30°C, 240 hours	No abnormalities in functions
5	Storage at High Temperature and Humidity	T _a = +60°C, 90% RH max, 240 hours	No abnormalities in functions
6	Thermal Shock (non-operating)	-30°C 30 min ~ +70°C 30 min, Change time: 0.5 hour @ 5 min @ 0.5 hour. 10 Cycle	Start with cold temperature, End with high temperature,
7	ESD	C=150pF, R=330Ω, 5point/panel Air: ±8Kv, 5times; Contact: ±4Kv, 5times (Environment: 15°C ~ 35°C, 30% ~ 60%. 86Kpa ~ 106Kpa)	No abnormalities in functions

Note1: T_s is the temperature of panel's surface.

Note2: T_a is the ambient temperature of samples.

8 Mechanical Drawing



9 Precautions for Use of LCD Modules

Handling Precautions

9.1.1 The display panel is made of glass. Do not subject it to a mechanical shock by dropping it from a high place, etc.

9.1.2 If the display panel is damaged and the liquid crystal substance inside it leaks out, be sure not to get any in your mouth, if the substance comes into contact with your skin or clothes, promptly wash it off using soap and water.

9.1.3 Do not apply excessive force to the display surface or the adjoining areas since this may cause the color tone to vary.

9.1.4 The polarizer covering the display surface of the LCD module is soft and easily scratched. Handle this polarizer carefully.

9.1.5 If the display surface is contaminated, breathe on the surface and gently wipe it with a soft dry cloth. If still not completely clear, moisten cloth with one of the following solvents:

- Isopropyl alcohol
- Ethyl alcohol

Solvents other than those mentioned above may damage the polarizer. Especially, do not use the following:

- Water
- Ketone
- Aromatic solvents

9.1.6 Do not attempt to disassemble the LCD Module.

9.1.7 If the logic circuit power is off, do not apply the input signals.

9.1.8 To prevent destruction of the elements by static electricity, be careful to maintain an optimum work environment.

9.1.8.1 Be sure to ground the body when handling the LCD Modules.

9.1.8.2 Tools required for assembly, such as soldering irons, must be properly ground.

9.1.8.3 To reduce the amount of static electricity generated, do not conduct assembly and other work under dry conditions.

9.1.8.4 The LCD Module is coated with a film to protect the display surface. Be care when peeling off this protective film since static electricity may be generated.

Storage Precautions

9.2.1 When storing the LCD modules, avoid exposure to direct sunlight or to the light of fluorescent lamps.

9.2.2 The LCD modules should be stored under the storage temperature range. If the LCD modules will be stored for a long time, the recommend condition is: Temperature : 0°C ~ 40°C Relatively humidity: ≤80%

9.2.3 The LCD modules should be stored in the room without acid, alkali and harmful gas.

Transportation Precautions

9.3.1 The LCD modules should be no falling and violent shocking during transportation, and also should avoid excessive press, water, damp and sunshine.