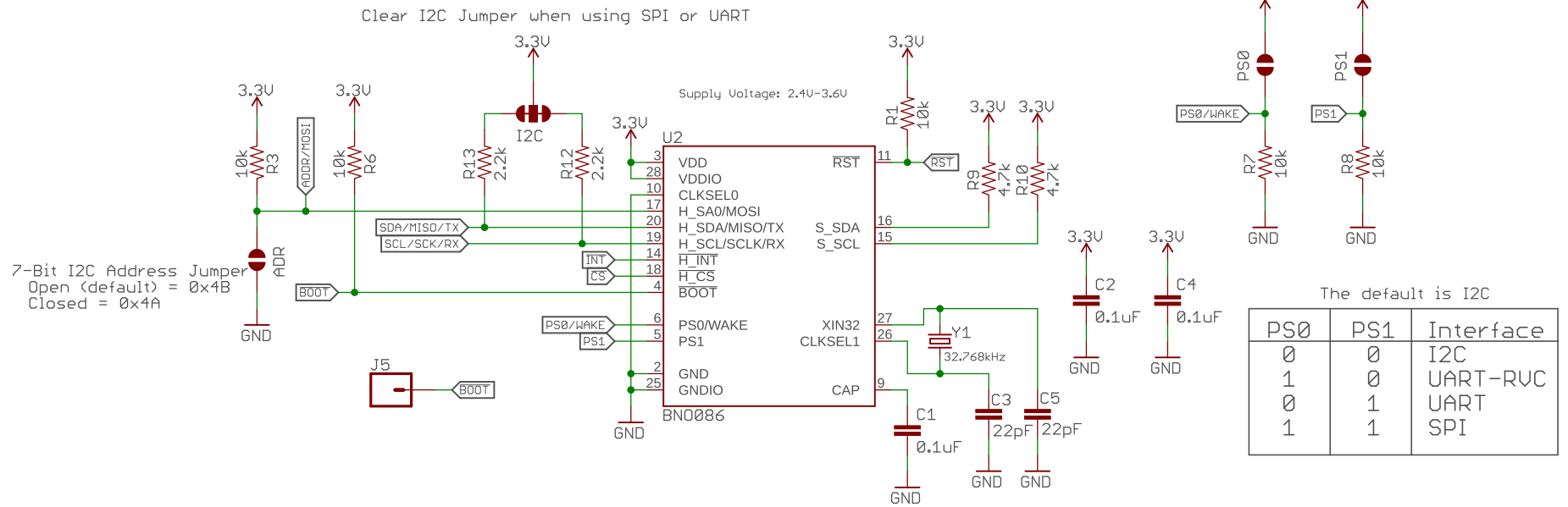
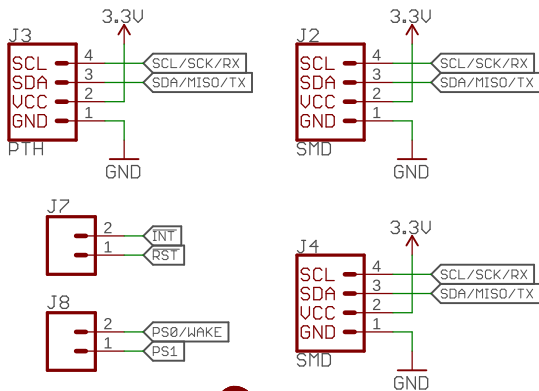


# IMU



## I<sup>2</sup>C

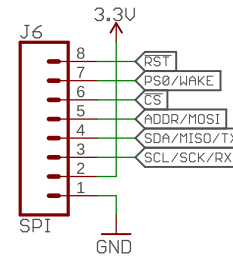


## Power LED

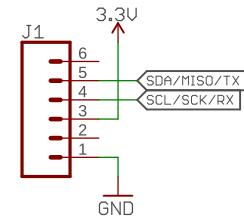
Clear LED Jumper to disable Power LED



## SPI



## UART



Released under the Creative Commons Attribution Share-Alike 4.0 License  
<https://creativecommons.org/licenses/by-sa/4.0/>



TITLE: SparkFun\_UR\_IMU\_Breakout\_BNO086\_QWIIC

Design by: N. Seidle  
 Revision By: A. England, P. Lewis

REV:  
v10

Date: 7/28/2023 2:27 PM

Sheet: 1/1