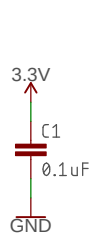
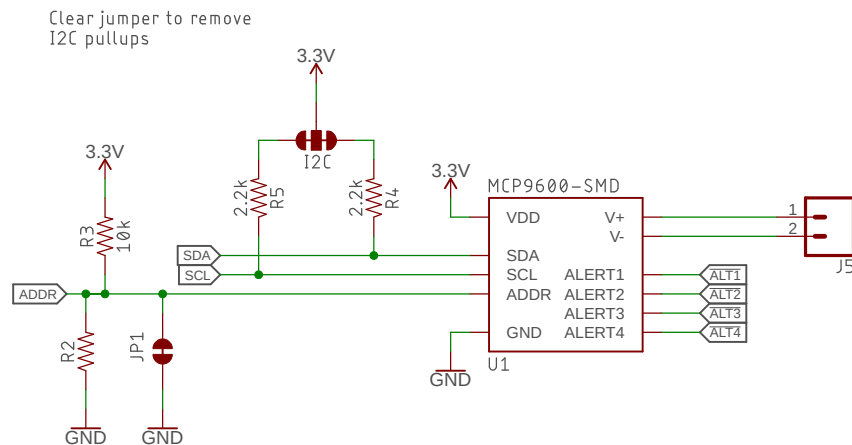


MCP9600 Thermocouple EMF to Temperature Converter

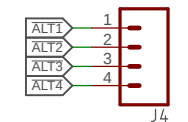
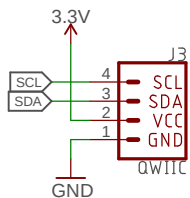
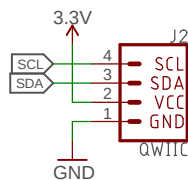
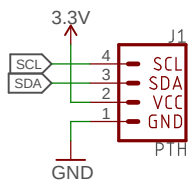


MCP9600 Address Selection:

- 0x60: ADDR tied to GND (default)
- 0x61: R3 = 10k, R2 = 2.2k
- 0x62: R3 = 10k, R2 = 4.3k
- 0x63: R3 = 10k, R2 = 7.5k
- 0x64: R3 = 10k, R2 = 13k
- 0x65: R3 = 10k, R2 = 22k
- 0x66: R3 = 10k, R2 = 43k
- 0x67: ADDR Pin Tied to VDD



I2C Connections



Released under the Creative Commons

Attribution Share-Alike 4.0 License

<https://creativecommons.org/licenses/by-sa/4.0/>



TITLE: SparkFun_Qwiic_Thermocouple_Amplifier_Screw_Terminals

Design by: Alex Wende

REV:
v10

Date: 1/30/2020 1:39 PM

Sheet: 1/1