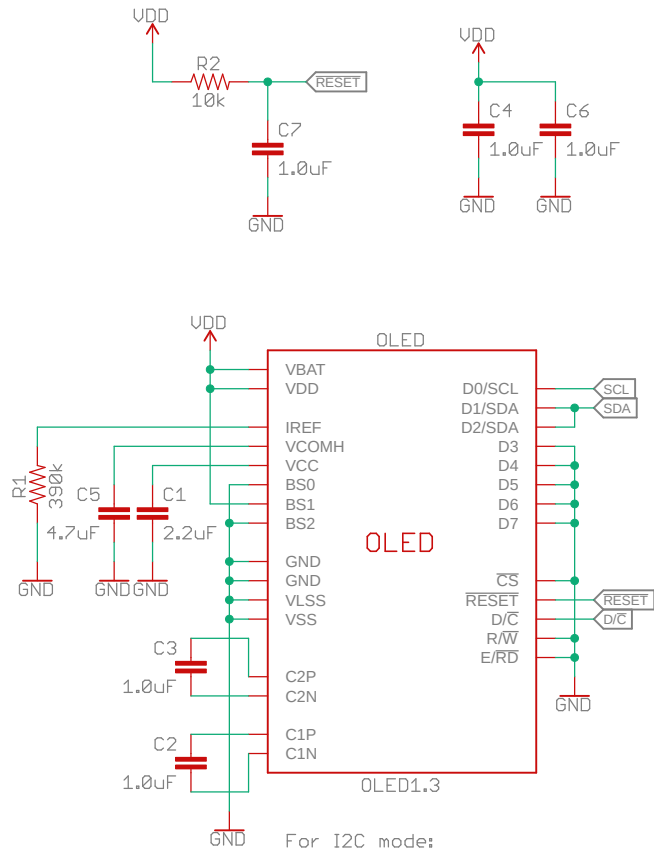


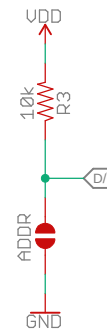
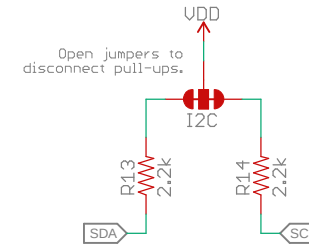
OLED (SSD1306)



For I2C mode:
BS1 pulled HIGH
BS0 and BS2 pulled LOW

D1 and D2 are shorted
for I2C mode.

I2C



In I2C mode, D/C sets the lower
bit of the 7-bit address:

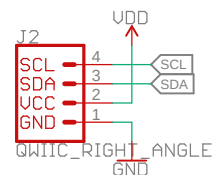
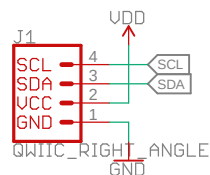
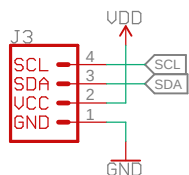
D/C	I2C Address
0	0x3C
1	0x3D (Default)

qwic

open hardware

sparkfun

Connectors / Breakouts



Released under the Creative Commons
Attribution Share-Alike 4.0 License
<https://creativecommons.org/licenses/by-sa/4.0/>

TITLE: Qwiic_OLED_1.3.in

Design by: Paul Clark

REV:
v10

Date: 06/09/2023 11:42

Sheet: 1/1