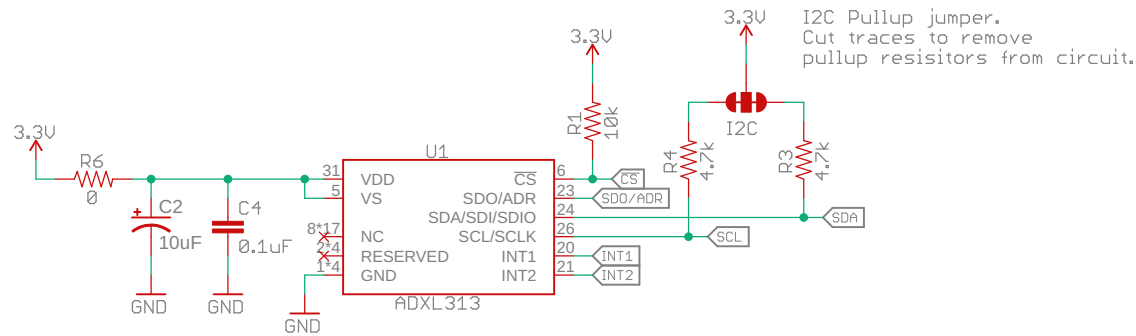
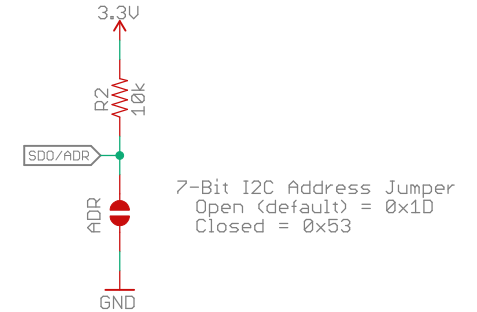


ADXL313 Accelerometer

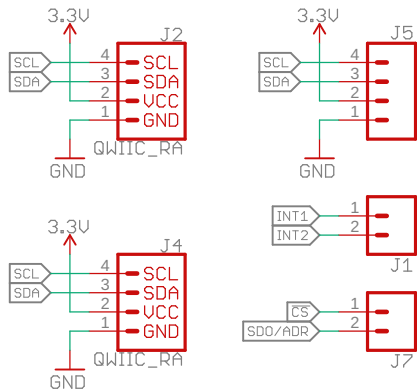
UCC RANGE: 3.3V (QWIIC)
Supply and I/O voltage range: 2.0 V to 3.6 V



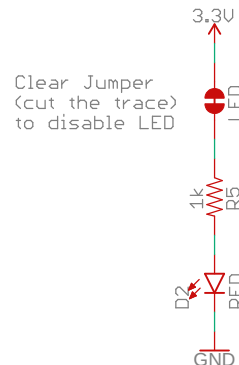
Address Jumper Selection



Qwiic/I2C Connectors



Power LED



sparkfun

open hardware

QWIIC

Released under the Creative Commons
Attribution Share-Alike 4.0 License
<https://creativecommons.org/licenses/by-sa/4.0/>



TITLE: SparkFun_Qwiic_ADXL313

Design by: Pete Lewis

REV:
v10

Date: 11/4/2020 12:49 PM

Sheet: 1/1