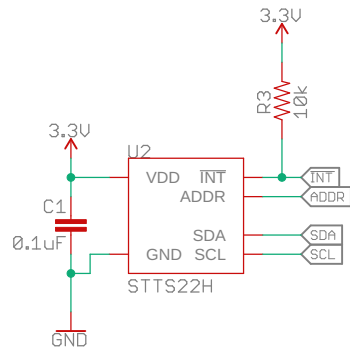
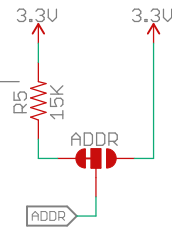


## Temperature Sensor - STTS22H

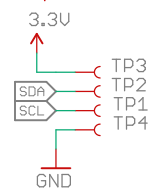


Address Selection ←	
1 (15k)	0x3C (Default)
0 (VDD)	0x38
OPEN	Undefined

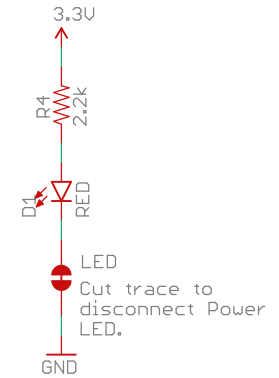
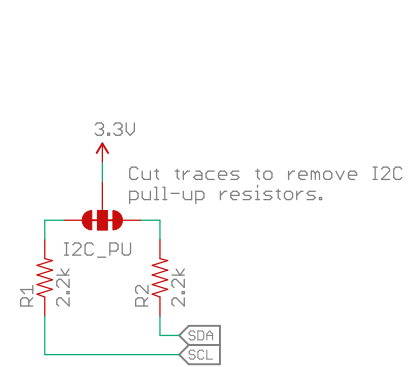
7-bit Unshifted



### Testpoints

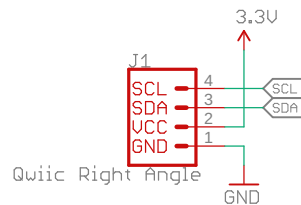
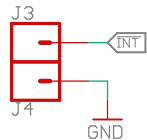


## Jumpers



## Connectors

PTH connectors only accept 22AWG or smaller



Released under the Creative Commons Attribution Share-Alike 4.0 License  
<https://creativecommons.org/licenses/by-sa/4.0/>

TITLE: SparkFun\_Micro\_Temperature\_Sensor-STTS22H

Design by: Elias Santistevan

REV:  
v10

Date: 12/5/2022 2:29 PM

Sheet: 1/1