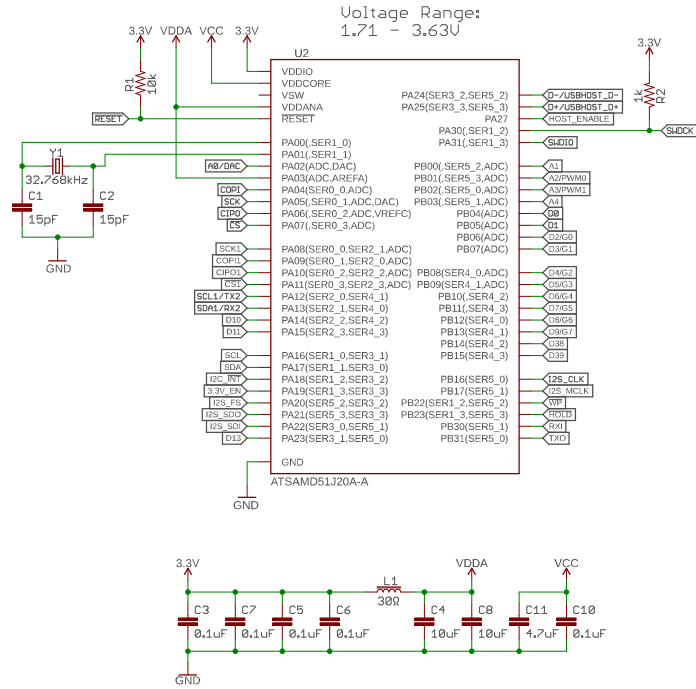
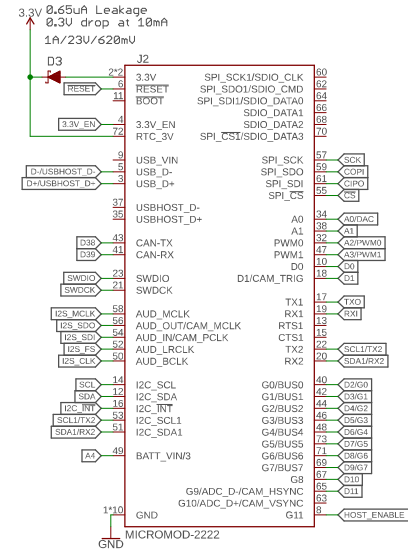


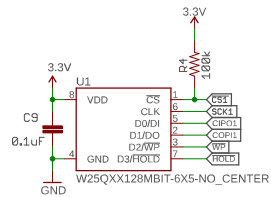
Microcontroller - SAMD51



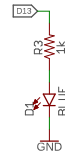
M.2 Connector



Flash Memory - 128Mb



Stat LED



Released under the Creative Commons Attribution Share-Alike 4.0 License <a href="https://creativecommons.org/licenses/by-sa/4.0/">https://creativecommons.org/licenses/by-sa/4.0/</a>		Special Instructions	
TITLE: MicroMod_SAMD51		REV: v12	
Design by: Elias Santistevan			
Date: 10/28/2020 1:27 PM			Sheet: 1/1