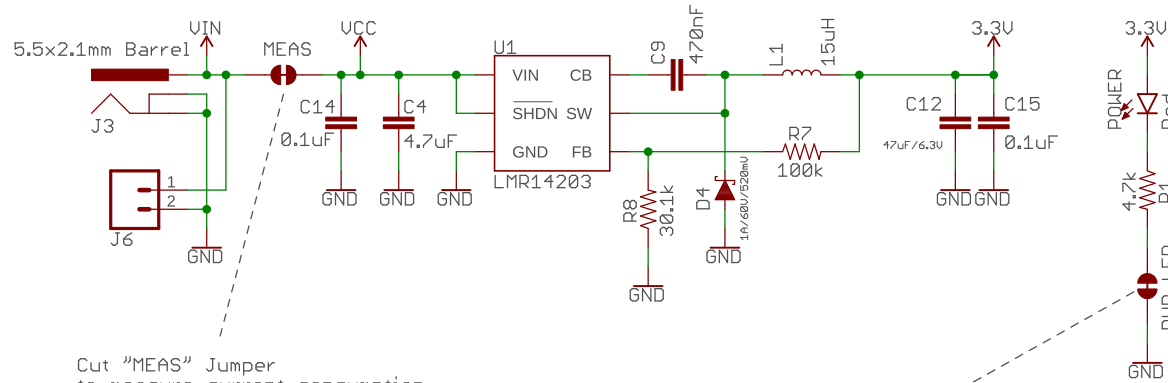


3.3V Buck

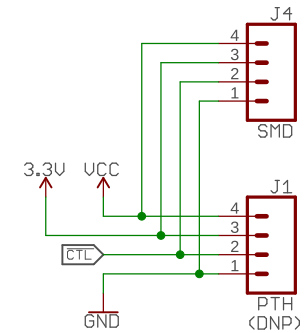
4.5-12V Input



Cut "MEAS" Jumper to measure current consumption

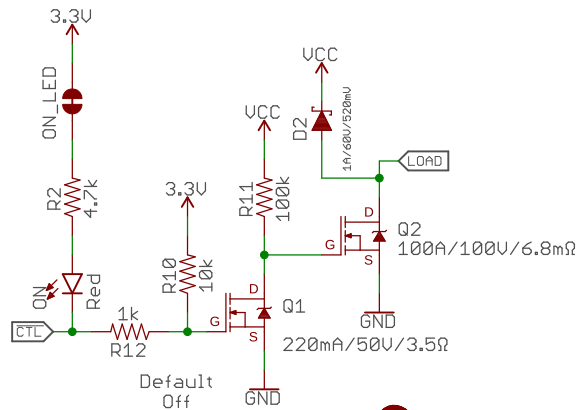
Cut "PWR_LED" Jumper to disable Power LED.

Header Connections

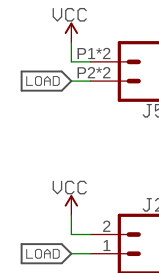


High Voltage Control (Low-side MOSFET Switch)

Cut "ON_LED" Jumper to disable ON LED.



Load Connections

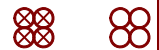


Released under the Creative Commons

Attribution Share-Alike 4.0 License

<https://creativecommons.org/licenses/by-sa/4.0/>

Special Instructions



TITLE: SparkFun_MOSFET_Power_Switch_and_Buck_Regulator_Low-Side

Design by: Nathan Seidle

Revised by: Pete Lewis

REV:
v11b

Date: 1/16/2024 12:20 AM

Sheet: 1/1

