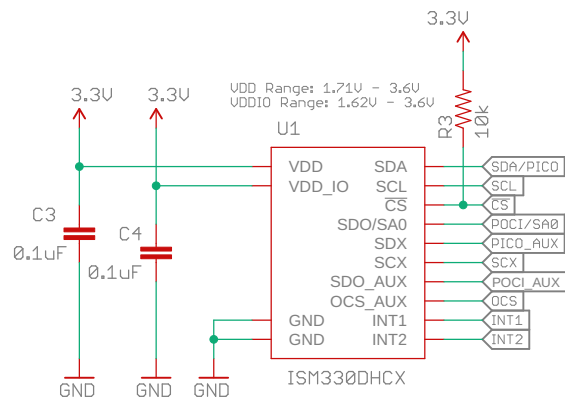


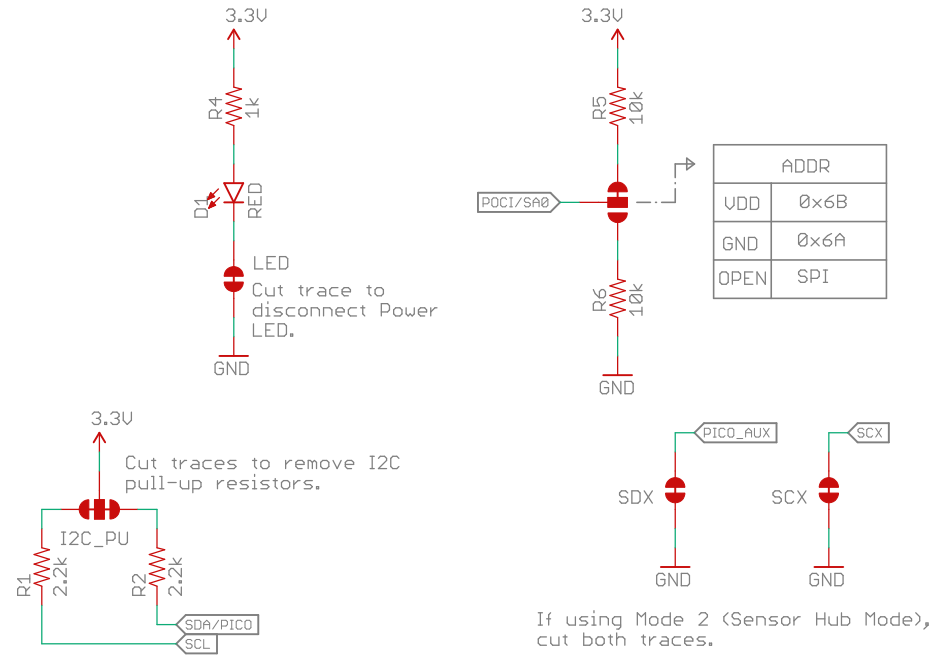
## Accelerometer - ISM330DHCX



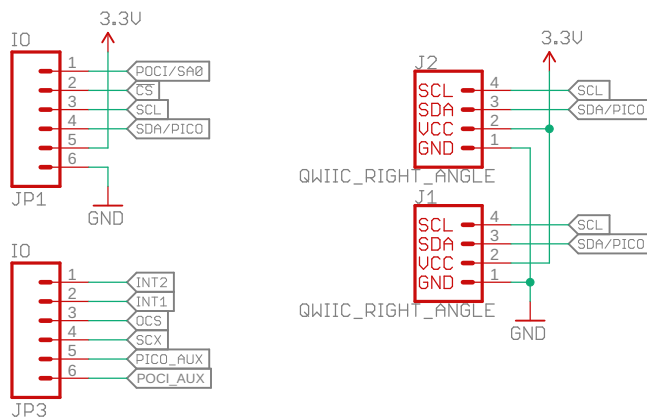
### ISM330DHCX MODES

- MODE1: Peripheral-only mode  
I2C or SPI
- MODE2: Sensor Hub mode  
I2C or SPI with controller I2C port
- MODE 3 and 4: AUX SPI mode  
I2C and SPI access (Multi-read)

## Jumpers



## Connectors



Released under the Creative Commons

Attribution Share-Alike 4.0 License

<https://creativecommons.org/licenses/by-sa/4.0/>



TITLE: SparkFun\_6DoF\_ISM330DHCX

Design by: Elias Santistevan

REV:  
v01

Date: 5/2/2022 8:49 AM

Sheet: 1/1