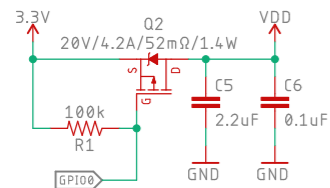
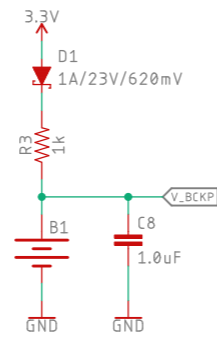


Power Switching

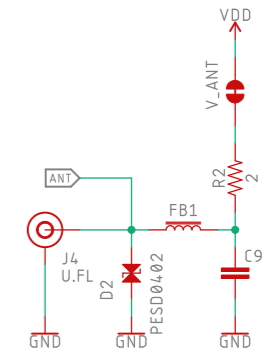


Back-Up Voltage



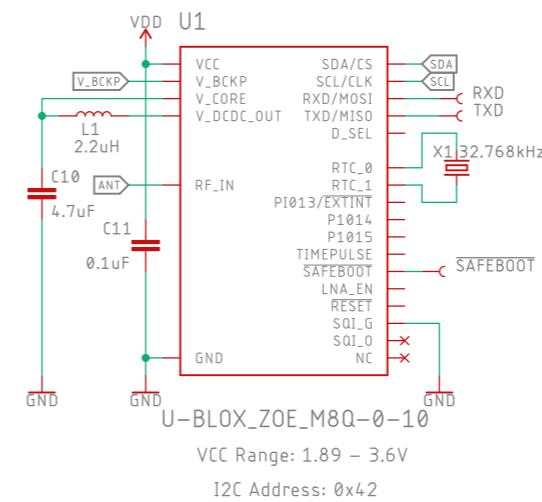
Antenna

RF Track Impedance: Coplanar Waveguide with Ground Calculations
<https://chemandy.com/calculators/coplanar-waveguide-with-ground-calculator.htm>
 JLCPCB JLC7628 4-Layer 0.8mm Impedance Control Stackup (Er = 4.6)
 Ground is on layer 2.
 Prepreg thickness: 0.2mm
 12 mil track with 4 mil gap = 49.5 Ohms

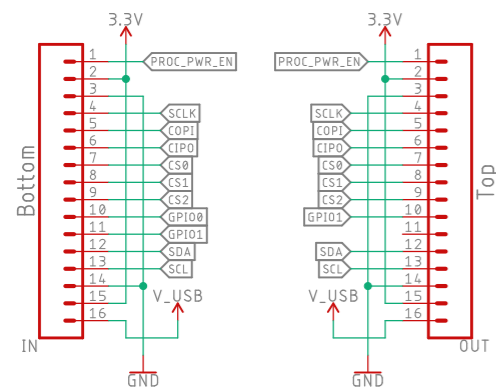


uBlox ZOE-M8Q-0-10

Test Points



smôl Connectors



Released under the Creative Commons Attribution Share-Alike 4.0 License https://creativecommons.org/licenses/by-sa/4.0/		Special Instructions
TITLE: SparkX_smol_ZOE-M8Q		REV: X02
Design by: Paul Clark		
Date: 20/08/2021 13:36	Sheet: 1/1	