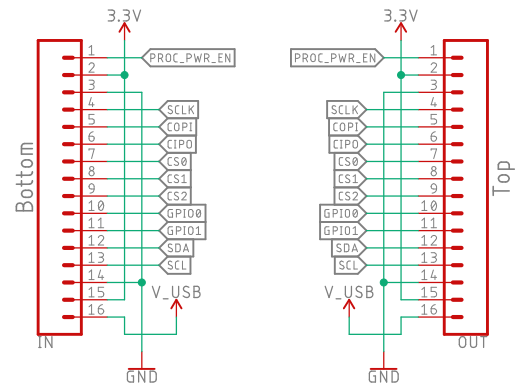
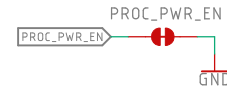


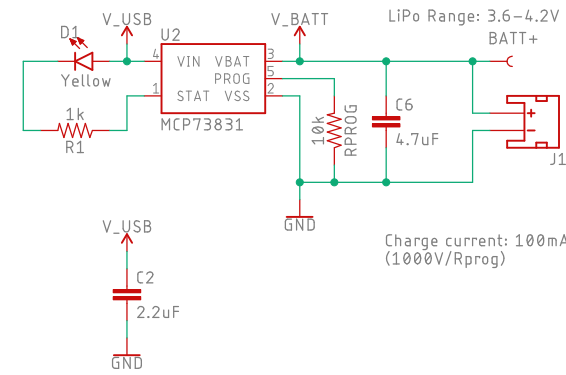
## smôl Connectors



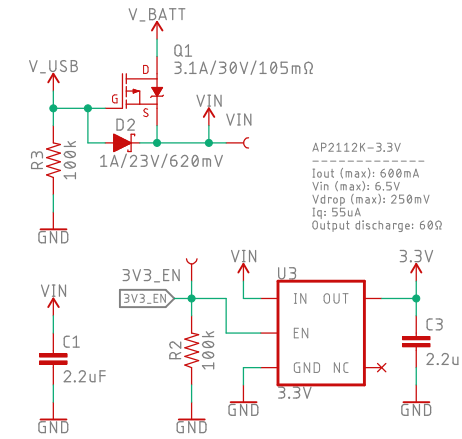
## Disable Processor Board Regulator



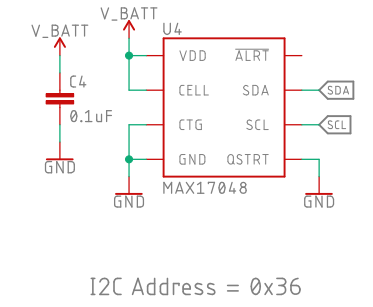
## LiPo Charger



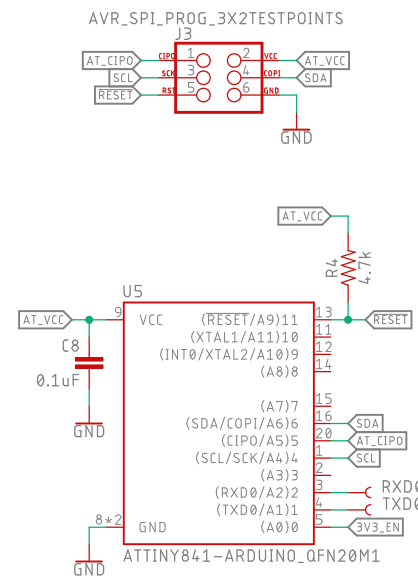
## EZ Voltage Regulation



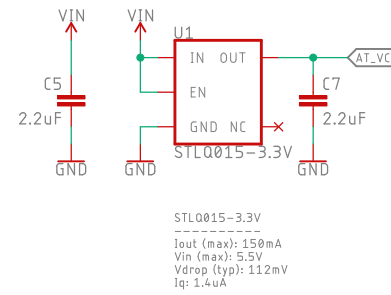
## Fuel Gauge



## ATtiny841



## ATtiny Voltage Regulation



smôl



Released under the Creative Commons Attribution Share-Alike 4.0 License <a href="https://creativecommons.org/licenses/by-sa/4.0/">https://creativecommons.org/licenses/by-sa/4.0/</a>		Special Instructions 
TITLE: SparkX_smol_LiPo_Power		REV: X02
Design by: Paul Clark		Date: 20/08/2021 13:34
Sheet: 1/1		