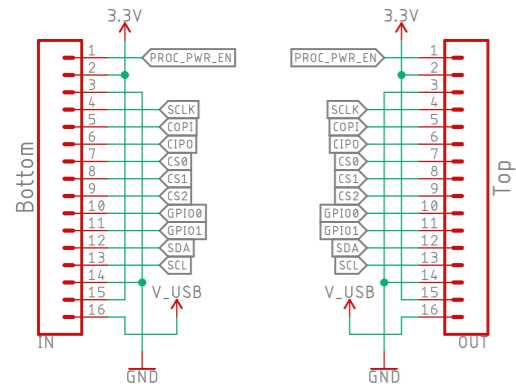


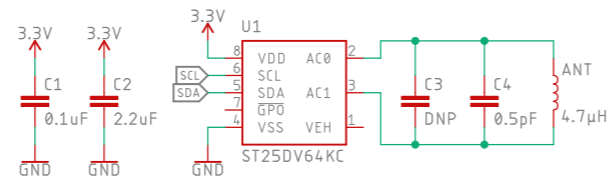
## smøl Connectors



## ST25DV64KC

Notes on antenna tuning:

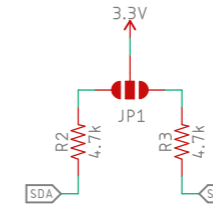
The ST25DV64KC has an internal tuning capacitance of 28.5pF  
 The W3102 antenna has an inductance of 4.7μH  
 To tune the antenna circuit to 13.56MHz, the total capacitance needs to be 29.1pF  
 C3 and C4 may need to be tuned for best performance



Default I2C Address (User Memory) (Unshifted): 0x53  
 Default I2C Address (System Memory) (Unshifted): 0x57

## I2C Pull-ups

Close jumper to enable  
 I2C pull-up resistors



smøl



Released under the Creative Commons Attribution Share-Alike 4.0 License <a href="https://creativecommons.org/licenses/by-sa/4.0/">https://creativecommons.org/licenses/by-sa/4.0/</a>		Special Instructions 
TITLE: SparkX_smøl_Dynamic_NFC_RFID_Tag		
Design by: Paul Clark		REV: x02
Date: 11/11/2021 11:24	Sheet: 1/1	