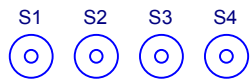
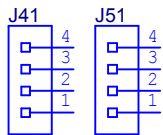
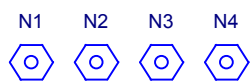


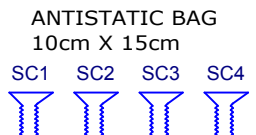
RELAY CONNECTOR PLUGS



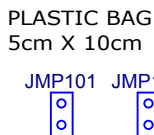
18mm STANDOFFS



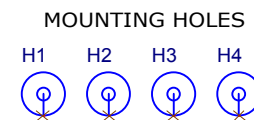
2.5mm NUTS



M2.5x5mm SCREWS

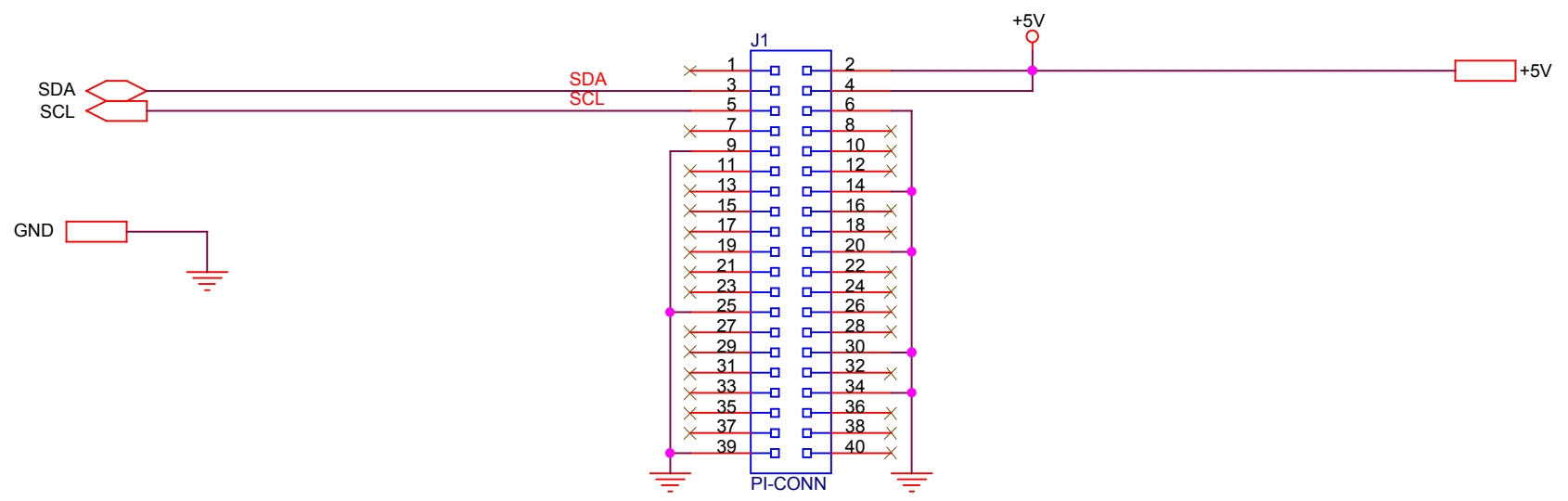


ID Jumpers

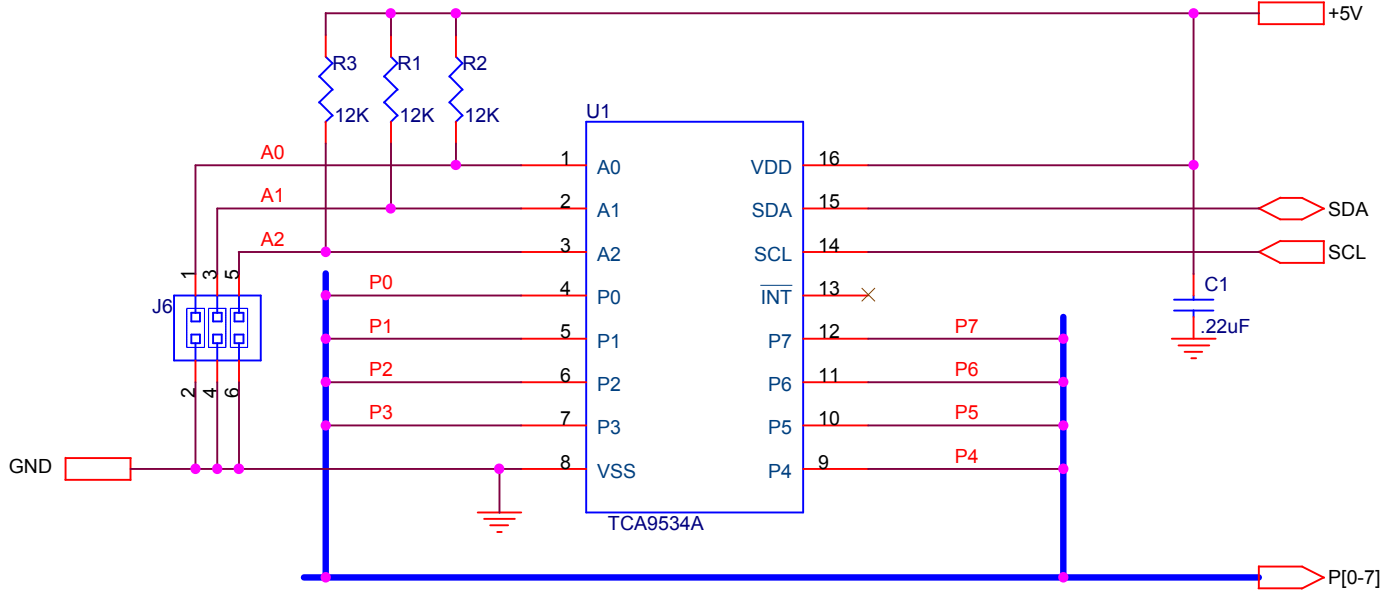


MOUNTING HOLES

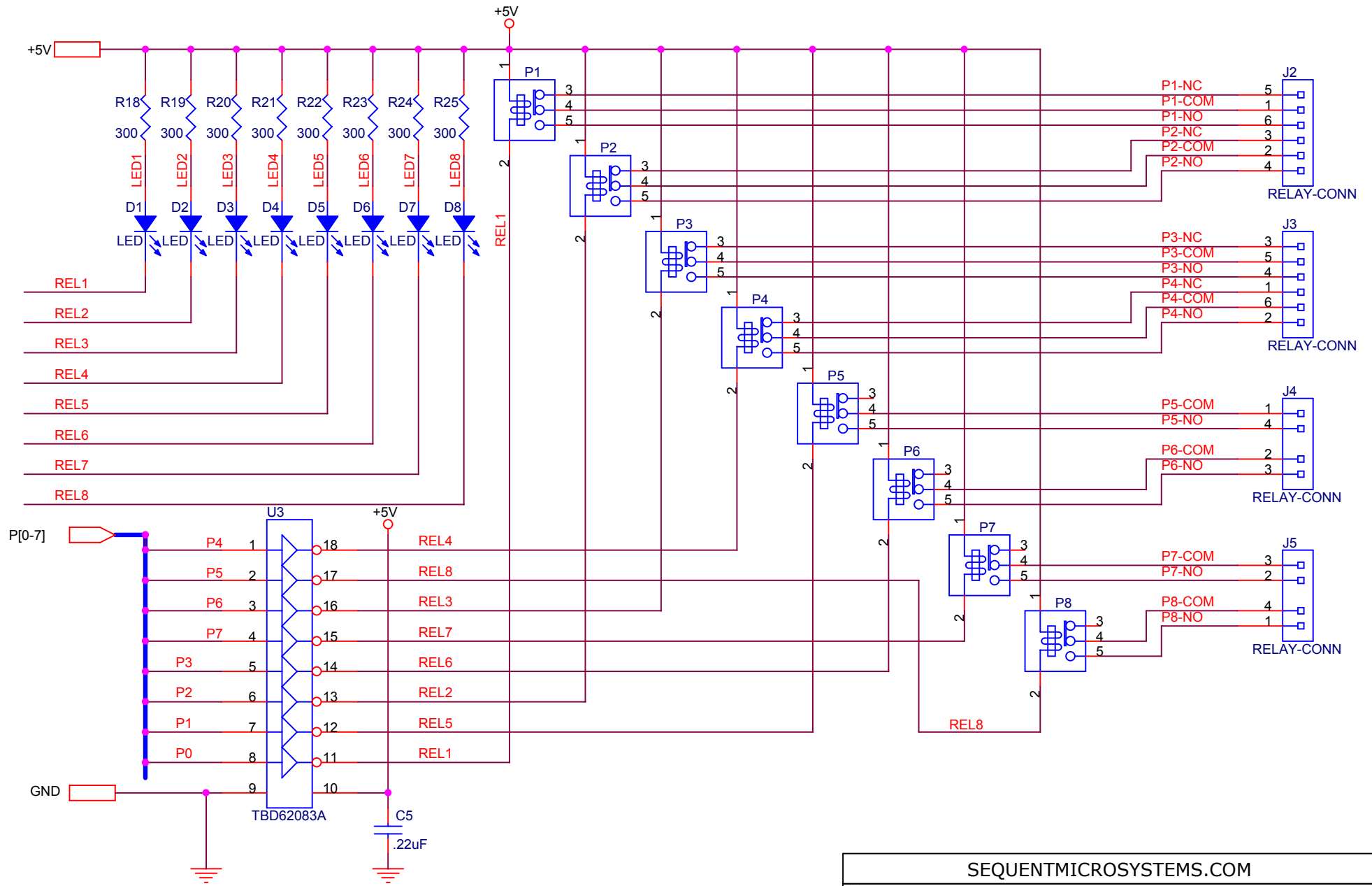
SEQUENTMICROSYSTEMS.COM		
Title		
8-RELAYS		
Size	Document Number	Rev
A	BLOCK DIAGRAM	3.0
Date:	Saturday, June 27, 2020	Sheet 1 of 4



SEQUENTMICROSYSTEMS.COM		
Title		
8-RELAYS		
Size	Document Number	Rev
A	CONNECTORS	3.0
Date:	Saturday, June 27, 2020	Sheet 2 of 4



SEQUENTMICROSYSTEMS.COM		
Title		
8-RELAYS		
Size	Document Number	Rev
A	IO EXPANDERS	3.0
Date:	Saturday, June 27, 2020	Sheet 3 of 4



SEQUENTMICROSYSTEMS.COM

Title		
8-RELAYS		
Size	Document Number	Rev
A	RELAYS	3.0
Date:	Saturday, June 27, 2020	Sheet 4 of 4