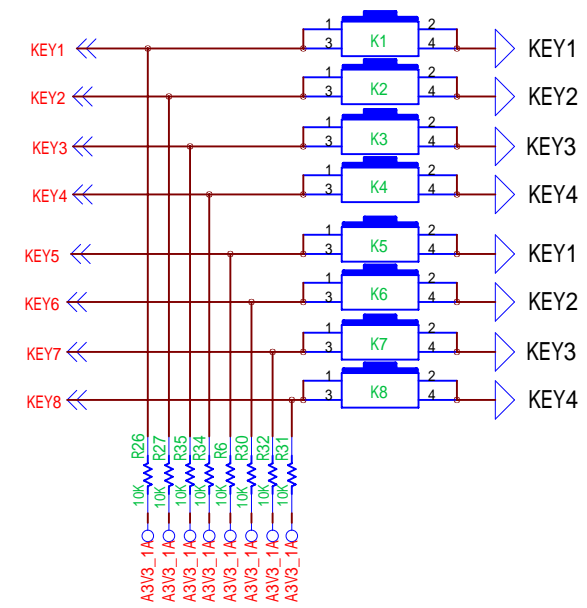
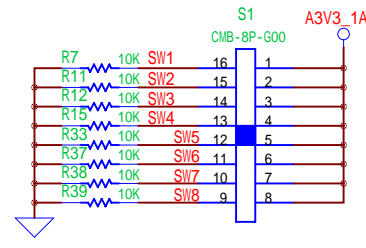
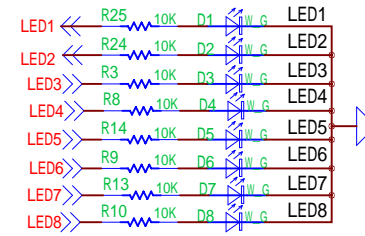
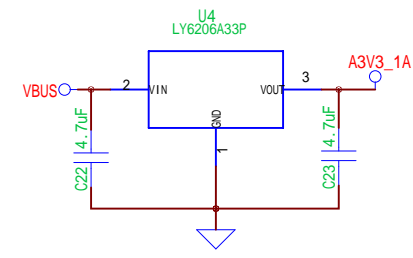
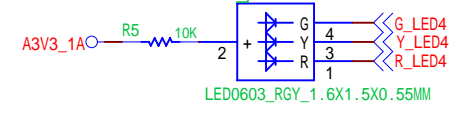
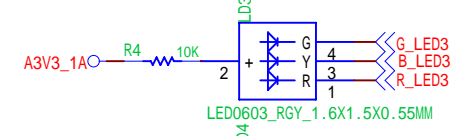
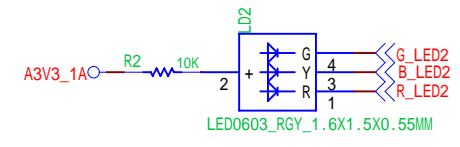
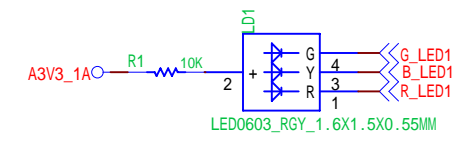
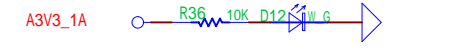


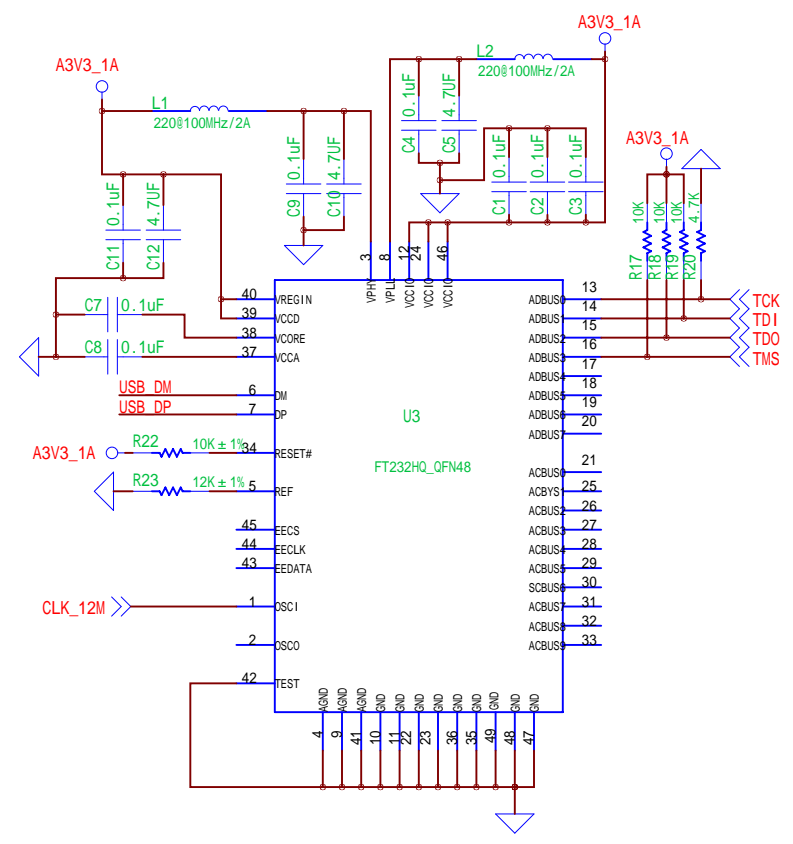
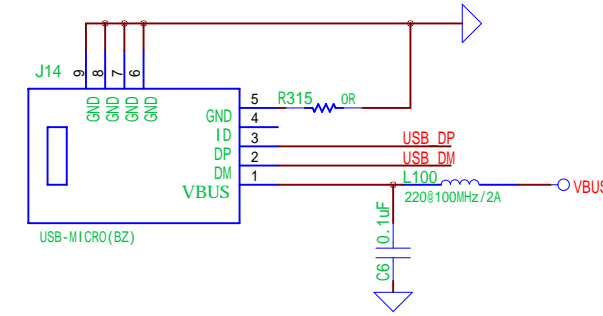
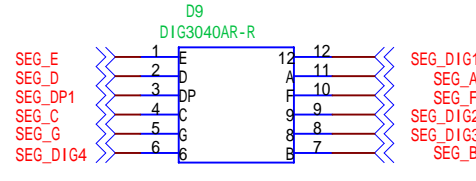
D



C

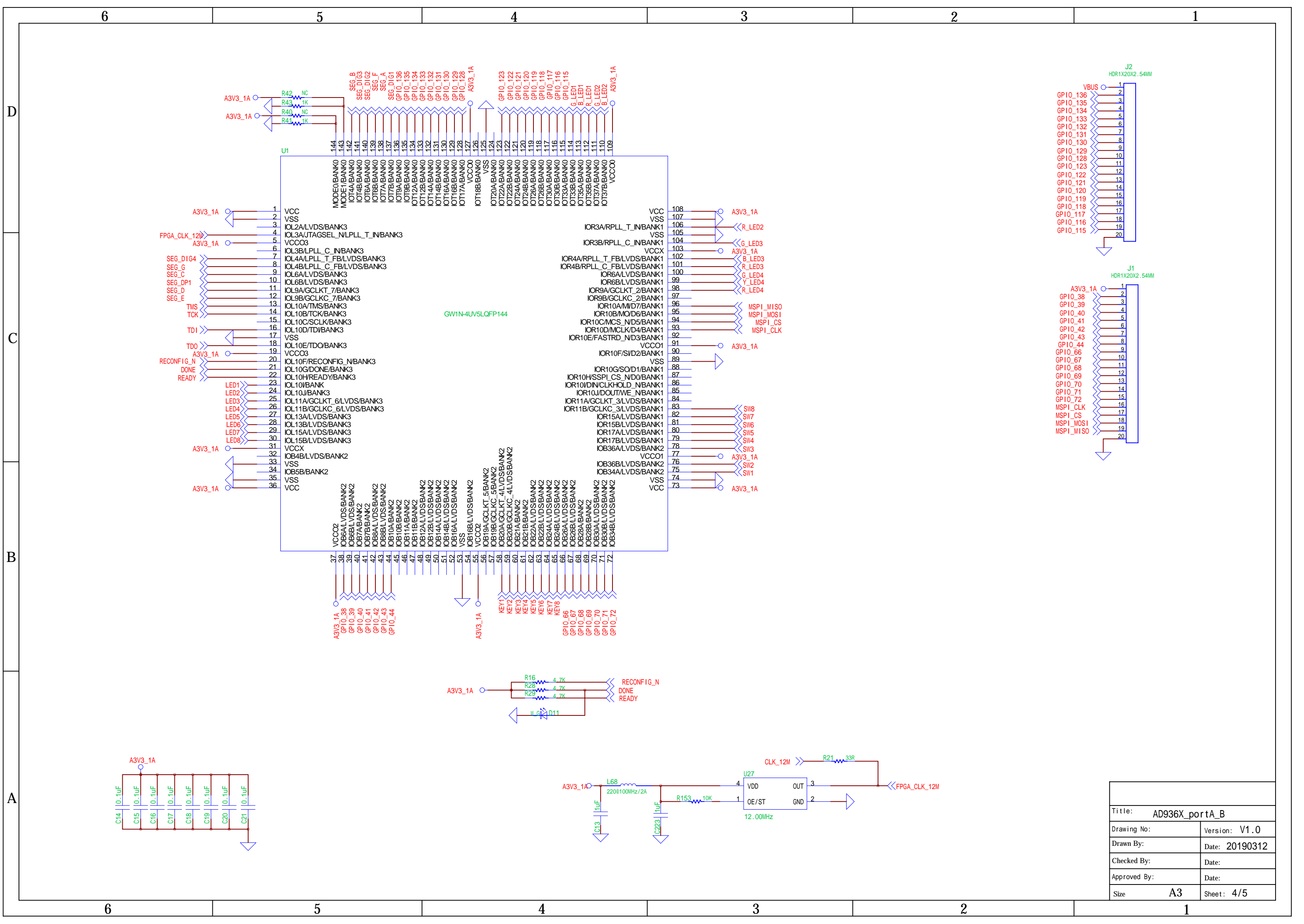


B



A

Title: SD_UART_KEY_LED_GPIO	
Drawing No:	Version: V1.0
Drawn By:	Date: 20190312
Checked By:	Date:
Approved By:	Date:
Size: A3	Sheet: 2/5



Title: AD936X_portA_B	
Drawing No:	Version: V1.0
Drawn By:	Date: 20190312
Checked By:	Date:
Approved By:	Date:
Size: A3	Sheet: 4/5