

UCTRONICS

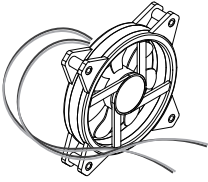
# ASSEMBLY GUIDE

RM0002

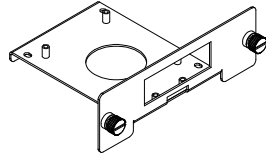




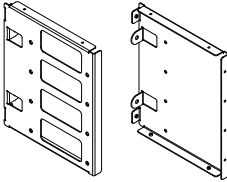
# PACKAGE CONTENTS



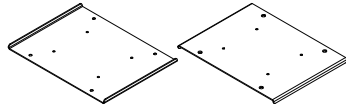
12\*12cm LED Fan × 1



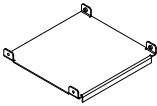
Mounting Bracket × 4



Side panel × 2



Cover Panel (Bottom and top) × 2



Spacer Panel × 4



Fan Panel × 1



Rubber Pad × 4



M2.5\*5 Round-head  
Screws × 16



M3\*5 Countersunk  
Screws × 28

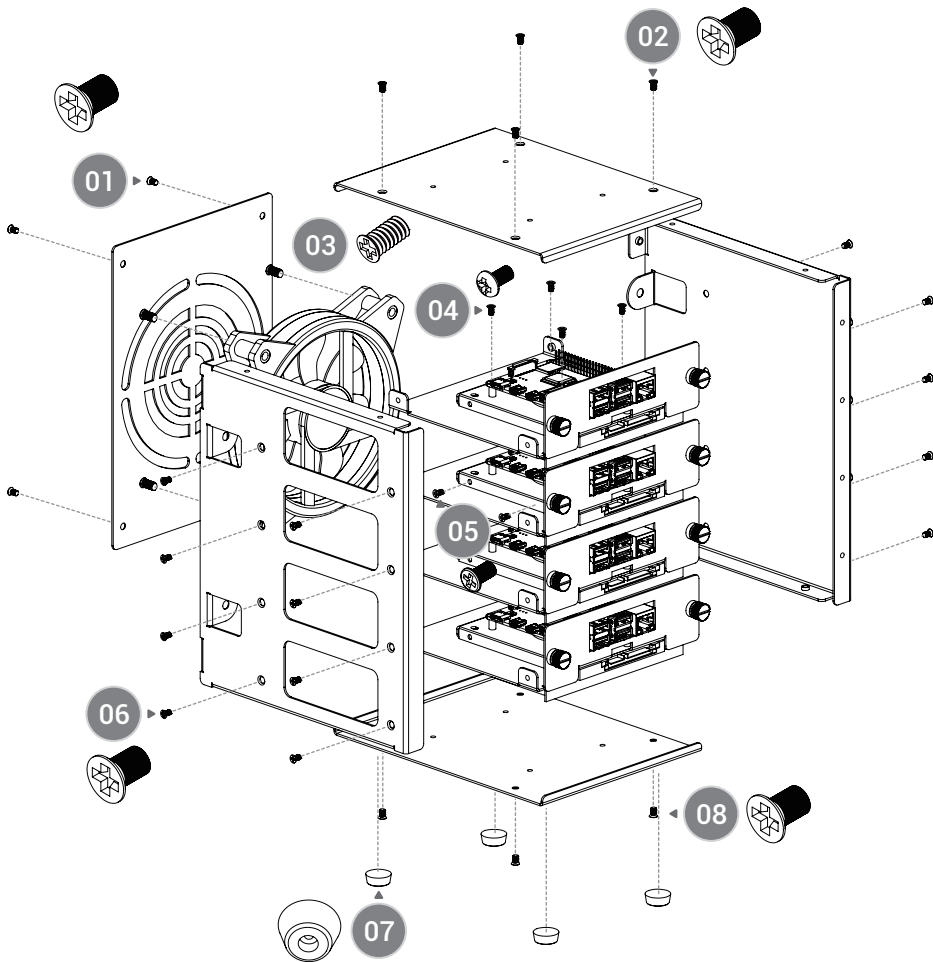


M3\*5 Flat-head  
Screws × 16



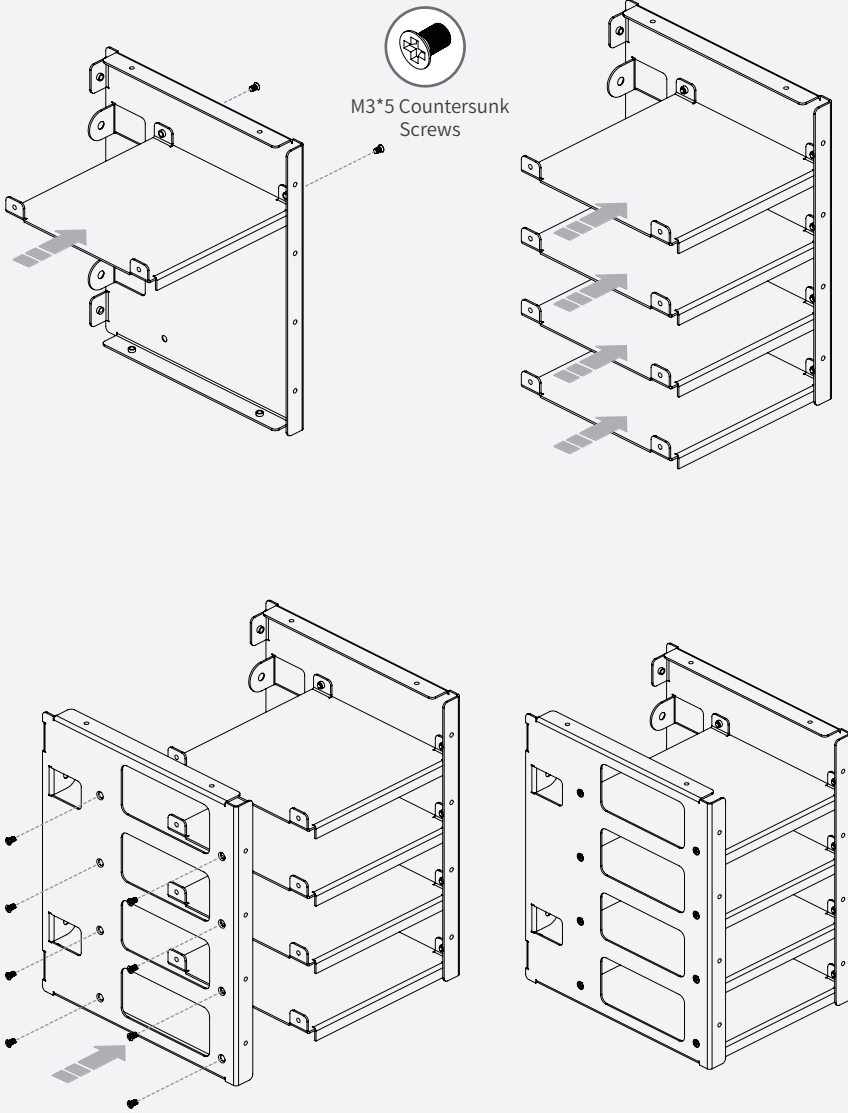
M5\*8 Fan Screws × 4

# EXPLODED VIEW

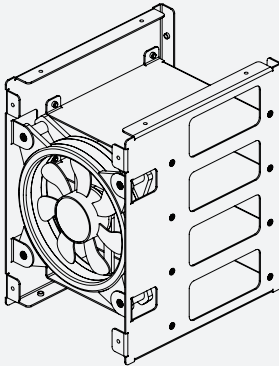
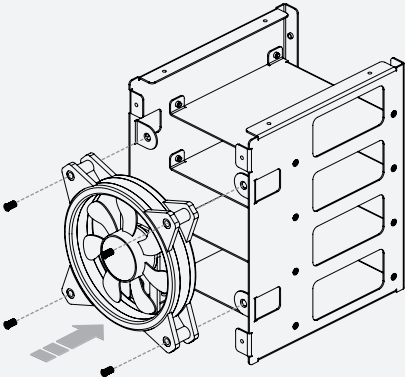
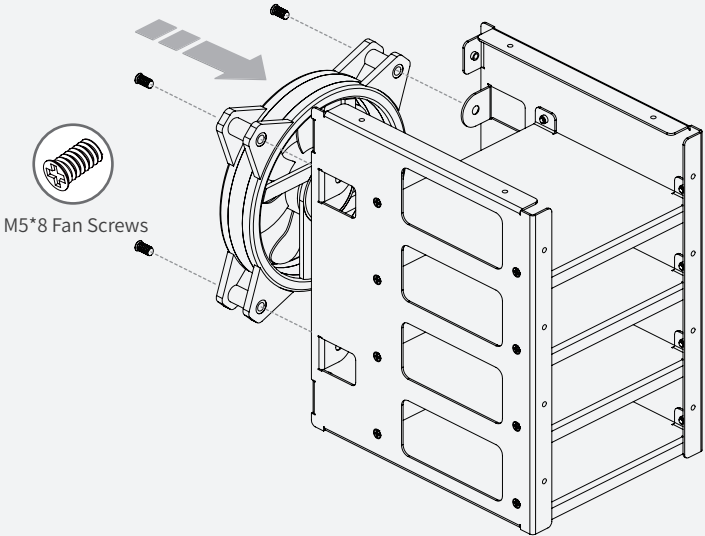


01 M3*5 Counter-sunk Screws	02 M3*5 Counter-sunk Screws	03 M5*8 Fan Screws	04 M2.5*5 Round-head Screws
05 M3*5 Flat-head Screws	06 M3*5 Counter-sunk Screws	07 Rubber Pad	08 M3*5 Counter-sunk Screws

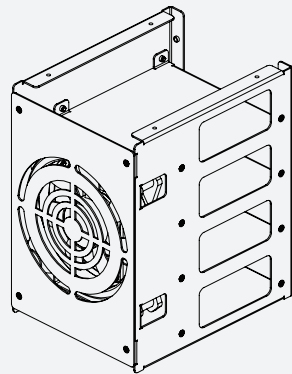
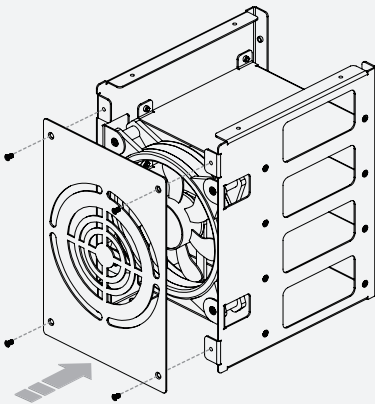
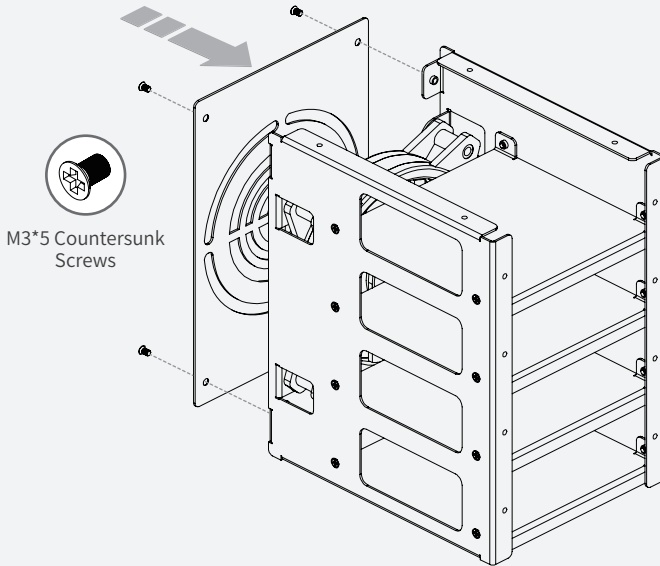
# INSTALLATION



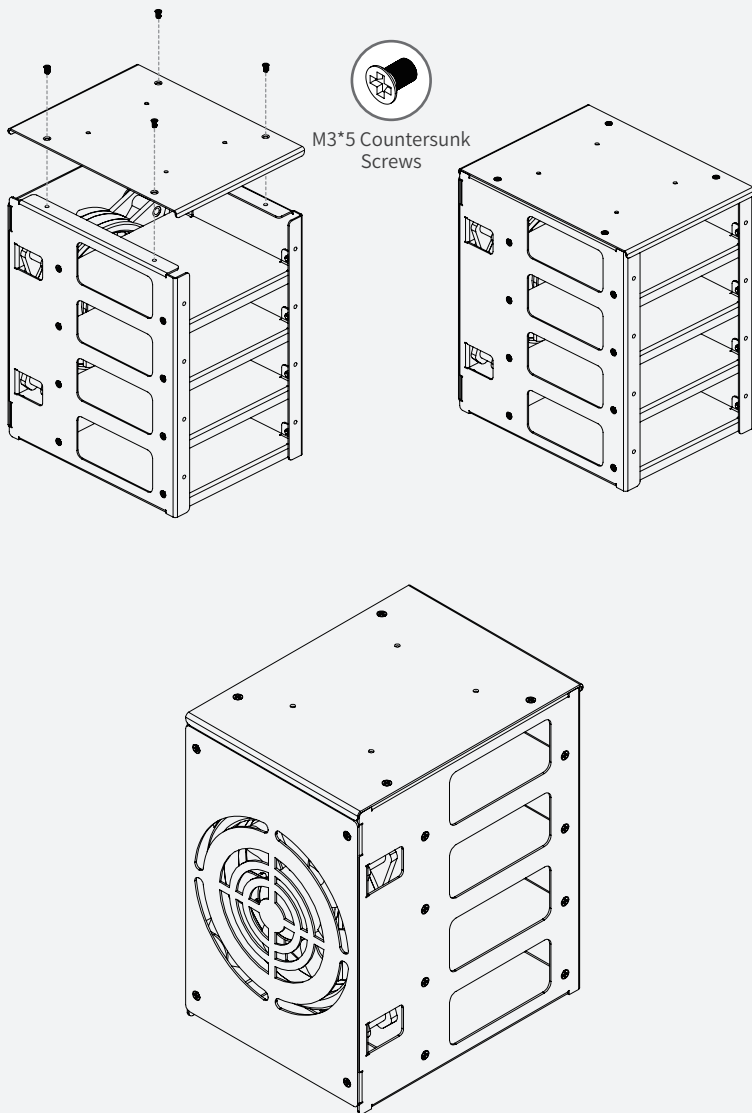
# INSTALLATION



# INSTALLATION

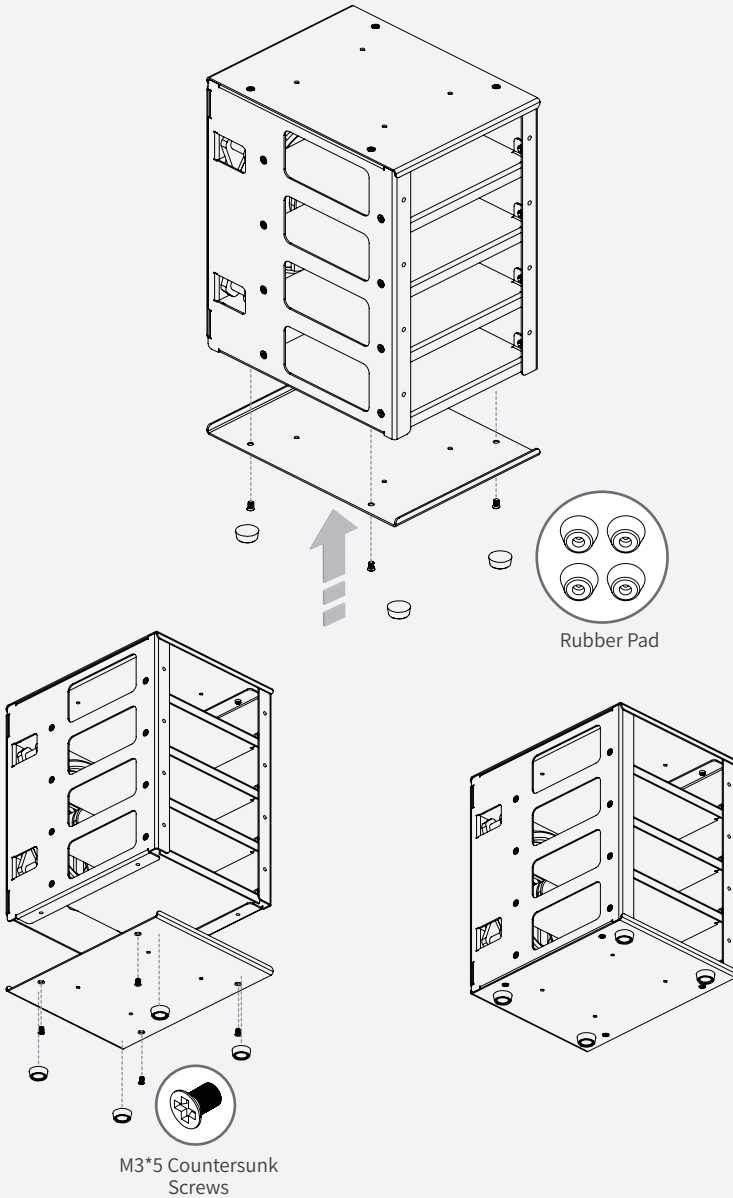


# INSTALLATION

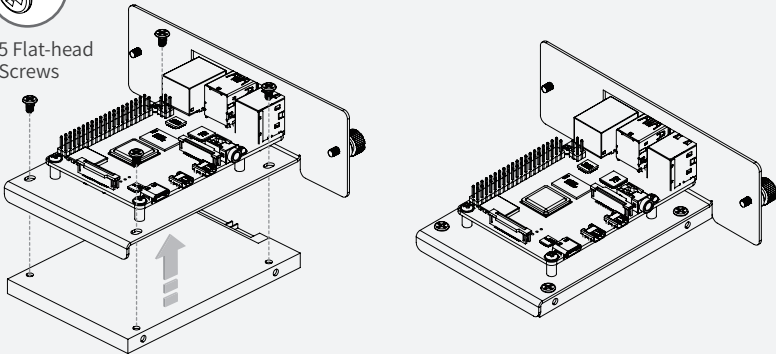
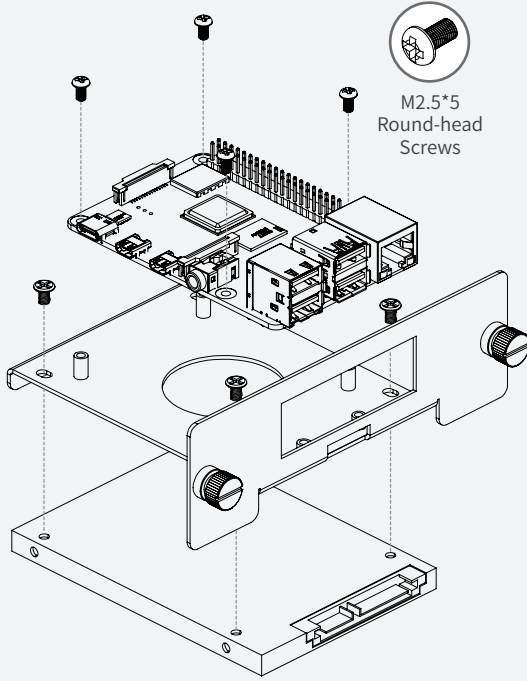




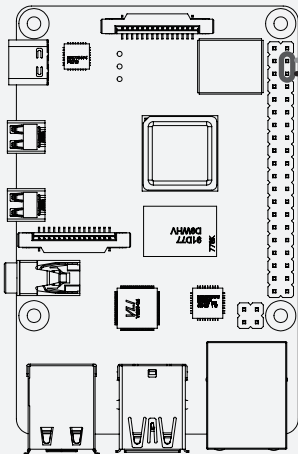
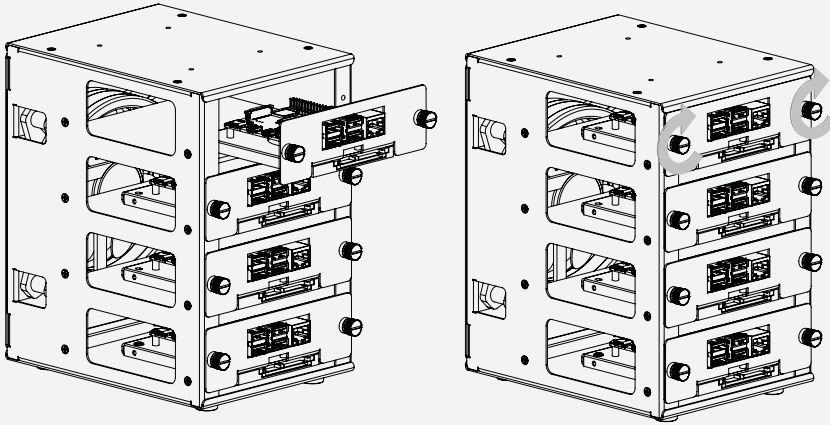
# INSTALLATION



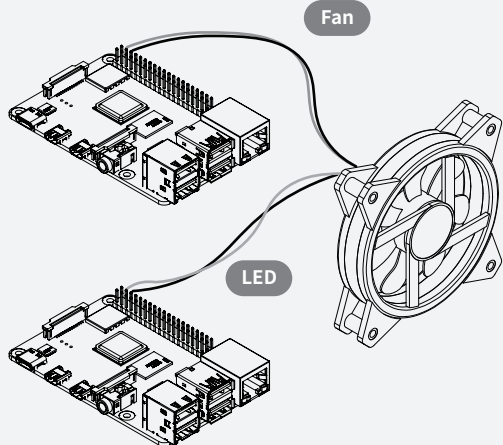
# INSTALLATION

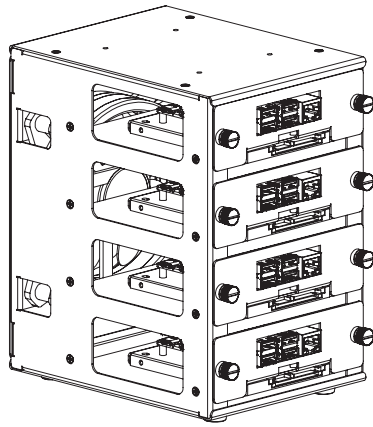


# INSTALLATION



- ⊕ red = GPIO 04 (5V DC)
- ⊖ black=GPIO 06 (Ground)





## CONTACT US

If any problem, feel free to contact us.

Website: [www.uctronics.com](http://www.uctronics.com)

Email: [support@uctronics.com](mailto:support@uctronics.com)

