

1 2 3 4 5 6 7 8

A

B

C

D

E

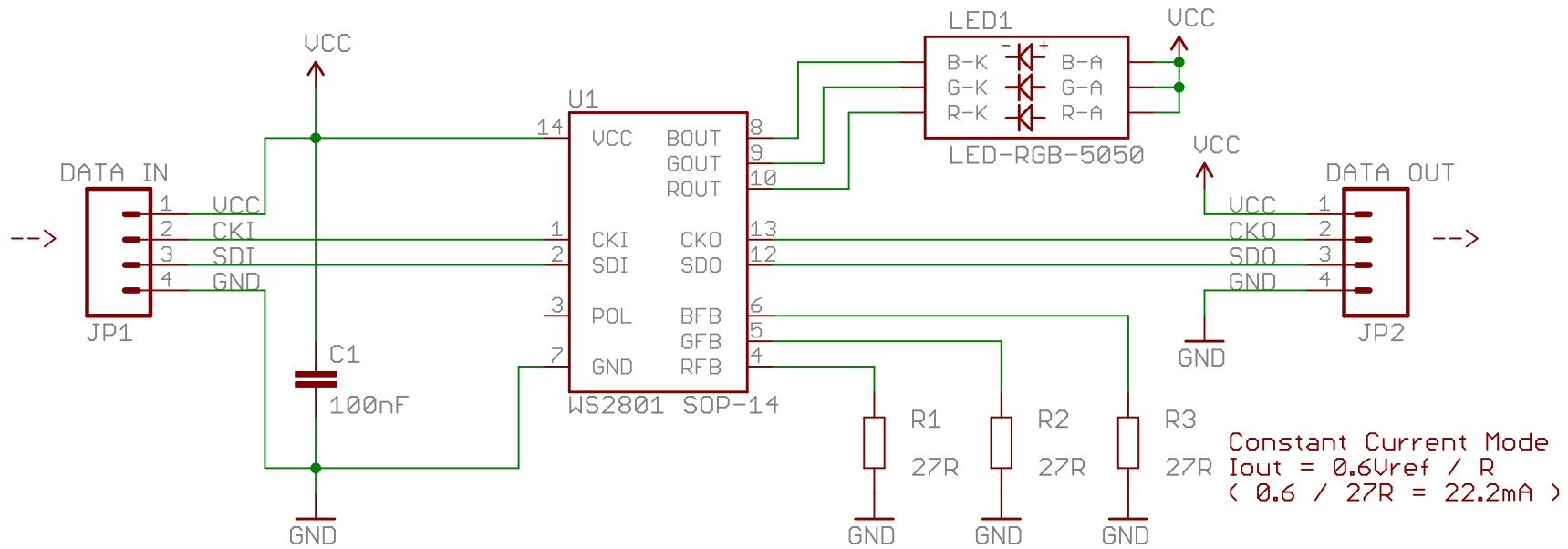
A

B

C

D

E



Constant Current Mode
 $I_{out} = 0.6U_{ref} / R$
 $(0.6 / 27R = 22.2mA)$

WS2801 Operating Voltage: 3.3V to 5.5V

3-Channel Constant Current LED Driver with Programmable PWM Outputs

RGB LED Module

SKU: RGBLED	V1.0 (2011-09-29)	www.freetronics.com/rgbled
-------------	-------------------	--

(C)2011 Freetronics Pty Ltd: www.freetronics.com
 Released under the TAPR Open Hardware License: www.tapr.org/ohl

1 2 3 4 5 6 7 8