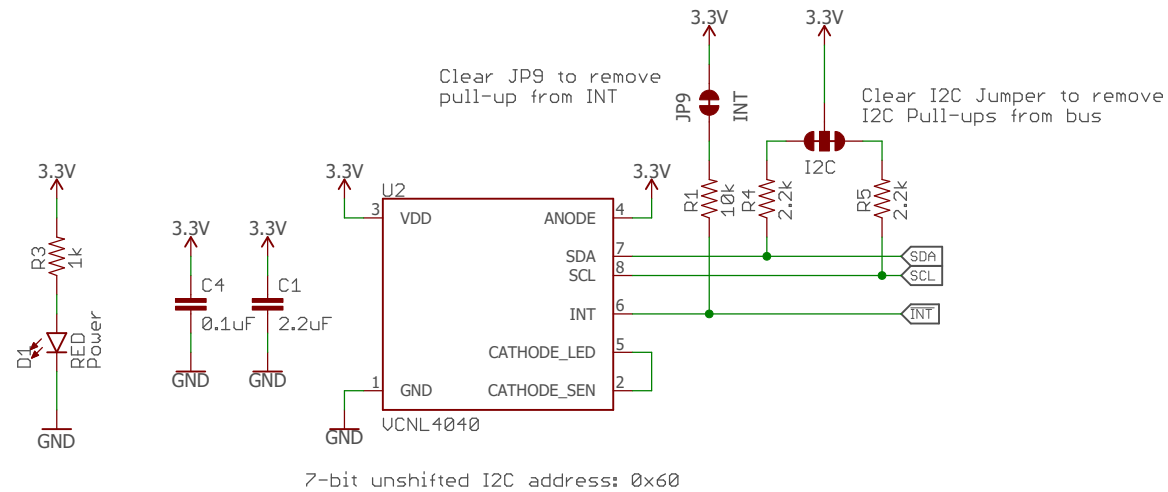
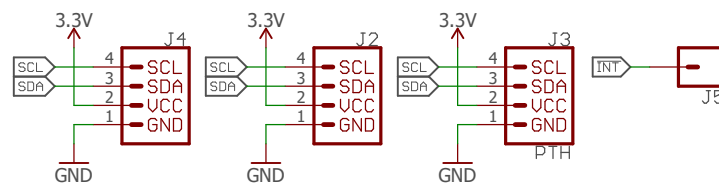


UCNL4040 IR Proximity Sensor

VIN: 2.5V-3.6V



Connections



sparkfun

open hardware

Released under the Creative Commons Attribution Share-Alike 4.0 License
<https://creativecommons.org/licenses/by-sa/4.0/>



TITLE: Qwiic Proximity Sensor - UCNL4040

Design by: N. Seidle
 Revision By: A. England

REV:
v10

Date: 2/22/2019 3:10 PM

Sheet: 1/1