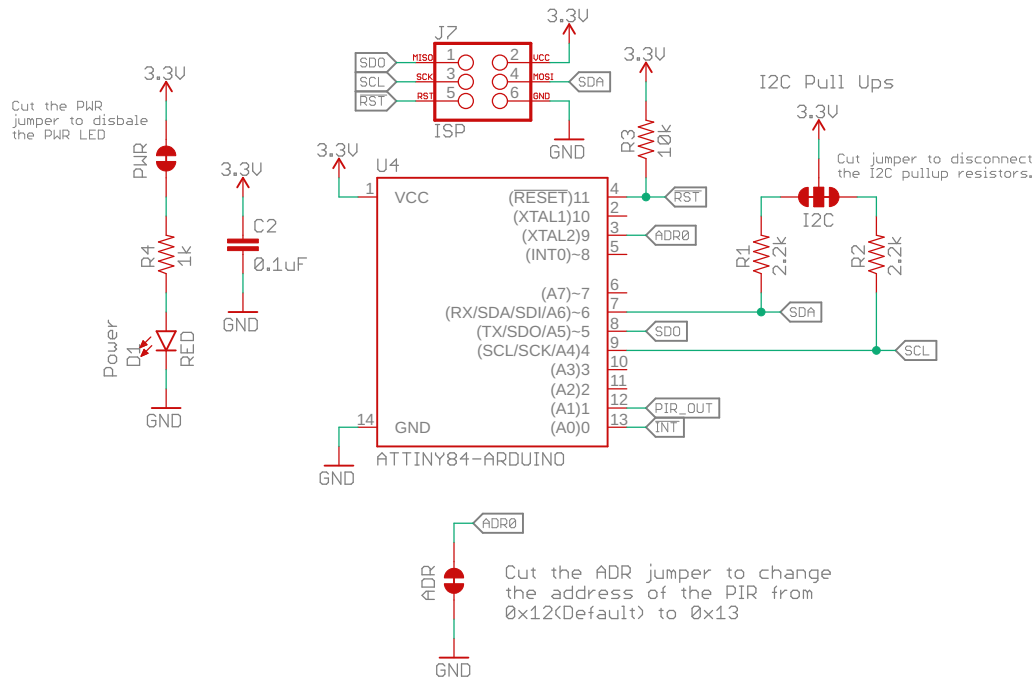
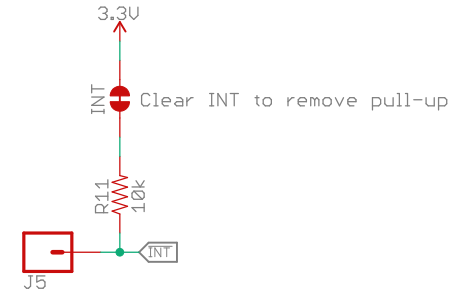
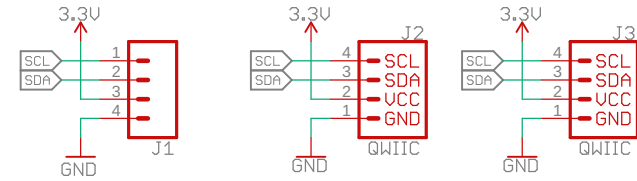


ATTINY-84

VIN: 1.8-5.5V

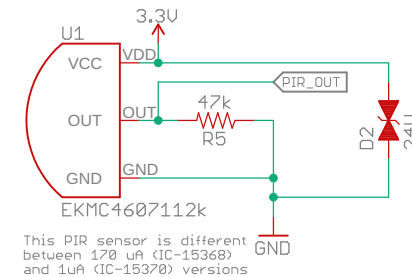


Connections



PIR Sensor

VIN: 2.3-4.0V



open hardware **Qwiic**

Released under the Creative Commons

Attribution Share-Alike 4.0 License

<https://creativecommons.org/licenses/by-sa/4.0/>



TITLE: Qwiic_PIR

Design by: Andy England

REV:
v10

Date: 10/26/2020 9:46 AM

Sheet: 1/1

