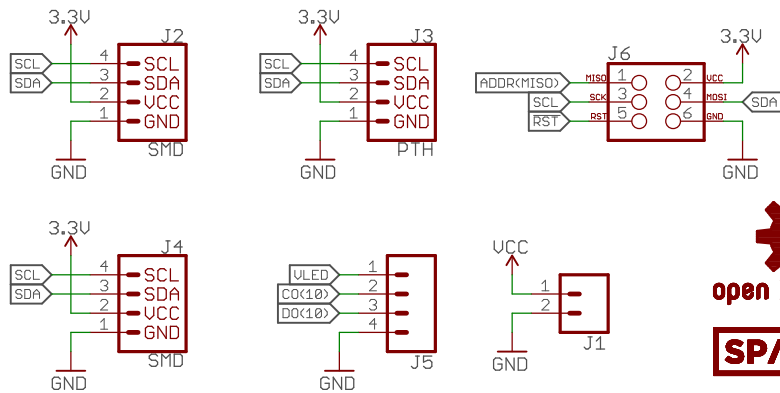
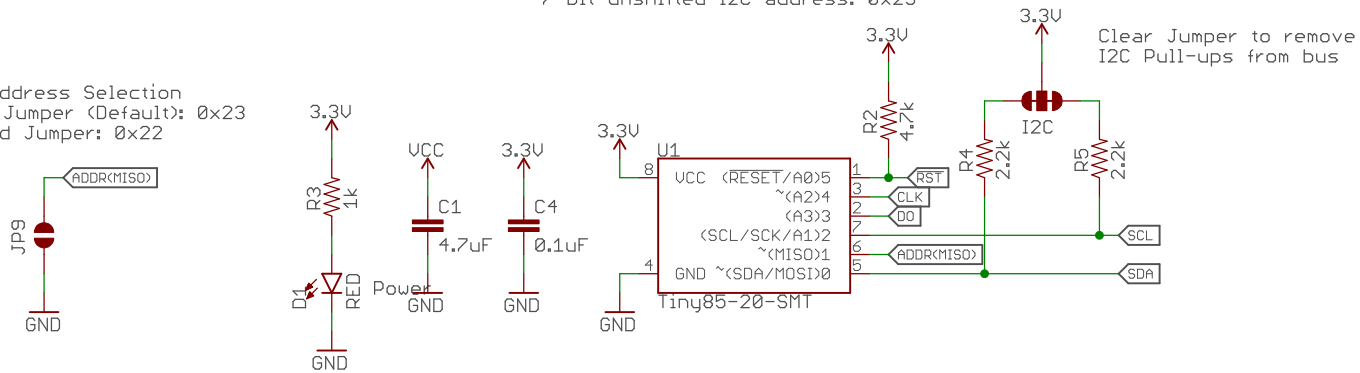


7-bit unshifted I2C address: 0x23

I2C Address Selection  
 Open Jumper (Default): 0x23  
 Closed Jumper: 0x22



Released under the Creative Commons Attribution Share-Alike 4.0 License  
<https://creativecommons.org/licenses/by-sa/4.0/>



TITLE: Qwiic LED Stick

Design by: Ciara Jekel

REV: 1

Date: 6/11/2018 1:06 PM

Sheet: 1/1