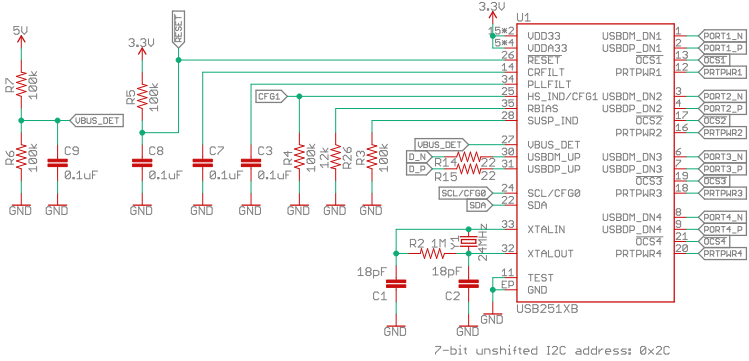
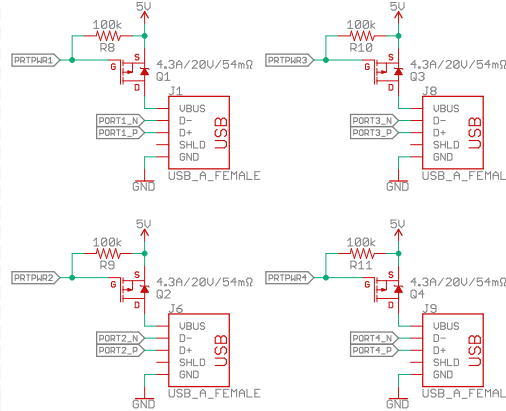


USB Hub

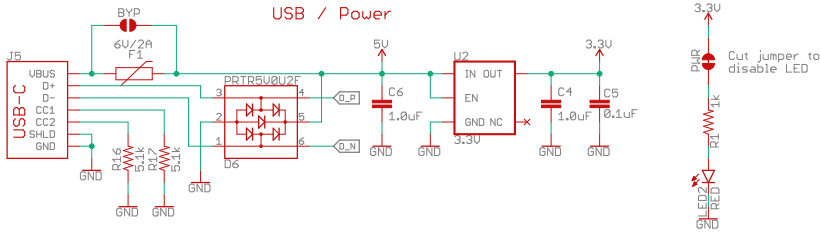


USB Ports

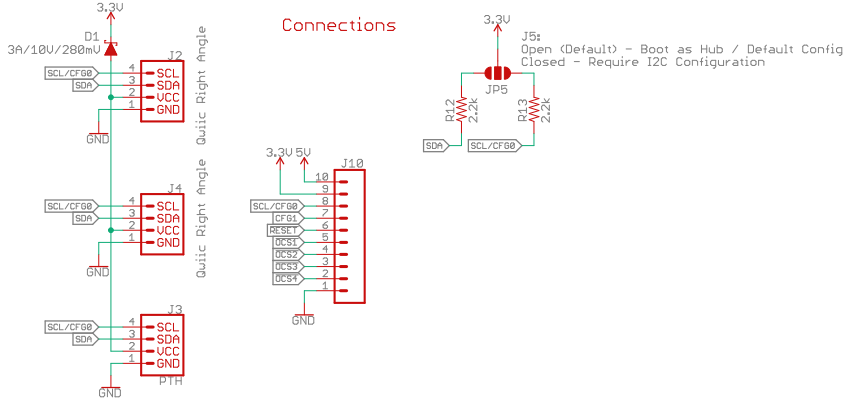


Closing jumper bypasses PTC to allow >2A current flows.

USB / Power



Connections



Released under the Creative Commons Attribution Share-Alike 4.0 License
<https://creativecommons.org/licenses/by-sa/4.0/>

TITLE: Qwiic-USB_Hub

Design by: _____ REV: U12

Date: 4/16/2021 8:27 PM Sheet: 1/1