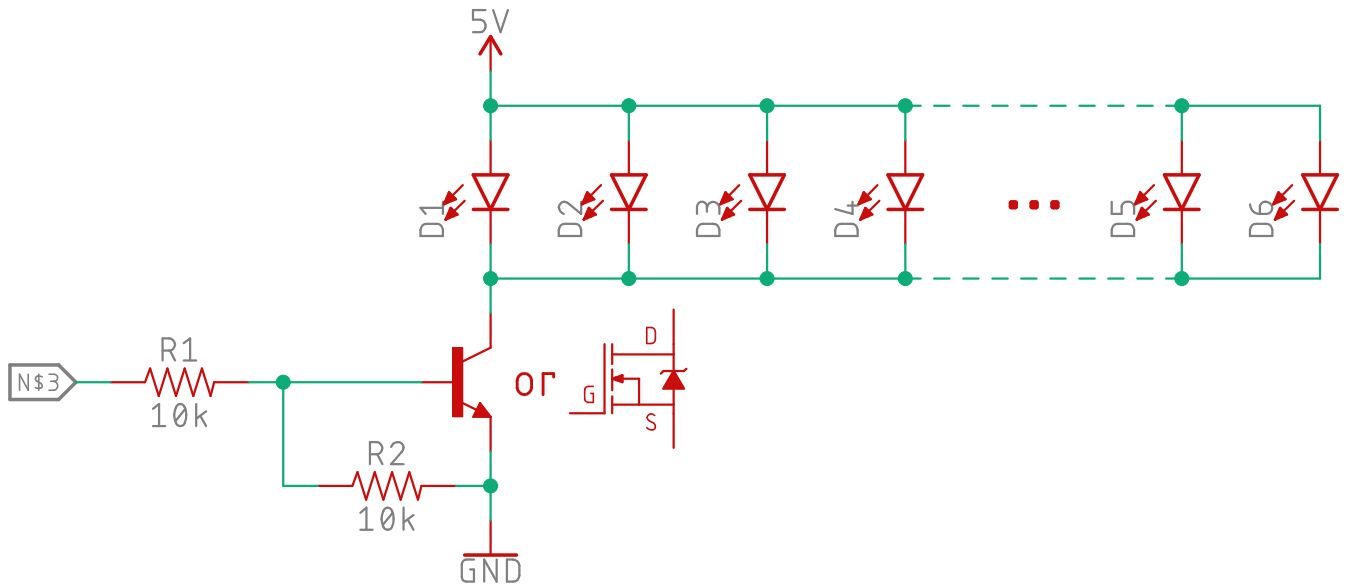
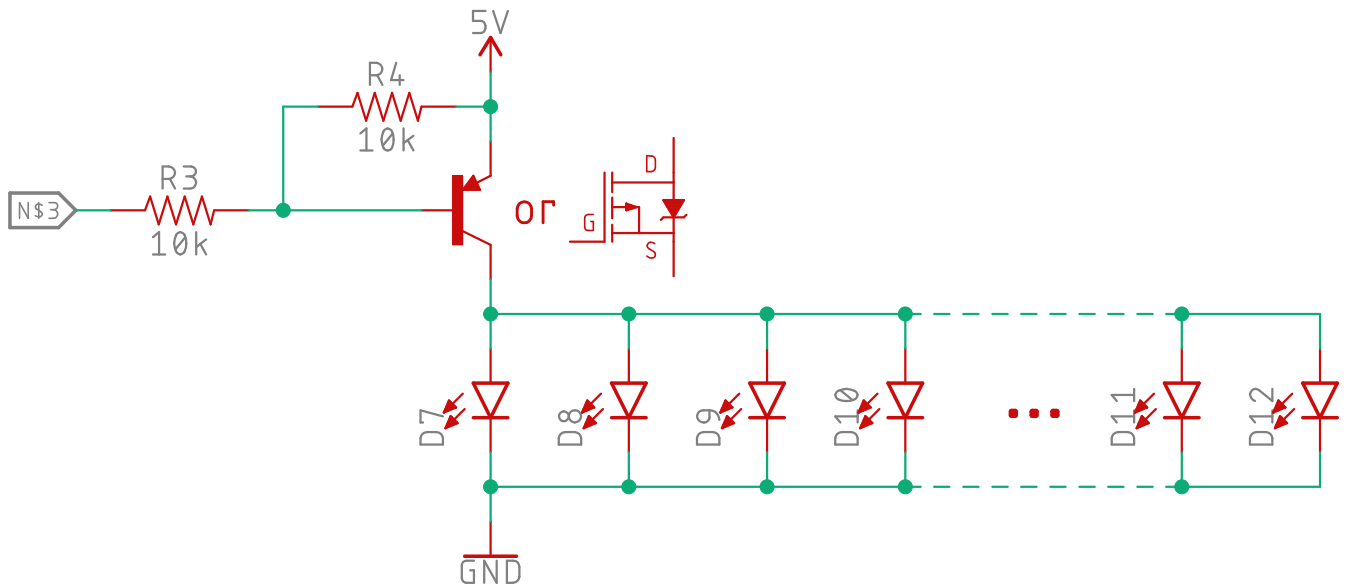


NPN Transistor or N-Channel MOSFET



PNP Transistor or P-Channel MOSFET (You MUST invert the signal logic)



Released under the Creative Commons
Attribution Share-Alike 4.0 License
<https://creativecommons.org/licenses/by-sa/4.0/>

TITLE: 0-Wire Example

Design by: N.Poole

REV:
>REV

Date: 9/23/2022 1:59 PM

Sheet: 1/1