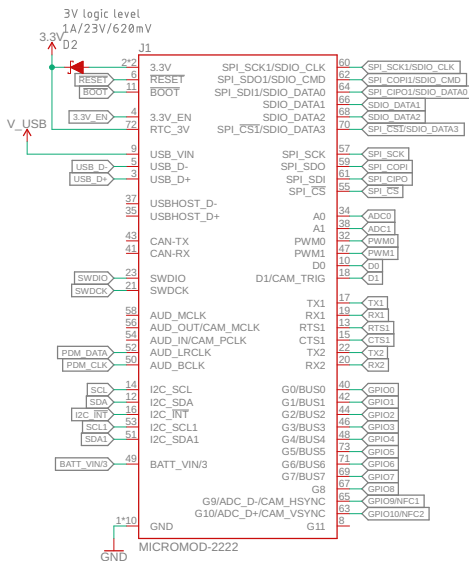
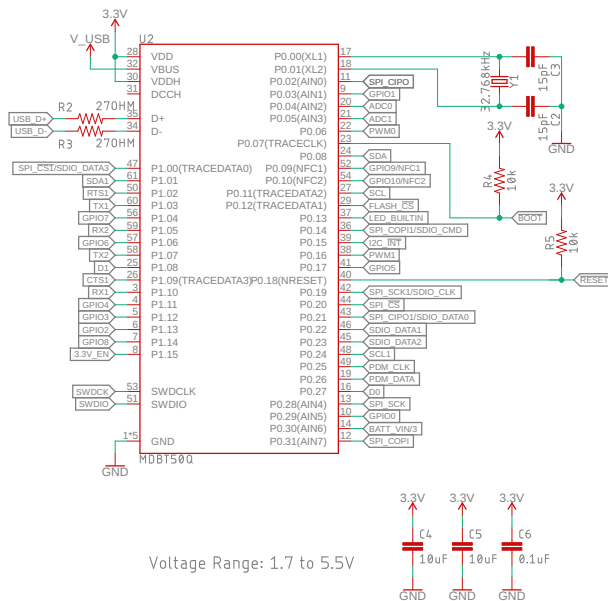


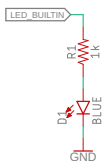
MicroMod Connector



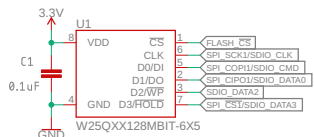
nRF52840



Status LED



128Mb Flash



Released under the Creative Commons Attribution Share-Alike 4.0 License <a href="https://creativecommons.org/licenses/by-sa/4.0/">https://creativecommons.org/licenses/by-sa/4.0/</a>		Special Instructions
TITLE: MicroMod-nRF52840-Processor-Board		
Design by: Priyanka Makin		REV: v10
Date: 11/10/2020 1:59 PM	Sheet: 1/1	