

# MicroMod ESP32 Processor Board

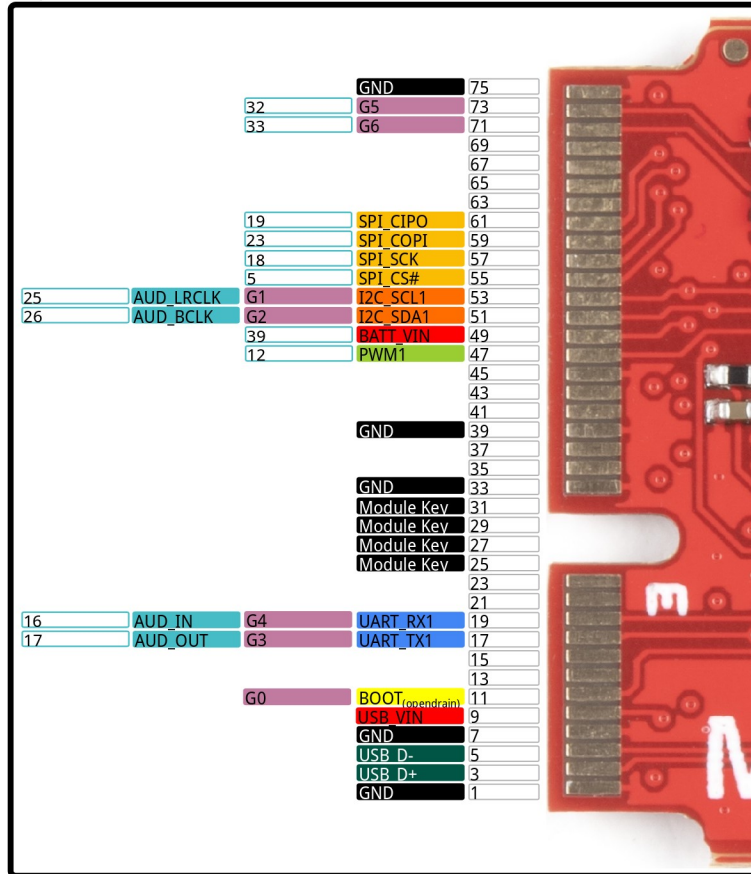
## WRL-16781

### Dedicated GPIO

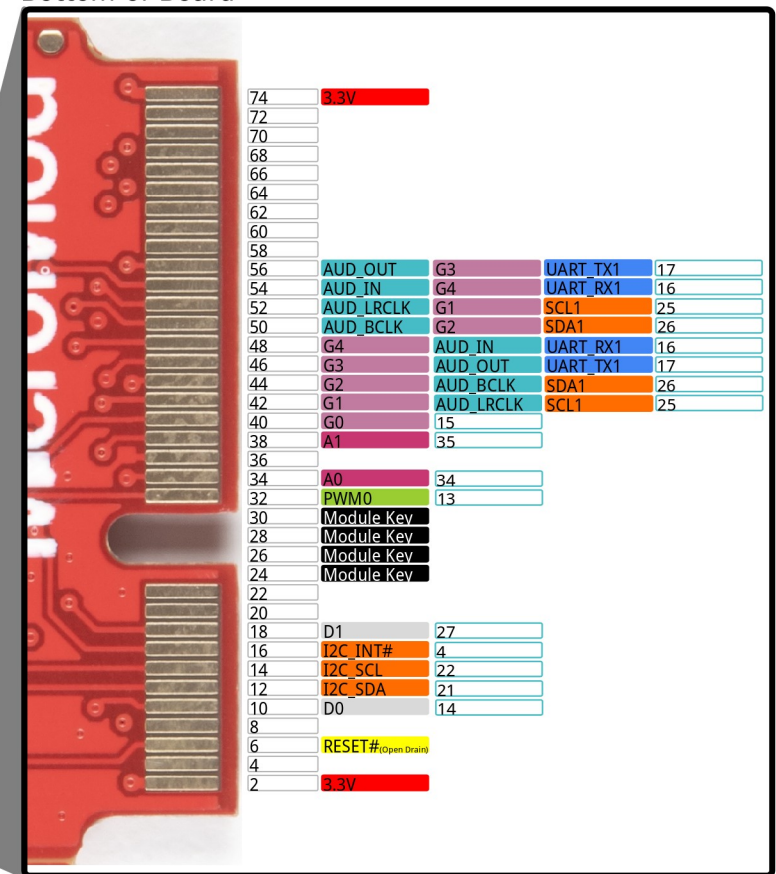
A0 - ESP32 pin 34, MicroMod pad 34 (Input Only!)  
 A1 - ESP32 pin 35, MicroMod pad 38 (Input Only!)  
 D0 - ESP32 pin 14, MicroMod pad 10  
 D1 - ESP32 pin 27, MicroMod pad 18  
 PWM0 - ESP32 pin 13, MicroMod pad 32  
 PWM1 - ESP32 pin 12, MicroMod pad 47  
 Primary SPI - ESP32 Pins 5/18/23/19, MicroMod Pins 55/57/59/61  
 Primary I<sup>2</sup>C - ESP32 Pins 21/22, MicroMod Pins 12/14  
 I<sup>2</sup>C Interrupt - ESP32 Pin 4, MicroMod Pin 16

Pin Number	Power	GND	Control
Digital Pin	ADC	PWM	Serial UART
I <sup>2</sup> C	SPI	CAN	USB
SWD	Audio	Camera	General/Bus
SDIO	Arduino		

Top of Board



Bottom of Board



### Power

Operating: 2.7 to 3.6V  
 500uA sleep current (hibernation)  
 Maximum current: 3.3V

### ESP32

Dual-core Tensilica LX6 microprocessor  
 Clock frequency: Up to 240MHz  
 520kB internal SRAM  
 16MB Flash Storage

### Wireless

Integrated 802.11 B/G/N WiFi transceiver

### LED

Stat (D2): Blue

### Other

Hardware accelerated encryption (AES, SHA2, ECC, RSA-4096)  
 10-electrode capacitive touch support

### General Purpose/Shared GPIO

G0 - GPIO pin 15, MicroMod pad 40  
 G1 - GPIO pin 25, MicroMod pad 42 - Shared with I2S bus and secondary I<sup>2</sup>C bus.  
 G2 - GPIO pin 26, MicroMod pad 44 - Shared with I2S bus and secondary I<sup>2</sup>C bus.  
 G3 - GPIO pin 17, MicroMod pad 46 - Shared with I2S bus and secondary UART.  
 G4 - GPIO pin 16, MicroMod pad 48 - Shared with I2S bus and secondary UART.  
 G5 - GPIO pin 32, MicroMod pad 73 - Shared with 32KHz RTC crystal.  
 G6 - GPIO pin 33, MicroMod pad 71 - Shared with 32KHz RTC crystal.

**MicroMod**

