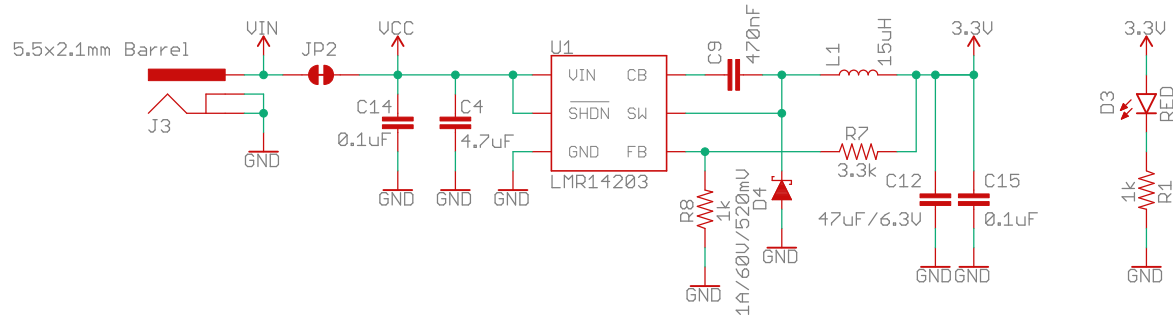
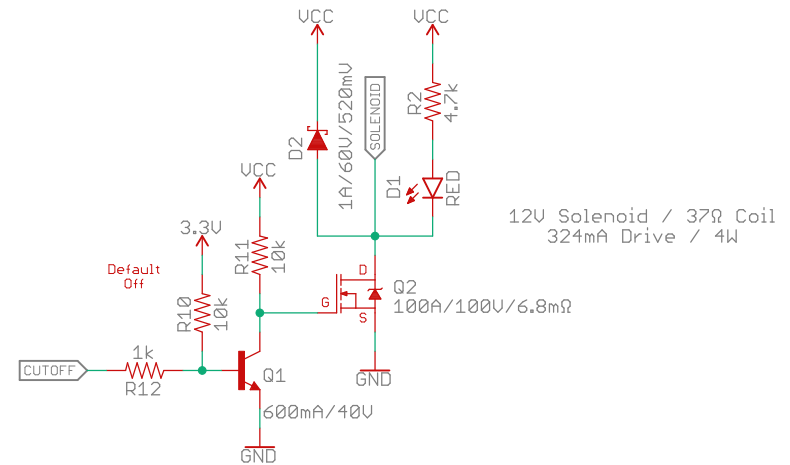


42V Max Input

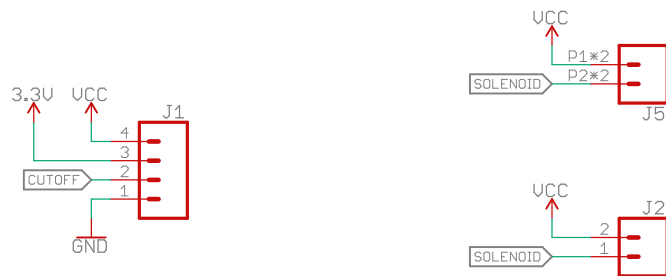
3.3V Buck



High Voltage Control



Valve/Solenoid



Released under the Creative Commons Attribution Share-Alike 4.0 License
<https://creativecommons.org/licenses/by-sa/4.0/>



TITLE: MOSFET_Power_Switch

Design by:

REV: v10

Date: 1/31/2023 8:02 PM

Sheet: 1/1