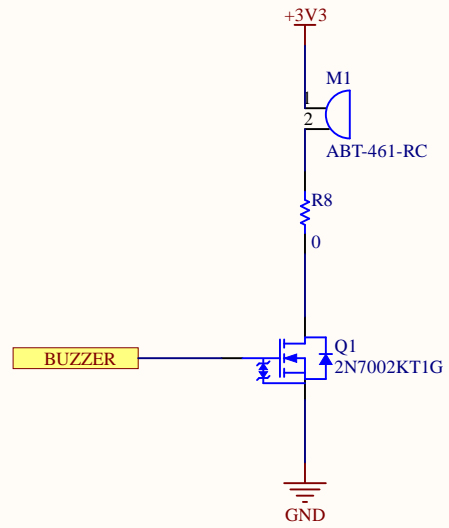
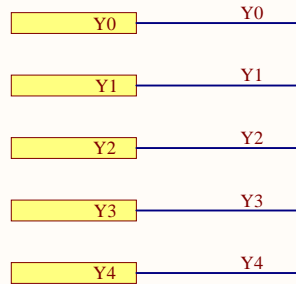
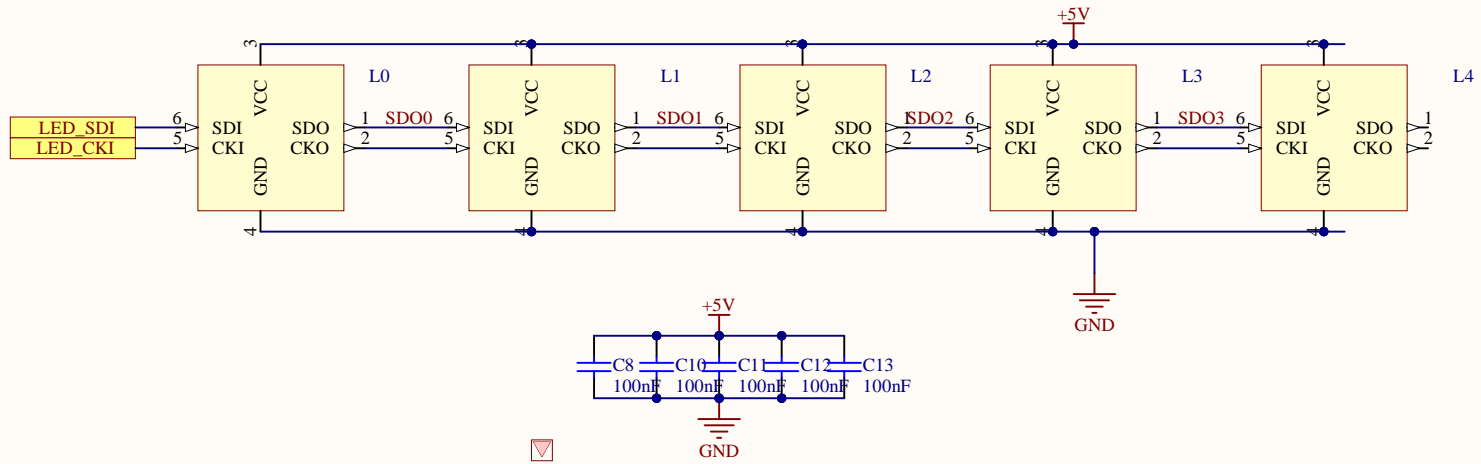


BUZZER



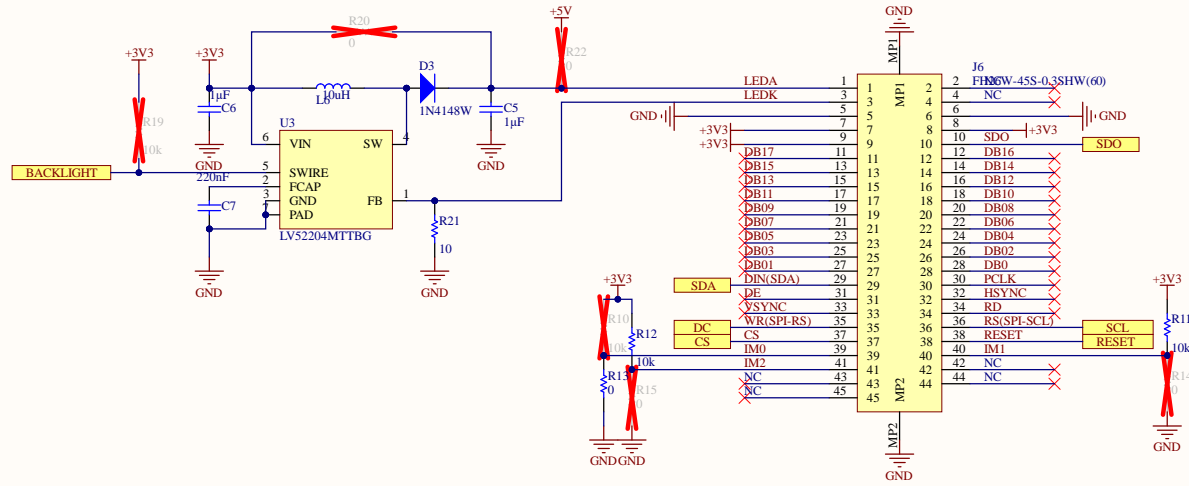
Title		
Size	Number	Revision
A		
Date:	1/20/2021	Sheet of
File:	C:\Users\...\BUZZER.SchDoc	Drawn By:

TOUCH SENSORS AND RGB LEDs

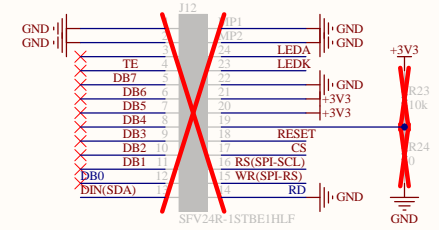


Title		
Size	Number	Revision
A		
Date:	1/20/2021	Sheet of
File:	C:\Users\...\CAPACITIVE_SENSOR.SchDoc	Drawn By:

DISPLAY



Circular Display (Retail)



Cannot open file C:\Users\EE\Desktop\IoT_Carrier\Display4-serial-L.png. File does not exist.

Cannot open file C:\Users\EE\Desktop\IoT_Carrier\Display\DisplayNote2.png. File does not exist.

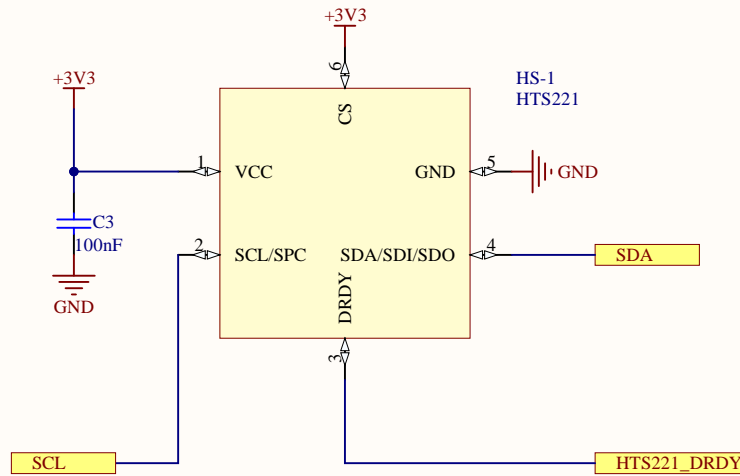
Cannot open file C:\Users\EE\Desktop\IoT_Carrier\Display\DisplayNote3.png. File does not exist.

Cannot open file C:\Users\EE\Desktop\IoT_Carrier\Display\DisplayNote4.png. File does not exist.

Cannot open file C:\Users\EE\Desktop\IoT_Carrier\Display\DisplayNote5.png. File does not exist.

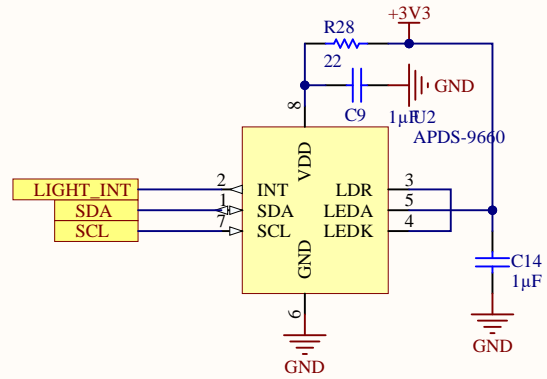
Title		
Size	Number	Revision
A3		
Date:	1/20/2021	Sheet of
File:	C:\Users\EE\Desktop\IoT_Carrier\DISPLAY.SchDoc	Drawn By:

HUMIDITY & TEMPERATURE SENSOR



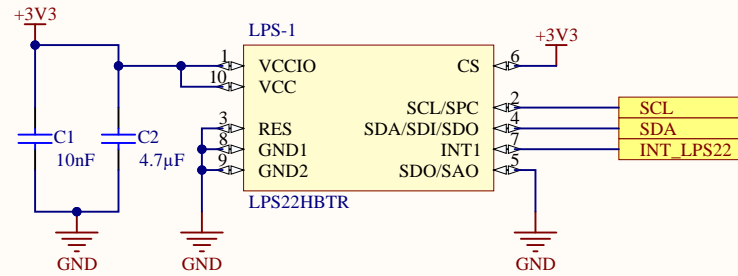
Title		
Size A	Number	Revision
Date: 1/20/2021	Sheet of	
File: C:\Users\...\HTS221.SchDoc	Drawn By:	

AMBIENT LIGHT SENSOR



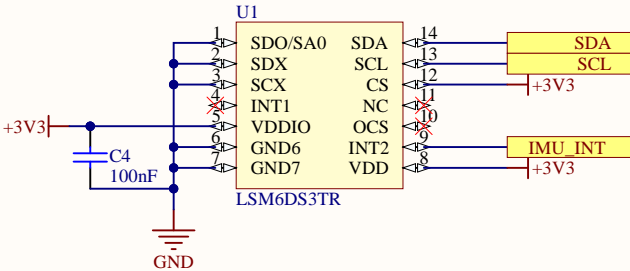
Title		
Size	Number	Revision
A		
Date:	1/20/2021	Sheet of
File:	C:\Users\...\LIGHT_SEN.SchDoc	Drawn By:

BAROMETRIC SENSOR



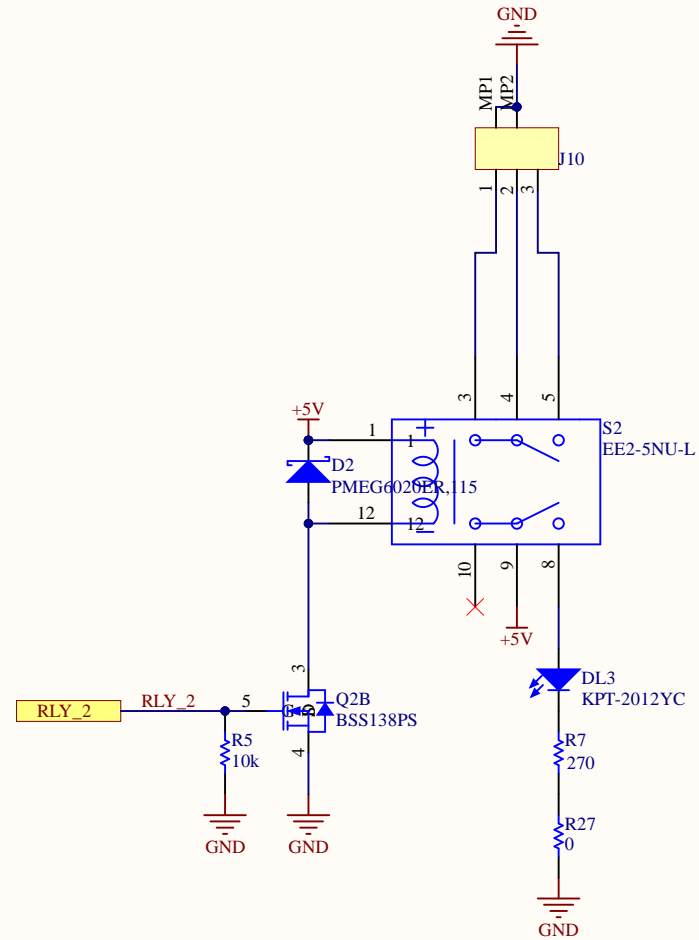
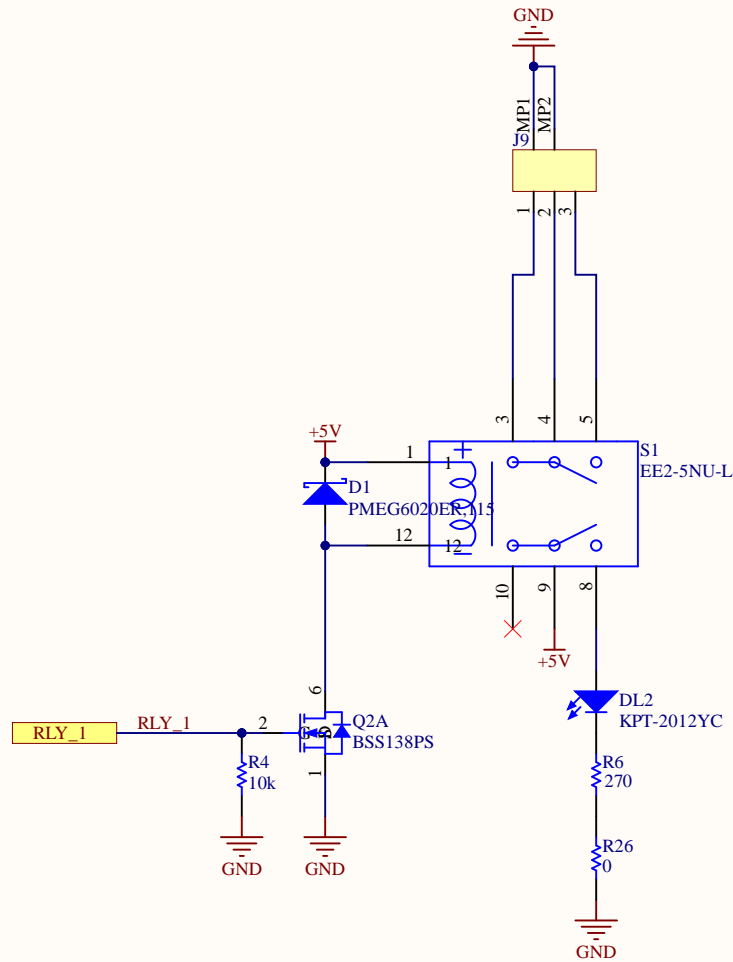
Title		
Size	Number	Revision
A		
Date:	1/20/2021	Sheet of
File:	C:\Users\...\LPS22HB.SchDoc	Drawn By:

IMU SENSOR

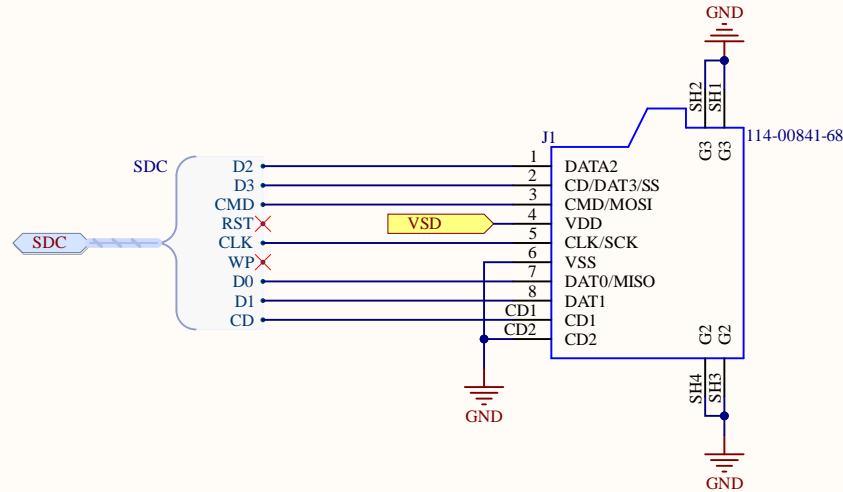


Title		
Size	Number	Revision
A		
Date:	1/20/2021	Sheet of
File:	C:\Users\...\LSM6DS3.SchDoc	Drawn By:

RELAYS

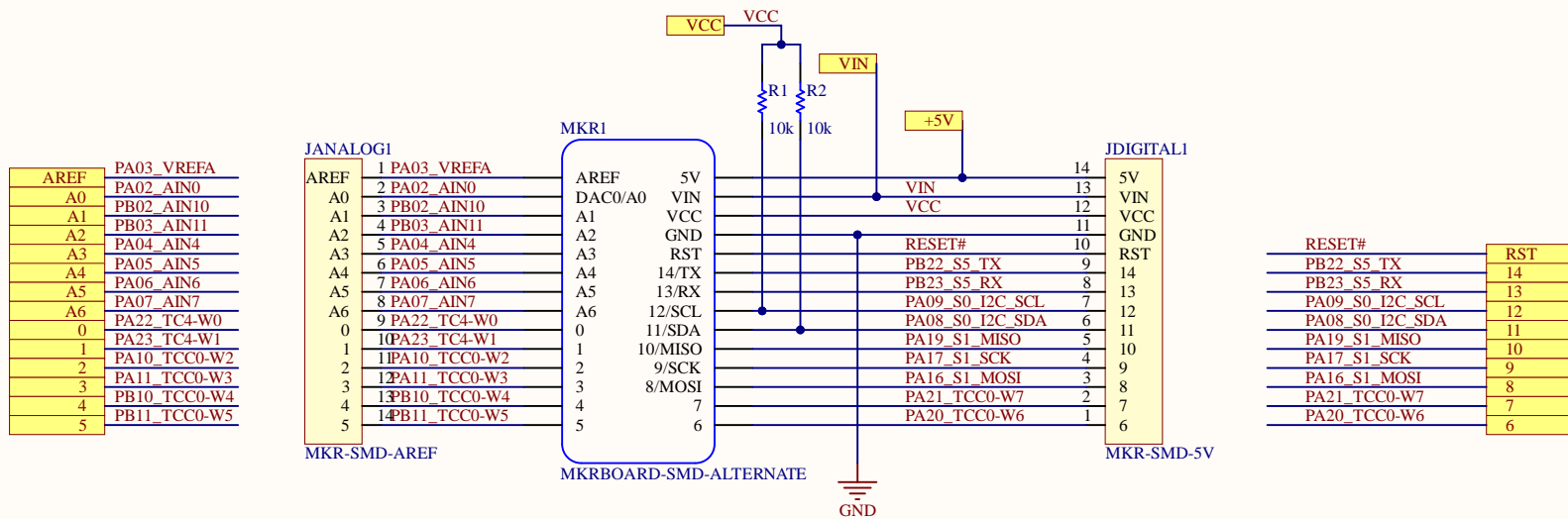


Title		
Size	Number	Revision
A		
Date:	1/20/2021	Sheet of
File:	C:\Users\...\RELAYS.SchDoc	Drawn By:





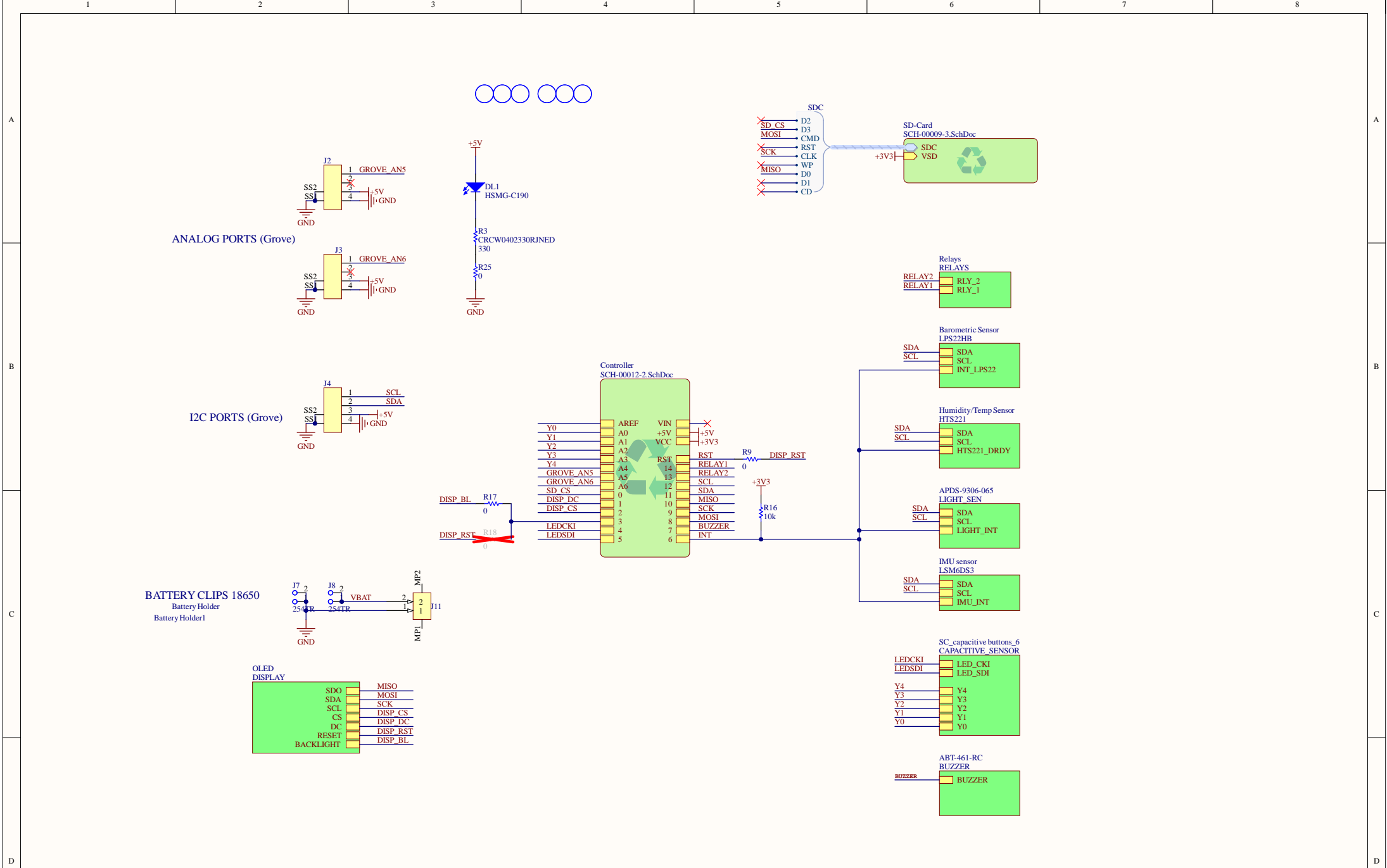
Reference Designs ARE PROVIDED "AS IS" AND "WITH ALL FAULTS. Arduino SA DISCLAIMS ALL OTHER WARRANTIES, EXPRESS OR IMPLIED, REGARDING PRODUCTS, INCLUDING BUT NOT LIMITED TO, ANY IMPLIED WARRANTIES OF MERCHANTABILITY OR FITNESS FOR A PARTICULAR PURPOSE. Arduino SA may make changes to specifications and product descriptions at any time, without notice. The Customer must not rely on the absence or characteristics of any features or instructions marked "reserved" or "undefined". Arduino SA reserves these for future definition and shall have no responsibility whatsoever for conflicts or incompatibilities arising from future changes to them. The product information on the Web Site or Materials is subject to change without notice. Do not finalize a design with this info. ARDUINO and other Arduino brands and logos and Trademarks of Arduino SA. All Arduino SA Trademarks cannot be used without owner's formal permission.

Title: SD Connector		 	
ID: *	Revision: *		
Date: 20/01/2021	Time: 14:42:20	Sheet of *	RevAuthor: *
File: SCH-00009-3.SchDoc		Author:	



Reference Designs ARE PROVIDED "AS IS" AND "WITH ALL FAULTS. Arduino SA DISCLAIMS ALL OTHER WARRANTIES, EXPRESS OR IMPLIED, REGARDING PRODUCTS, INCLUDING BUT NOT LIMITED TO, ANY IMPLIED WARRANTIES OF MERCHANTABILITY OR FITNESS FOR A PARTICULAR PURPOSE. Arduino SA may make changes to specifications and product descriptions at any time, without notice. The Customer must not rely on the absence or characteristics of any features or instructions marked "reserved" or "undefined". Arduino SA reserves these for future definition and shall have no responsibility whatsoever for conflicts or incompatibilities arising from future changes to them. The product information on the Web Site or Materials is subject to change without notice. Do not finalize a design with this info. ARDUINO and other Arduino brands and logos and Trademarks of Arduino SA. All Arduino SA Trademarks cannot be used without owner's formal permission.

Title: *		Revision:*		 
ID:*	Date: 20/01/2021	Time: 14:42:22	Sheet of *	
File: SCH-00012-2.SchDoc	Author:		RevAuthor: *	



Reference Designs ARE PROVIDED "AS IS" AND "WITH ALL FAULTS". Arduino SA DISCLAIMS ALL OTHER WARRANTIES, EXPRESS OR IMPLIED, REGARDING PRODUCTS, INCLUDING BUT NOT LIMITED TO, ANY IMPLIED WARRANTIES OF MERCHANTABILITY OR FITNESS FOR A PARTICULAR PURPOSE.
 Arduino SA may make changes to specifications and product descriptions at any time, without notice. The Customer must not rely on the absence or characteristics of any features or instructions marked "reserved" or "undefined".
 Arduino SA reserves these for future definition and shall have no responsibility whatsoever for conflicts or incompatibilities arising from future changes to them. The product information on the Web Site or Materials is subject to change without notice.
 Do not finalize a design with this info. ARDUINO and other Arduino brands and logos and Trademarks of Arduino SA. All Arduino SA Trademarks cannot be used without owner's formal permission.