

ArduCam[®]

M12 MOUNT LENS HOLDER

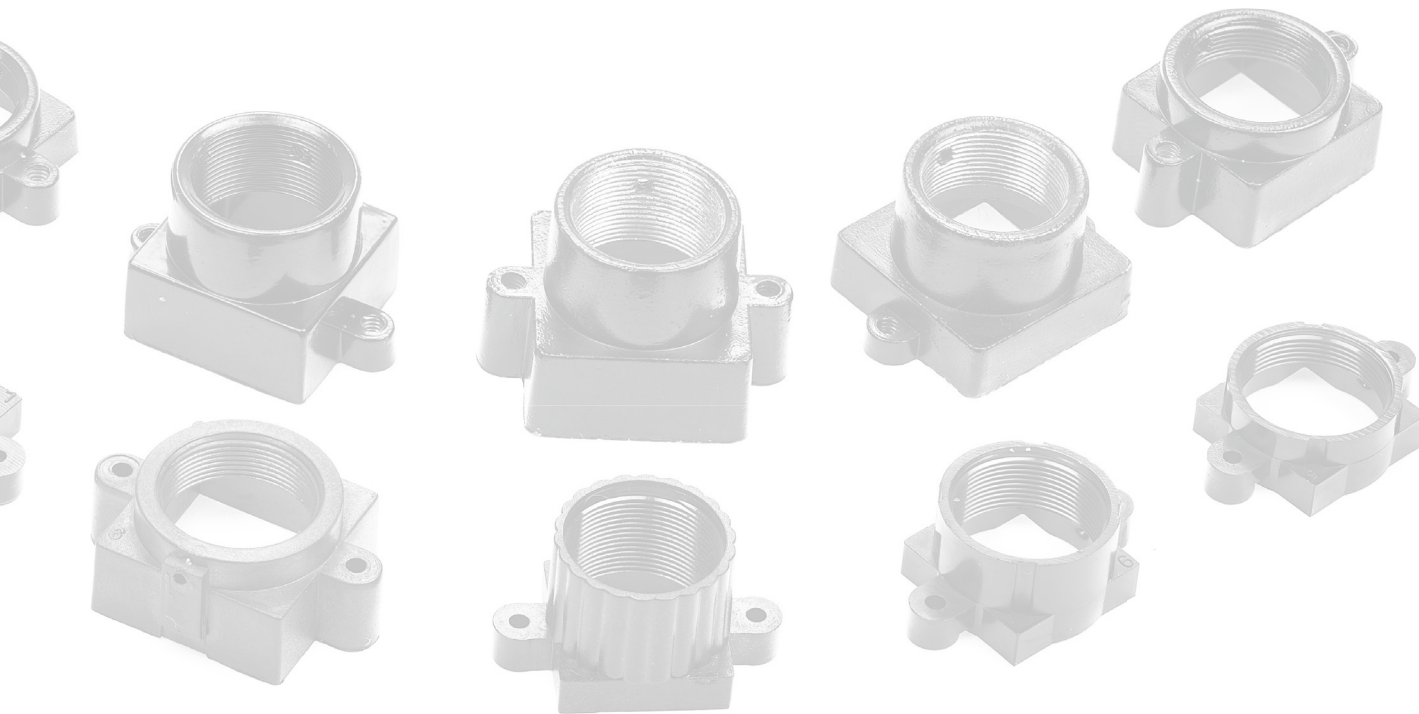
...

by Arducam



PREFACE

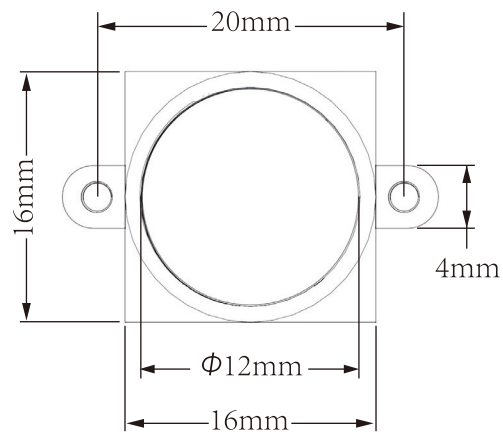
As a professional camera seller and manufacturer, Arducam wants to make it as easy as possible for our customer to get what they want. After the release of many M12 lenses, it's time to introduce a group of M12 mount holders that are needed. This time, Arducam selects and tests a range of M12 mount lens holders in metal and plastic with 18mm and 20mm hole spacing, and provides datasheets and mechanical drawing that you might need in your project. M12 mount lens holders are finally becoming organized.



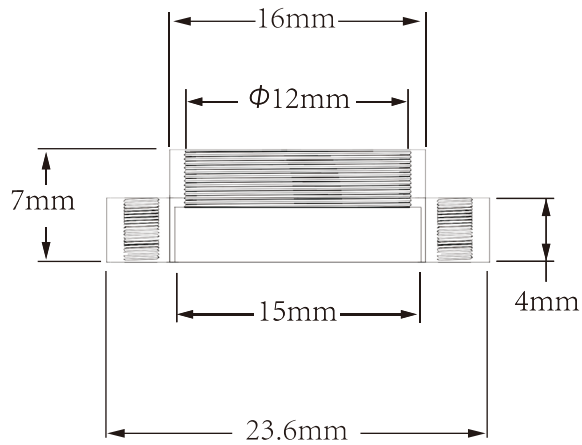
M12 MOUNT LENS HOLDER

METAL

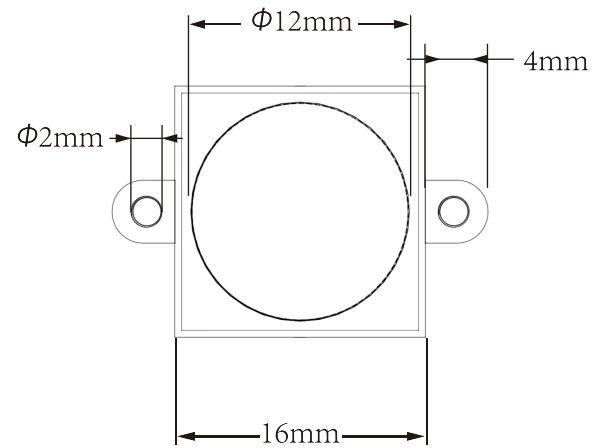




top



side



bottom



Real Product

REVISION HISTORY

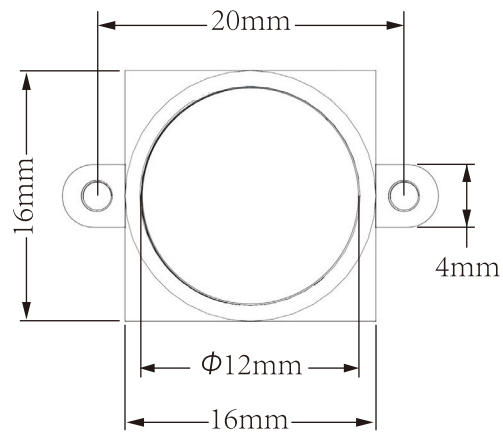
REV	DESCRIPTION	DATE	APPROVED
preliminary			

	NAME	DATE
DRAWN	J. LI	19/09/2016
CHECKED	X.P. LI	20/09/2016
ENG APPR	K. ZHANG	20/09/2016
MGR APPR	L. Jiang	21/09/2016

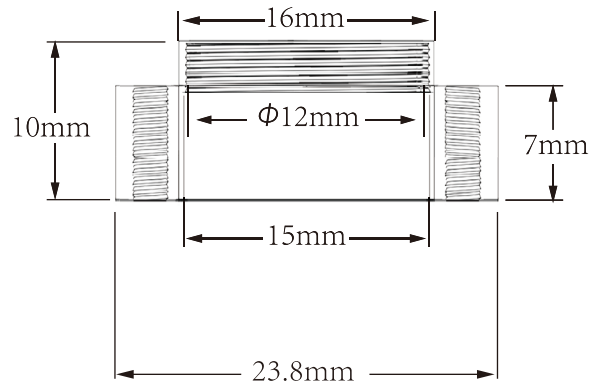
ArduCam[®]

M12 LENS HOLDER - MH20161507

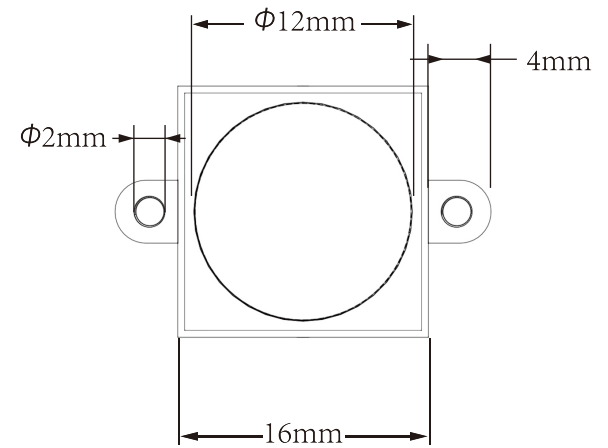
UNLESS OTHERWISE SPECIFIED DIMENSIONS ARE IN MILLIMETERS ANGLES ±0.5° 2 PL ±0.10 3 PL ±0.010		SIZE: A4	DWG NO AC-MH20161507-01	REV: 1.00
FILE NAME: AC-MH20161507-01.pdf				
SCALE:		WEIGHT:		SHEET 1 OF 1



top



side



bottom



Real Product

REVISION HISTORY

REV	DESCRIPTION	DATE	APPROVED
preliminary			

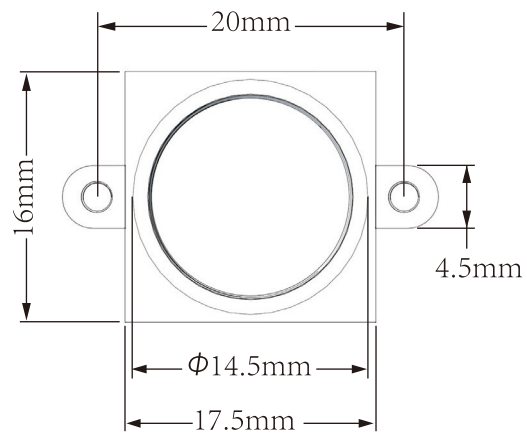
	NAME	DATE
DRAWN	J. LI	19/09/2016
CHECKED	X.P. LI	20/09/2016
ENG APPR	K. ZHANG	20/09/2016
MGR APPR	L. Jiang	21/09/16

ArduCam[®]

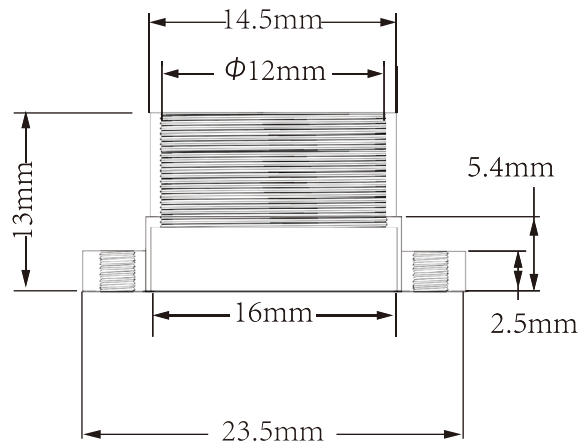
M12 LENS HOLDER - MH20161510

UNLESS OTHERWISE SPECIFIED
DIMENSIONS ARE IN MILLIMETERS
ANGLES ±0.5°
2 PL ±0.10 3 PL ±0.010

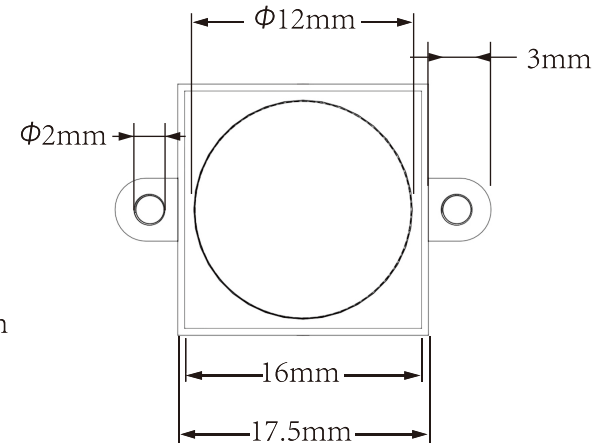
SIZE: A4	DWG NO AC-MH20161510-01	REV: 1.00
FILE NAME: AC-MH20161510-01.pdf		
SCALE:	WEIGHT:	SHEET 1 OF 1



top



side



bottom



Real Product

REVISION HISTORY

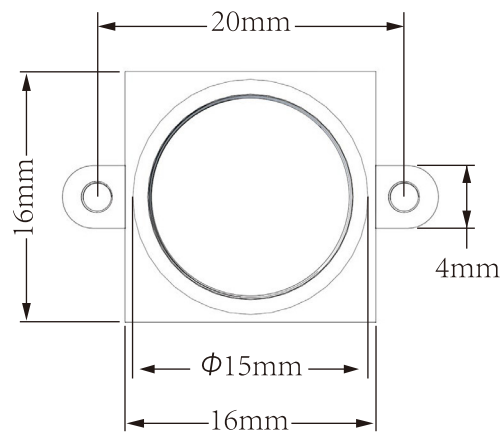
REV	DESCRIPTION	DATE	APPROVED
preliminary			

	NAME	DATE
DRAWN	J. LI	19/09/2016
CHECKED	X.P. LI	20/09/2016
ENG APPR	K. ZHANG	20/09/2016
MGR APPR	L. Jiang	21/09/16

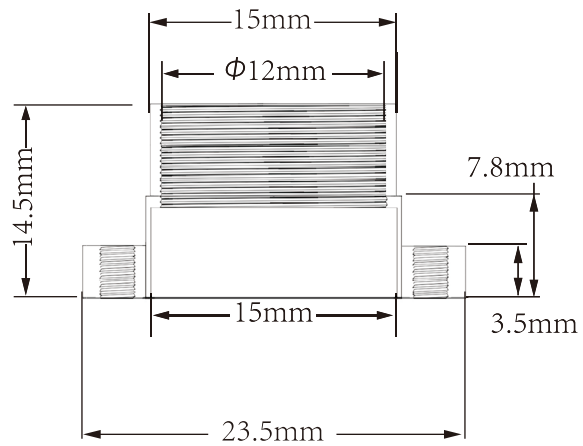
ArduCam[®]

M12 LENS HOLDER - MH20171613

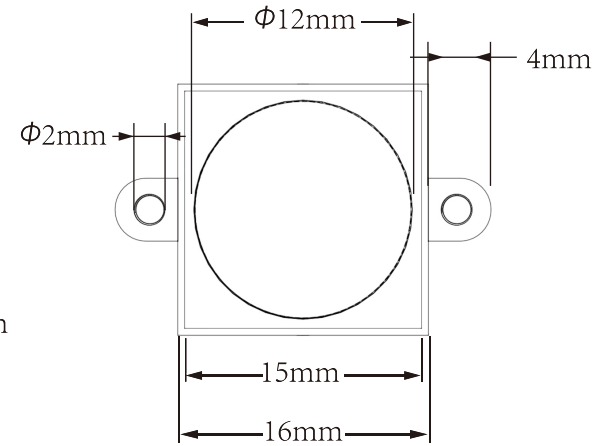
UNLESS OTHERWISE SPECIFIED DIMENSIONS ARE IN MILLIMETERS ANGLES ±0.5° 2 PL ±0.10 3 PL ±0.010		SIZE: A4	DWG NO AC-MH20171613-01	REV: 1.00
FILE NAME: AC-MH20171613-01.pdf				
SCALE:	WEIGHT:	SHEET 1 OF 1		



top



side



bottom



Real Product

REVISION HISTORY

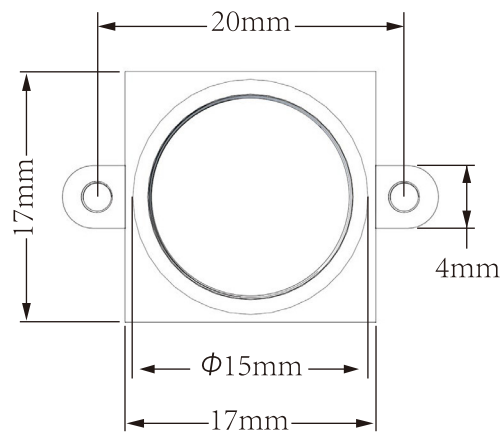
REV	DESCRIPTION	DATE	APPROVED
preliminary			

	NAME	DATE
DRAWN	J. LI	19/09/2016
CHECKED	X.P. LI	20/09/2016
ENG APPR	K. ZHANG	20/09/2016
MGR APPR	L. Jiang	21/09/16

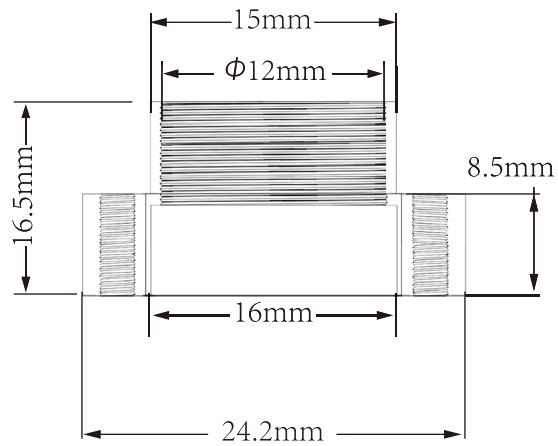
ArduCam[®]

M12 LENS HOLDER - MH20161515

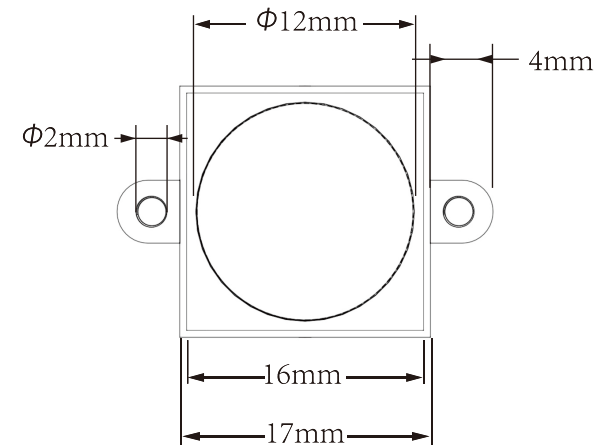
UNLESS OTHERWISE SPECIFIED DIMENSIONS ARE IN MILLIMETERS ANGLES ±0.5° 2 PL ±0.10 3 PL ±0.010		SIZE: A4	DWG NO AC-MH20161515-01	REV: 1.00
FILE NAME: AC-MH20161515-01.pdf				
SCALE:	WEIGHT:	SHEET 1 OF 1		



top



side



bottom



Real Product

REVISION HISTORY

REV	DESCRIPTION	DATE	APPROVED
preliminary			

	NAME	DATE
DRAWN	J. LI	19/09/2016
CHECKED	X.P. LI	20/09/2016
ENG APPR	K. ZHANG	20/09/2016
MGR APPR	L. Jiang	21/09/16

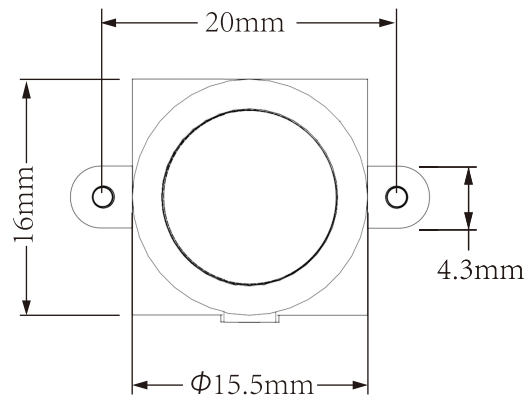
ArduCam[®]		
M12 LENS HOLDER - MH20171617		

UNLESS OTHERWISE SPECIFIED DIMENSIONS ARE IN MILLIMETERS ANGLES ±0.5° 2 PL ±0.10 3 PL ±0.010		SIZE: A4	DWG NO AC-MH20171617-01	REV: 1.00
FILE NAME: AC-MH20171617-01.pdf				
SCALE:	WEIGHT:	SHEET 1 OF 1		

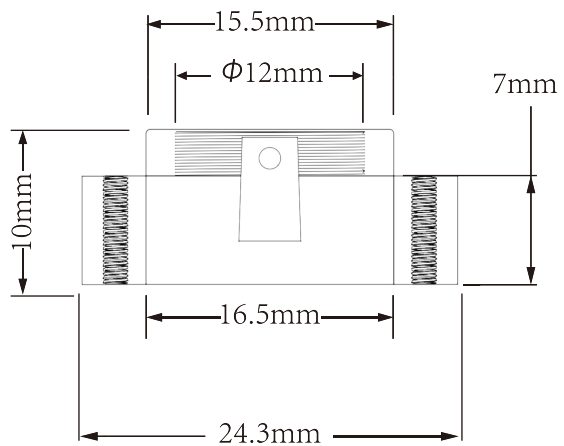
M12 MOUNT LENS HOLDER

PLASTIC

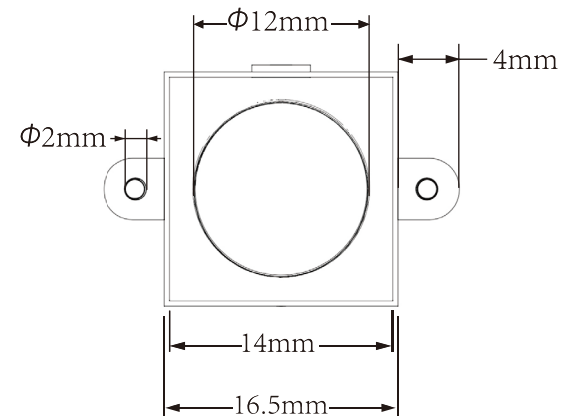




top



side



bottom



Real Product

REVISION HISTORY

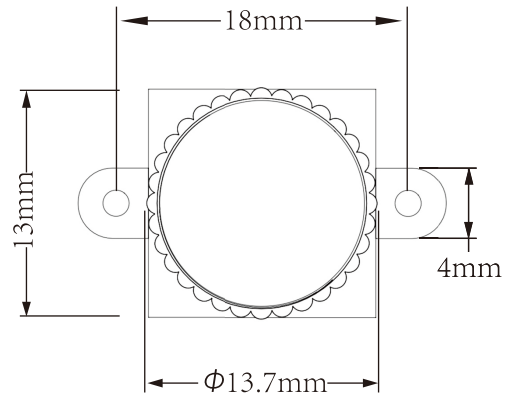
REV	DESCRIPTION	DATE	APPROVED
preliminary			

	NAME	DATE
DRAWN	J. LI	19/09/2016
CHECKED	X.P. LI	20/09/2016
ENG APPR	K. ZHANG	20/09/2016
MGR APPR	L. Jiang	21/09/16

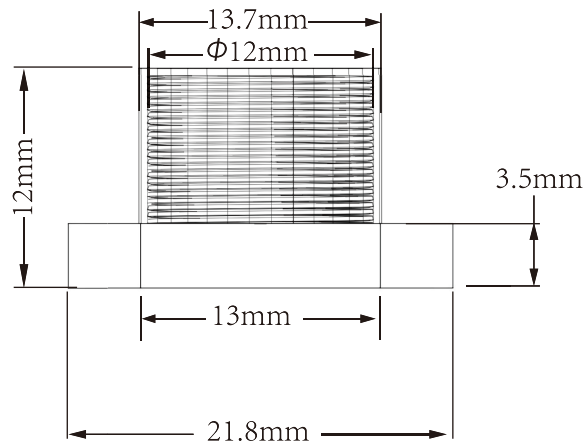
		TITLE M12 LENS HOLDER - MH20171410	

UNLESS OTHERWISE SPECIFIED
 DIMENSIONS ARE IN MILLIMETERS
 ANGLES $\pm 0.5^\circ$
 2 PL ± 0.10 3 PL ± 0.010

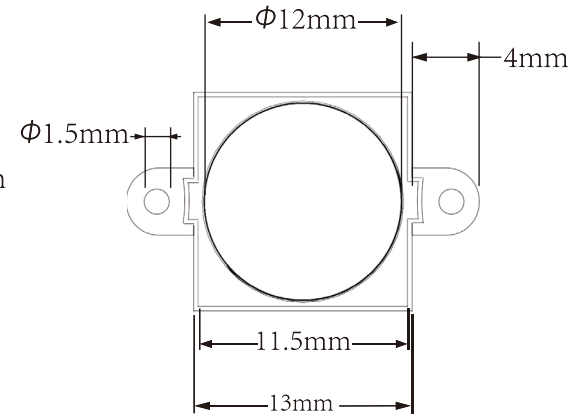
FILE NAME: AC-MH20171410-01.pdf	
SCALE:	WEIGHT: SHEET 1 OF 1



top




side

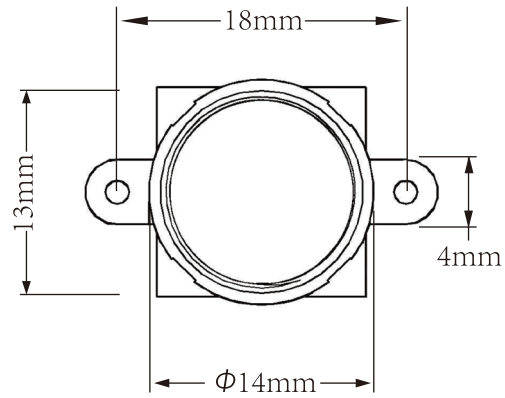


bottom

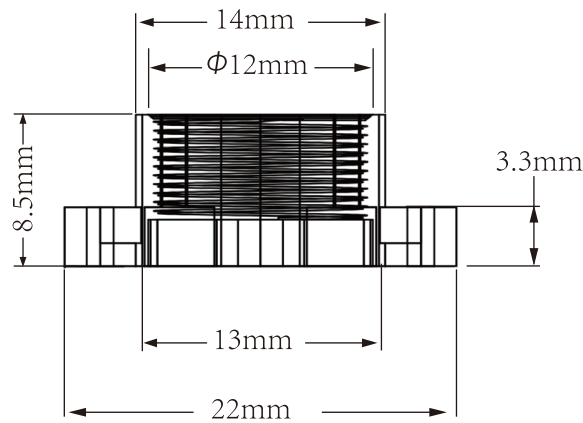


Real Product

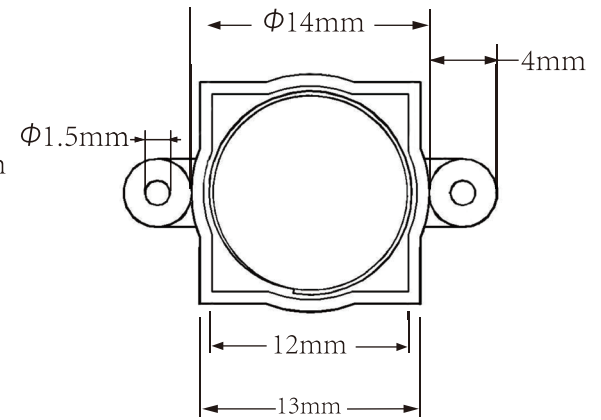
REVISION HISTORY				
REV	DESCRIPTION	DATE	APPROVED	
preliminary				
	NAME	DATE	 M12 LENS HOLDER - MH18131212	
DRAWN	J. LI	19/09/2016		
CHECKED	X.P. LI	20/09/2016		
ENG APPR	K. ZHANG	20/09/2016		
MGR APPR	L. Jiang	21/09/16		
UNLESS OTHERWISE SPECIFIED DIMENSIONS ARE IN MILLIMETERS ANGLES $\pm 0.5^\circ$ 2 PL ± 0.10 3 PL ± 0.010		SIZE: A4	DWG NO AC-MH18131212-01	REV: 1.00
FILE NAME: AC-MH18131212-01.pdf				
SCALE:		WEIGHT:	SHEET 1 OF 1	



top



side



bottom



Real Product

REVISION HISTORY

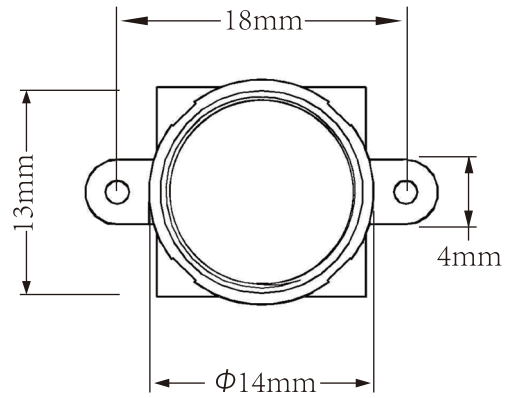
REV	DESCRIPTION	DATE	APPROVED
preliminary			

	NAME	DATE
DRAWN	J. LI	19/09/2016
CHECKED	X.P. LI	20/09/2016
ENG APPR	K. ZHANG	20/09/2016
MGR APPR	L. Jiang	21/09/16

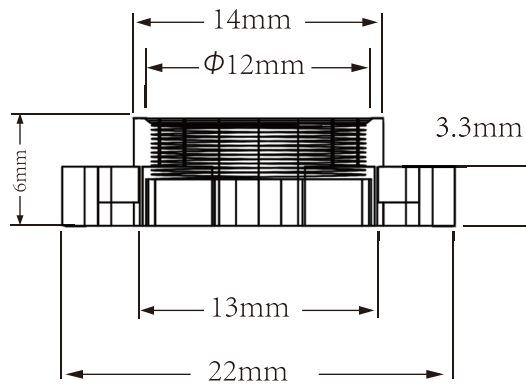
ArduCam[®]

M12 LENS HOLDER - MH18131209

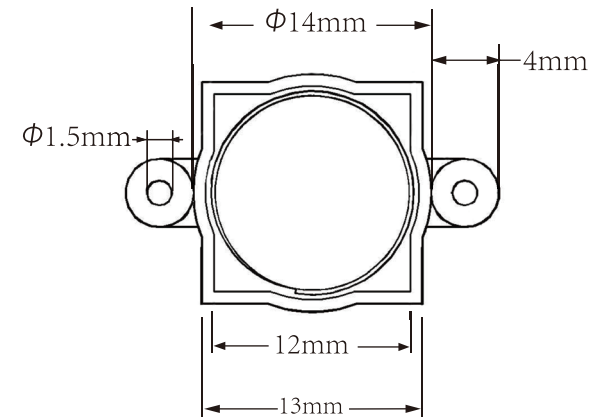
UNLESS OTHERWISE SPECIFIED DIMENSIONS ARE IN MILLIMETERS ANGLES ±0.5° 2 PL ±0.10 3 PL ±0.010		SIZE: A4	DWG NO AC-MH18131209-01	REV: 1.00
FILE NAME: AC-MH18131209-01.pdf				
SCALE:	WEIGHT:	SHEET 1 OF 1		



top



side



bottom



Real Product

REVISION HISTORY

REV	DESCRIPTION	DATE	APPROVED
preliminary			

	NAME	DATE
DRAWN	J. LI	19/09/2016
CHECKED	X.P. LI	20/09/2016
ENG APPR	K. ZHANG	20/09/2016
MGR APPR	L. Jiang	21/09/16

UNLESS OTHERWISE SPECIFIED DIMENSIONS ARE IN MILLIMETERS ANGLES $\pm 0.5^\circ$ 2 PL ± 0.10 3 PL ± 0.010		SIZE: A4	DWG NO AC-MH18131206-01	REV: 1.00
		FILE NAME: AC-MH18131206-01.pdf		
SCALE:	WEIGHT:	SHEET 1 OF 1		