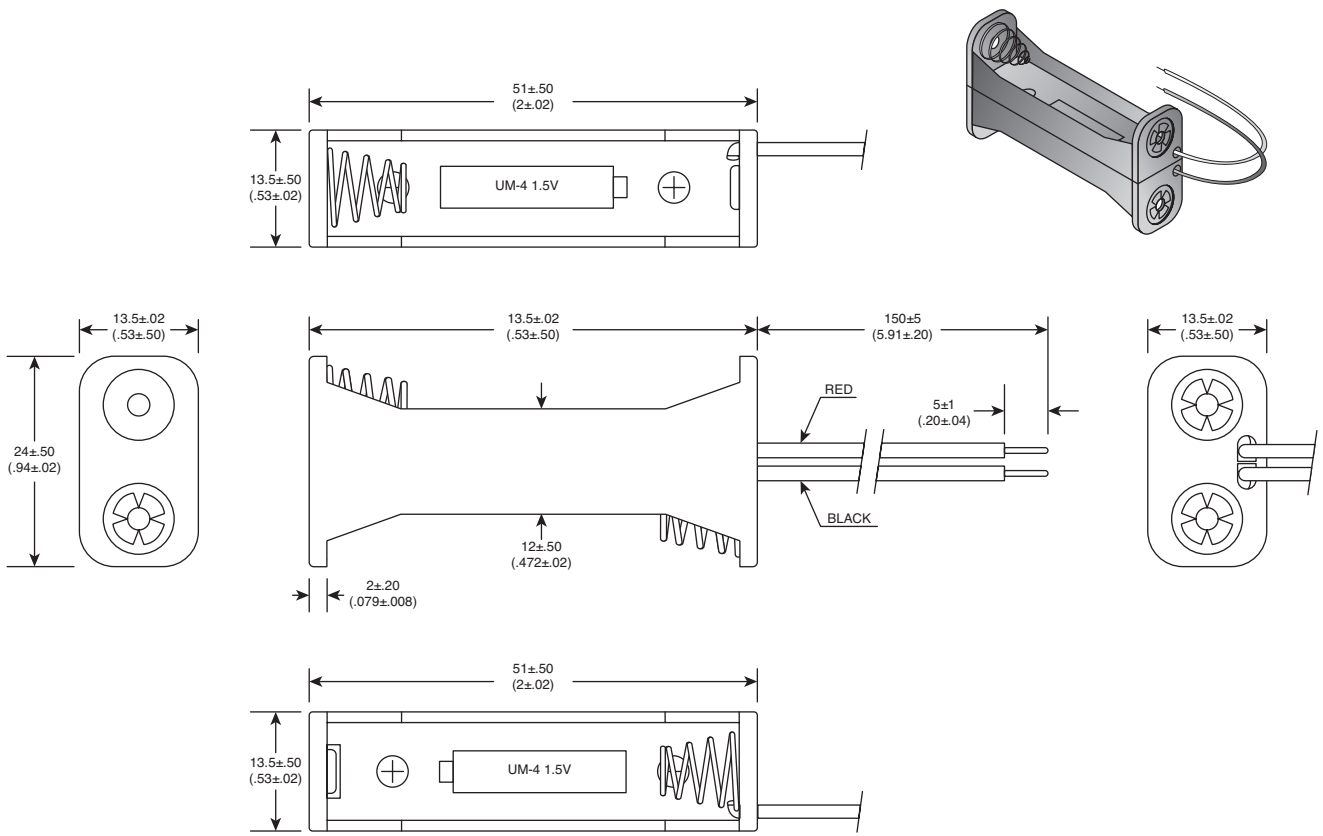


# 2 “AAA” Battery Holder with Wire Leads

12BH422A-GR

**Date Last Revised: 8-6-13**



**DIMENSIONS: mm (in.)**

SPECIFICATIONS	
<b>Wire:</b>	AWG #26 Black & Red 150MM±5MM Strip & Tin 5MM±1MM
<b>Material:</b>	PP Resin, Black Color
<b>Spring:</b>	0.6mm 65C Spring Wire
<b>RoHS Compliant</b>	

**Available from Mouser Electronics**  
**1-800-346-6873 / www.mouser.com**

EPD-200815

Specifications are subject to change without notice. No liability or warranty implied by this information. Environmental compliance based on producer documentation.