

DESCRIPTION

PD(Powered Device) Integrated Module (Isolation Type)

FEATURES

- IEEE802.3af compliant, class 0 (0.44 Watts to 12.95 Watts).
- Low cost.
- Support PoE applications in both of Fast / Gigabit Ethernet environments.
- Support wide input voltage range 36Vdc to 57Vdc.
- Thermal cut off.
- Short circuit protection.
- Over current protection
- High DC/DC converting efficiency.
- Isolation level 1.5KVrms.
- Enhanced surge protection



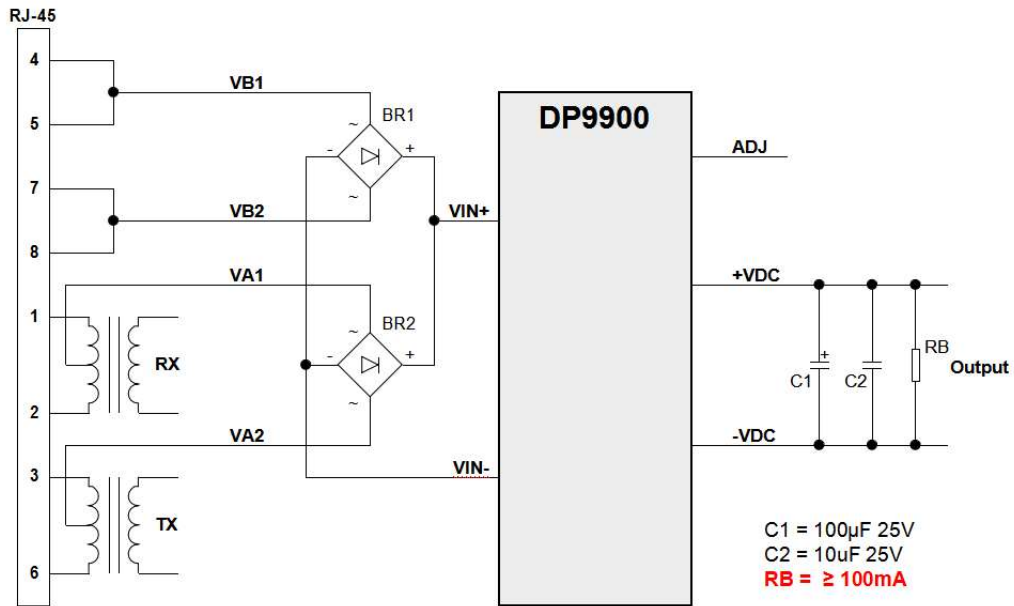
Product List

Part Number	Nominal Output Voltage / Current	Maximum Output Power	Nominal Input Voltage
DP9905	5Vdc / 1.8A	9W @ 25°C	48Vdc
DP9912	12Vdc / 1A	12W @ 25°C	48Vdc
DP9924	24Vdc / 0.5A	12W @ 25°C	48Vdc

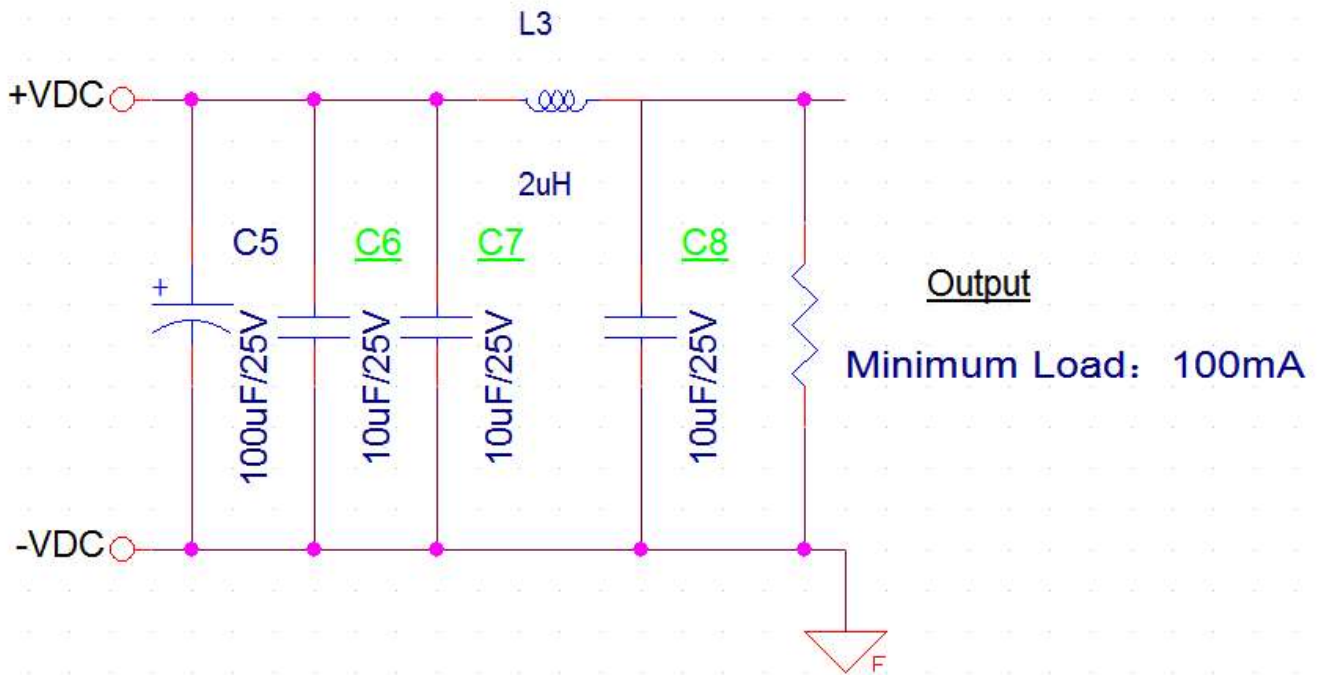
PIN ASSIGNMENT

Pin #	Name	Description
1	+VDC	DC Output. This pin provides the regulated output from the DC/DC converter.
2		
3	-VDC	DC Return. This pin is the return path for the +VDC output.
4	ADJ	Output Adjust. The output voltage can be adjusted from is nominal value, by connecting an external resistor from this pin to either the +VDC pin or the -VDC pin.
5	VIN+	Direct Input +. This pin connects to the positive (+) output of the input bridge rectifiers.
6		
7	VIN-	Direct Input -. This pin connects to the negative (-) output of the input bridge rectifiers.
8		

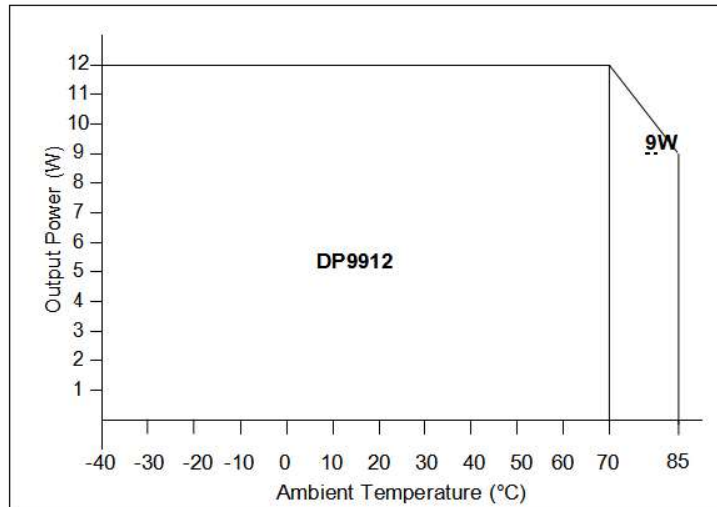
Typical Application



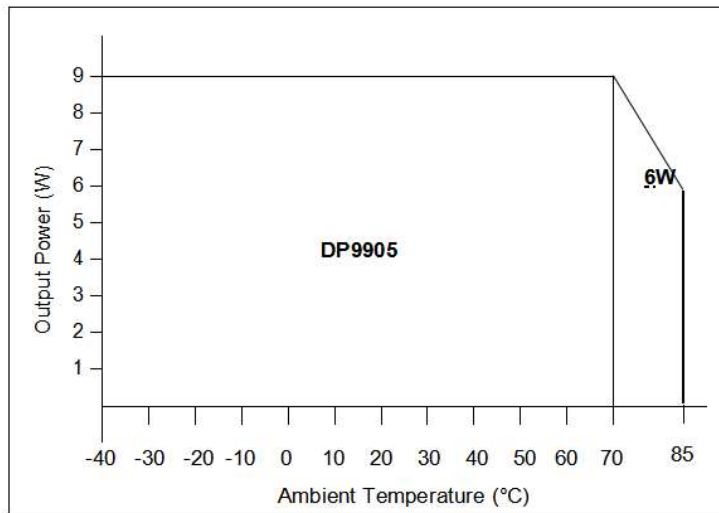
Output Filtering



Operating Temperature Range



DP9912 Operating Profile



DP9905 Operating Profile

Recommended Operating Conditions

	Parameter	Min	Typ	Max	Units
1	Input Supply Voltage	36	48	57	V
2	Under Voltage Lockout	28		36	V
3	Operating Temperature	-40	25	85	°C

Package

