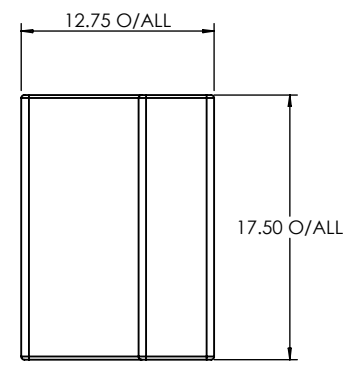
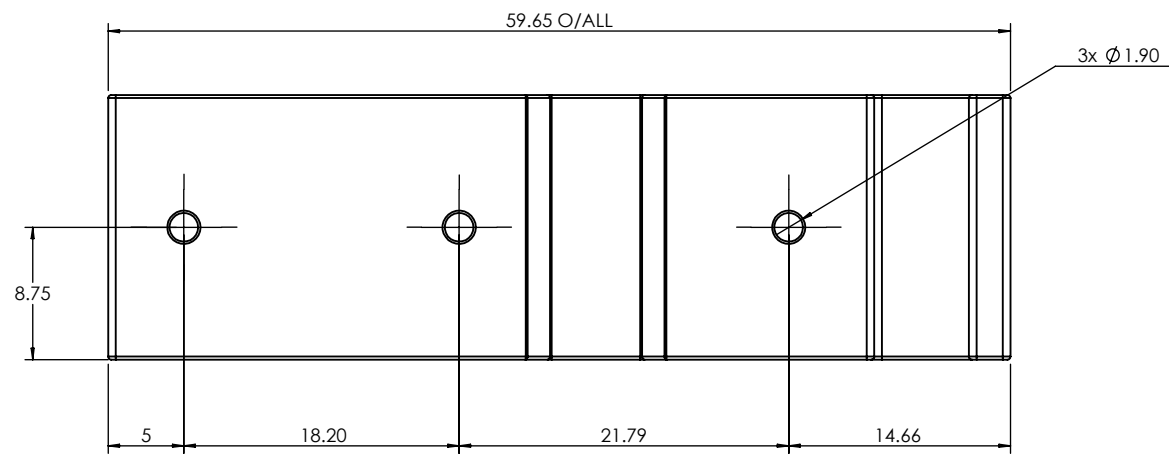
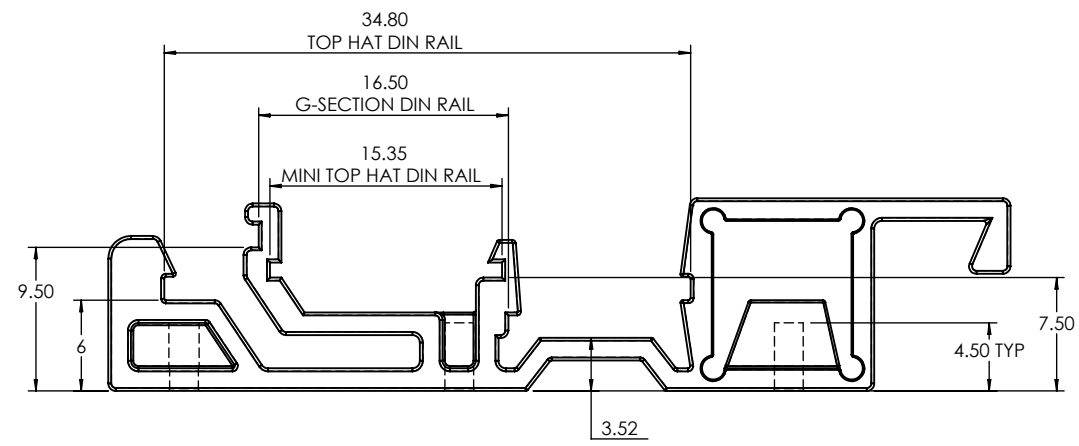
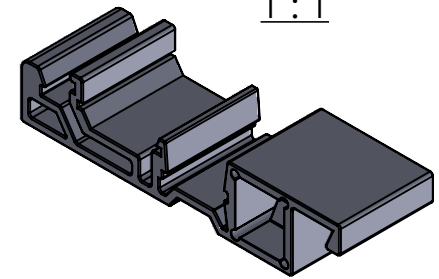




ISO VIEW
1:1



 CAMDENBOSS JAMES CARTER RD, MILDENHALL, SUFFOLK. IP28 7DE TEL: 01638 716101 FAX: 01638 716554 EMAIL: Sales@CamdenBoss.com WEB: www.CamdenBoss.com				UNLESS OTHERWISE SPECIFIED: DIMENSIONS ARE IN MILLIMETERS		DO NOT SCALE DRAWING		REVISION. ○	
				GENERAL TOLERANCES +/- 0.2		TITLE: DIMENSION DRAWING FOR CDR-BRACKET			
DRAWN IAN PAGANO		SIGNED I.P.		DATE 05/09/14		MATERIAL. PA UL 94 - V0 RAL: 9005		DWG NO. CDR-BRACKET	
CHK'D MATHEW WALLACE		SIGNED MJW		DATE 05/01/14		PROJECTION. 		SCALE: 2:1	
								SHEET 1 OF 1	