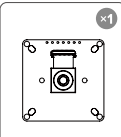
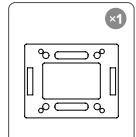
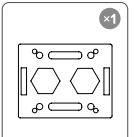
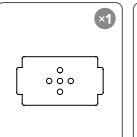
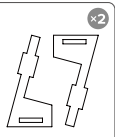
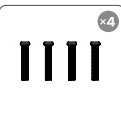
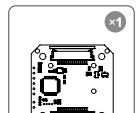

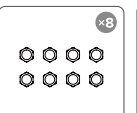

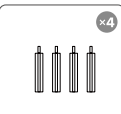
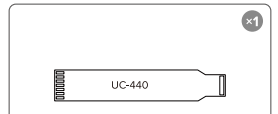
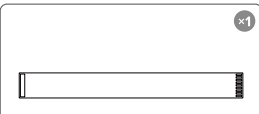
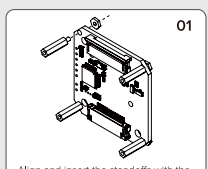
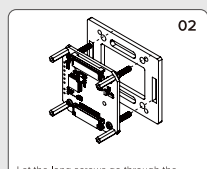
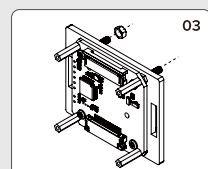
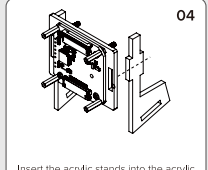
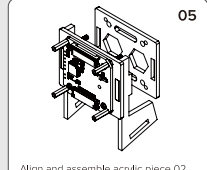
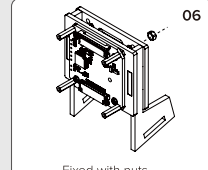
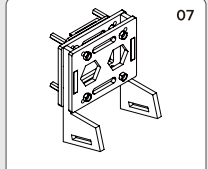
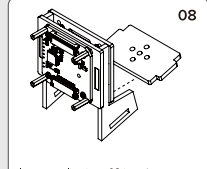
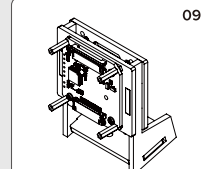
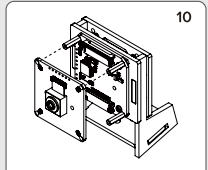
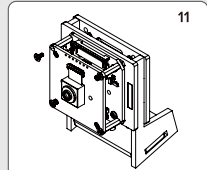
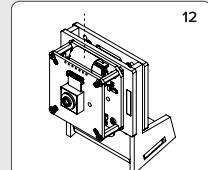


Assembly Instruction

PACKING LIST

 ×1	 ×1	 ×1	 ×1	 ×2
Camera module	Acrylic piece 01	Acrylic piece 02	Acrylic piece 03	Acrylic stand 04
 ×4	 ×1	 ×4	 ×8	 ×4
Screws for assembling acrylic case	Adapter board	Screws for assembling adapter board	Nuts for fixing acrylic case	Nuts for fixing adapter board
 ×4	 ×1	 ×1		
Standoffs	Cable for connecting the adapter board	Cable for connecting motherboard		

STEP

 01	 02	 03
Align and insert the standoffs with the outer mounting hole of the adapter board, fixed with nuts.	Let the long screws go through the inner mounting hole of the adapter and acrylic piece 01.	Fixed with nuts.
 04	 05	 06
Insert the acrylic stands into the acrylic piece 01.	Align and assemble acrylic piece 02.	Fixed with nuts.
 07	 08	 09
Schematic diagram of the back	Insert acrylic piece 03 into the cuts on the stand pieces.	
 10	 11	 12
Align and mount the camera board.	Fixed with screws.	Push in the camera cable.