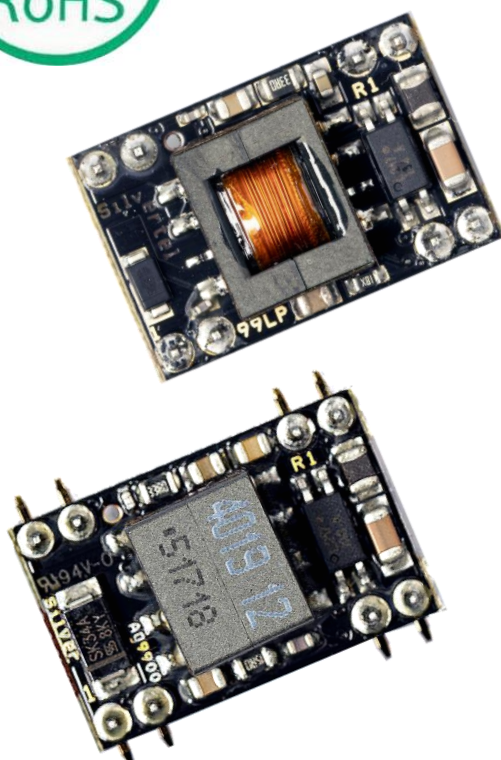




Ag9900

Ultra Miniature PoE Module



Features

- IEEE802.3af compliant
- 1500V isolated DC/DC Converter
- Ultra Low Profile
- Tiny SMT (14mm x 21mm X 13mm) or DIL package (14mm x 21mm X 8mm)
- Low cost
- Input voltage range 36V to 57V
- Minimal external components required
- Short-circuit protection
- Industrial temperature option available
- Over temperature protection (Industrial Temperature version- MT or LP)
- Adjustable Output
- Silvertel “design-in” assistance

Description

The Ag9900 Power-over-Ethernet (PoE) modules are the smallest POE solution in the world and designed to extract power from a conventional twisted pair Category 5 Ethernet cable, conforming to the IEEE 802.3af PoE standard.

The Ag9900 signature and control circuit provides the PoE compatibility signature required by the Power Sourcing Equipment (PSE) before applying up to 15W power to the port. The Ag9900 provides a Class 0 signature.

The DC/DC converter operates over a wide input voltage range and provides a regulated output. The DC/DC converter also has built-in short-circuit output protection.

Table of Contents

1	Product Overview	3
1.1	Ag9900 Product Selector	3
1.2	Package Format	4
1.3	Pin Description	5
2	Functional Description	6
2.1	Typical Connections	6
2.2	Input.....	7
2.2.1	PD Signature.....	7
2.2.2	Power Classification.....	7
2.2.3	Start-up Power	7
2.3	Output.....	8
2.3.1	Output Adjustment	8
2.3.2	Additional Output Filtering.....	9
3	Protection	10
3.1	Input Protection	10
3.2	Thermal Protection	10
4	Operating Temperature Range	11
4.1	Thermal Considerations	13
5	Typical Application	15
6	Isolation	16
6.1	Layout Consideration	16
7	EMC	17
8	Electrical Characteristics	18
8.1	Absolute Maximum Ratings ¹	18
8.2	Recommended Operating Conditions	18
8.3	DC Electrical Characteristics.....	18
9	Package.....	20
9.1	Ag9900M/MT	20
9.2	Ag9900LP.....	21

Table of Figures

Figure 1:	Block Diagram	4
Figure 2:	Ag9900 Package Format.....	4
Figure 6:	Typical Connection Diagram	6
Figure 3:	Typical System Diagram	7
Figure 4:	Output Adjustment.....	8
Figure 5:	Output Filtering	9
Figure 7:	Ag9900 Input Protection.....	10
Figure 8:	Ag9924M Operating Profile	11
Figure 9:	Ag9912M Operating Profile	12
Figure 10:	Ag9905M Operating Profile	12
Figure 11:	Ag9903M Operating Profile.....	12
Figure 12:	Ag9912LP Operating Profile.....	12
Figure 13:	Ag9905LP Operating Profile.....	12
Figure 14:	Ag9903LP Operating Profile.....	12
Figure 15:	Ag9900M Thermal Relief.....	13
Figure 16:	Thermal Gap Pad Position	14
Figure 17:	Typical Application	15
Figure 18:	Layout Consideration	16
Figure 19:	EMC Filtering.....	17

1 Product Overview

1.1 Ag9900 Product Selector

Standard				
Part Number ¹	Nominal Output Voltage	Output Power ²		Date code ³ and Voltage Marking
Ag9903M	3.3V	6 Watts		3 WWYY
Ag9905M	5.0V	9 Watts		5 WWYY
Ag9912M	12.0V	12 Watts		12 WWYY
Ag9924M	24.0V	12 Watts		24 WWYY
Industrial Temperature				
Part Number ¹	Nominal Output Voltage	Output Power ²		Date code ³ and Voltage Marking
Ag9903MT	3.3V	6 Watts		3T WWYY
Ag9905MT	5.0V	9 Watts		5T WWYY
Ag9912MT	12.0V	12 Watts		12T WWYY
Ag9924MT	24.0V	12 Watts		24T WWYY
Low Profile				
Part Number ¹	Nominal Output Voltage	Output Power		Date code ³ and Voltage Marking
		70°C	85°C	
Ag9903LP	3.3V	4.9 Watts	3.6 Watts	3 WWYY
Ag9905LP	5.0V	7 Watts	4.5 Watts	5 WWYY
Ag9912LP	12.0V	10 Watts	6 Watts	12 WWYY

Note 1: The Ag9900 complies with the European Directive 2011/65/EU for the Restriction of use of certain Hazardous Substances (RoHS) including Directive 2015/863 published in 2015, amending Annex II of Directive 2011/65/EU. Moisture Sensitive Level 1 and HBM 1.

Note 2: At 25°C with $V_{IN} = 48V$

Note 3: Date code format: "WW" = Week Number, "YY" = Year; if the industrial temperature version, Ag9900MT, is chosen it will be marked with the letter "T" after the voltage variant.

Table 1: Ordering Information

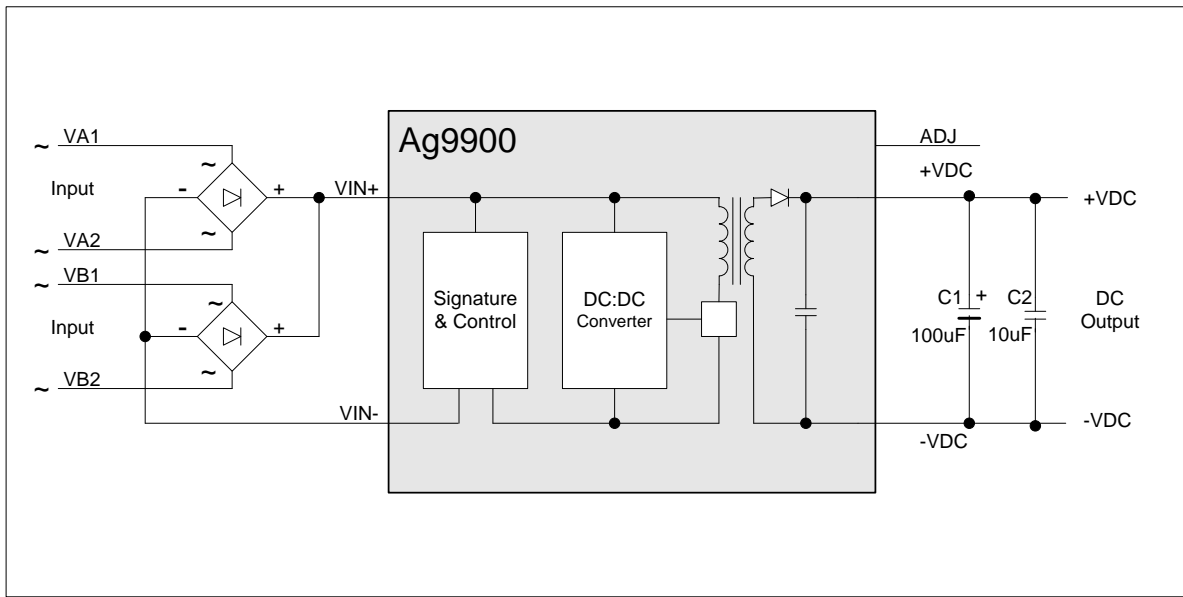


Figure 1: Block Diagram

1.2 Package Format

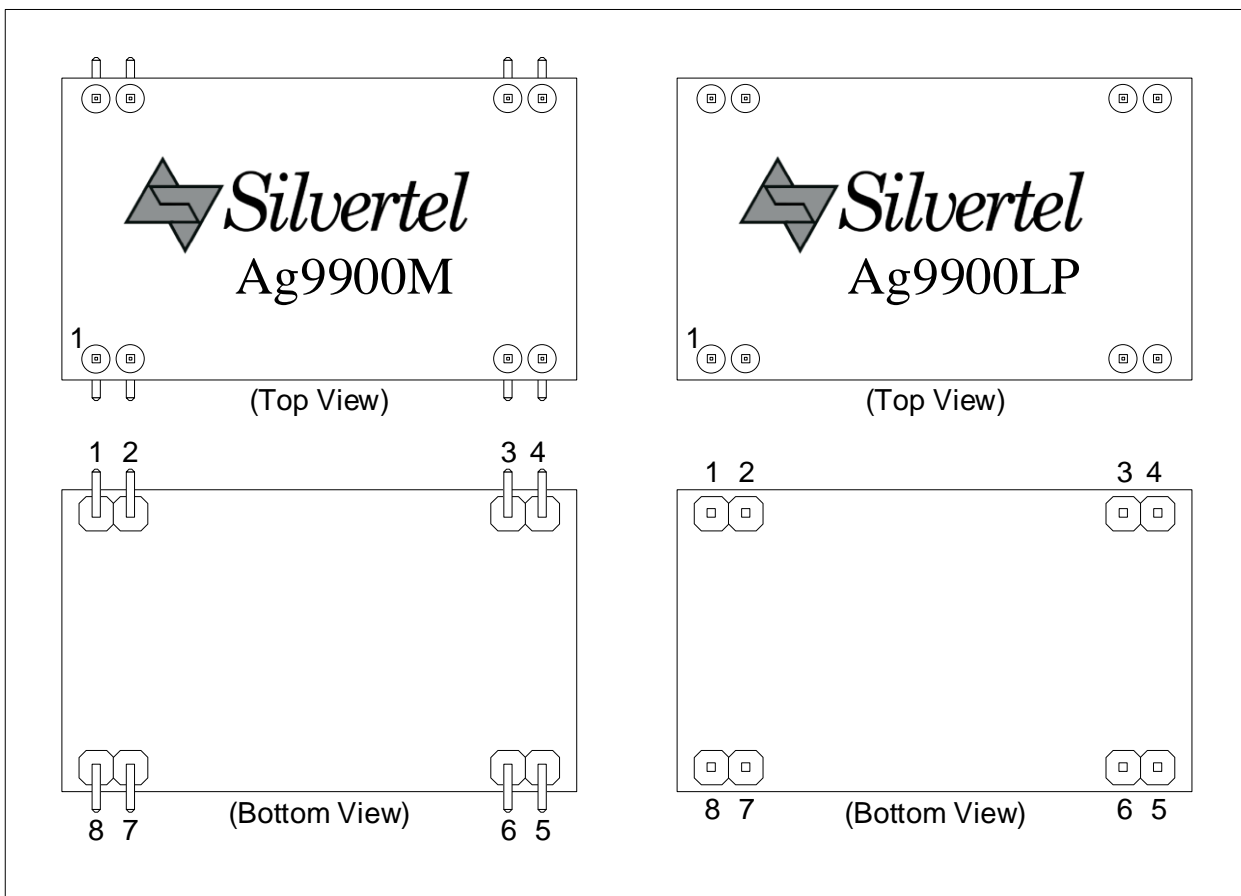


Figure 2: Ag9900 Package Format

1.3 Pin Description

Pin #	Name	Description
1	+VDC	DC Output This pin provides the regulated output from the DC/DC converter.
2		
3	-VDC	DC Return This pin is the return path for the +VDC output.
4	ADJ	Output Adjust The output voltage can be adjusted from its nominal value, by connecting an external resistor from this pin to either the +VDC pin or the -VDC pin.
5	VIN+	Direct Input + This pin connects to the positive (+) output of the input bridge rectifiers.
6		
7	VIN-	Direct Input - This pin connects to the negative (-) output of the input bridge rectifiers.
8		

Table 2: Pin Description

2 Functional Description

2.1 Typical Connections

The Ag9900 requires minimal external components as shown in Figure 3.

C1 must be fitted for output stability and should be a minimum of 100 μ F. This capacitor should be positioned as close to the output pins as possible. C1 is also required to handle load step change and reduce the output ripple. For applications where the output needs to cope with high load step changes, or to reduce the output ripple we recommend using a low ESR electrolytic as this reduces the output ripple. Also a low ESR capacitor is essential for operation below 0°C.

BR1 and BR2 can be inexpensive bridge rectifiers, for example MB4S or MB6S.

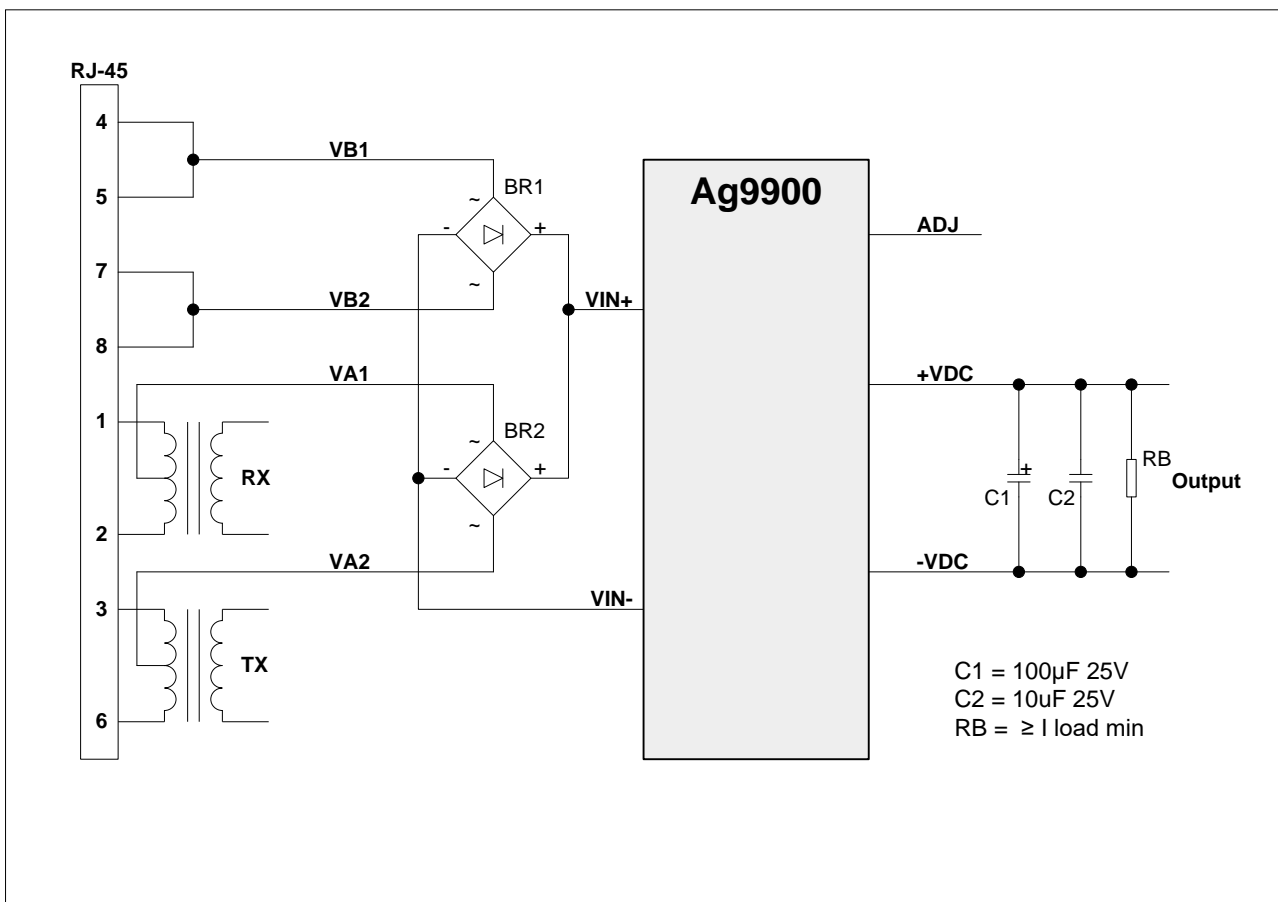


Figure 3: Typical Connection Diagram

The output adjust input (ADJ) is optional, it is provided to give greater flexibility to the Ag9900 product range. Further information on using these inputs can be found in Section 2.3.1.

The Ag9900 must always supply a minimum current; see Section 8.3 - Minimum Load for more information. When operated below this level the Ag9900 will emit a low level audible noise. The reason that the module emits this noise is due to the dc/dc converter running in discontinuous mode.

If this audible noise is not an issue, then the Ag9900 can work safely with a much smaller load. But to ensure that the PSE has a sufficient load to meet its Maintain Power Signature (MPS), it would be advisable not to operate the Ag9900 below the specified minimum load.

2.2 Input

The Ag9900 is compatible with equipment that uses Alternative A (power on data pair) or Alternative B (power on spare pair) options, see Figure 4. It is specified that the PSE does not apply power to both outputs at the same time (Refer to IEEE802.3af for more information).

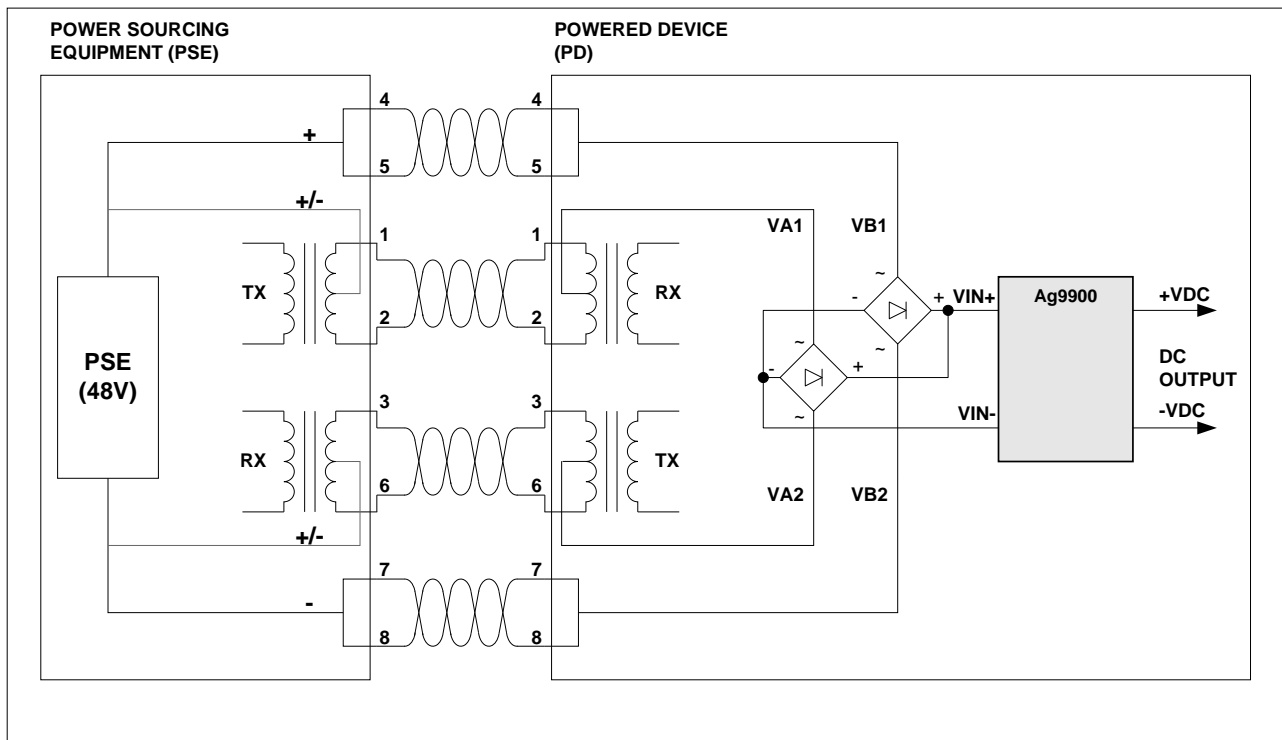


Figure 4: Typical System Diagram

2.2.1 PD Signature

When the Ag9900 is connected to the Cat5e cable, it will automatically present a Powered Device (PD) signature to the Power Sourcing Equipment (PSE) or Midspan Equipment, when requested. The equipment will then recognise that a powered device is connected to that line and supply power.

2.2.2 Power Classification

The Ag9900 is set to Class 0 (0.44 Watts to 12.95 Watts) operation.

2.2.3 Start-up Power

It is important that during start-up the Ag9900 input voltage is $\geq 42V$, this will ensure that the module powers up correctly. Once the dc/dc converter is up and running the module will work normally even if the input voltage is reduced to its minimum level of 36V.

When using an IEEE802.3af compliant PSE this will not be an issue, as the minimum output voltage of the PSE must be $\geq 44V$.

2.3 Output

The Ag9900’s DC/DC converter provides a regulated output that has built-in short-circuit output protection – refer to Table 1: Ordering Information for voltage and power ratings.

2.3.1 Output Adjustment

The Ag9900 has an ADJ pin, which allows the output voltage to be increased or decreased from its nominal value. Figure 5 shows how the ADJ pin is connected.

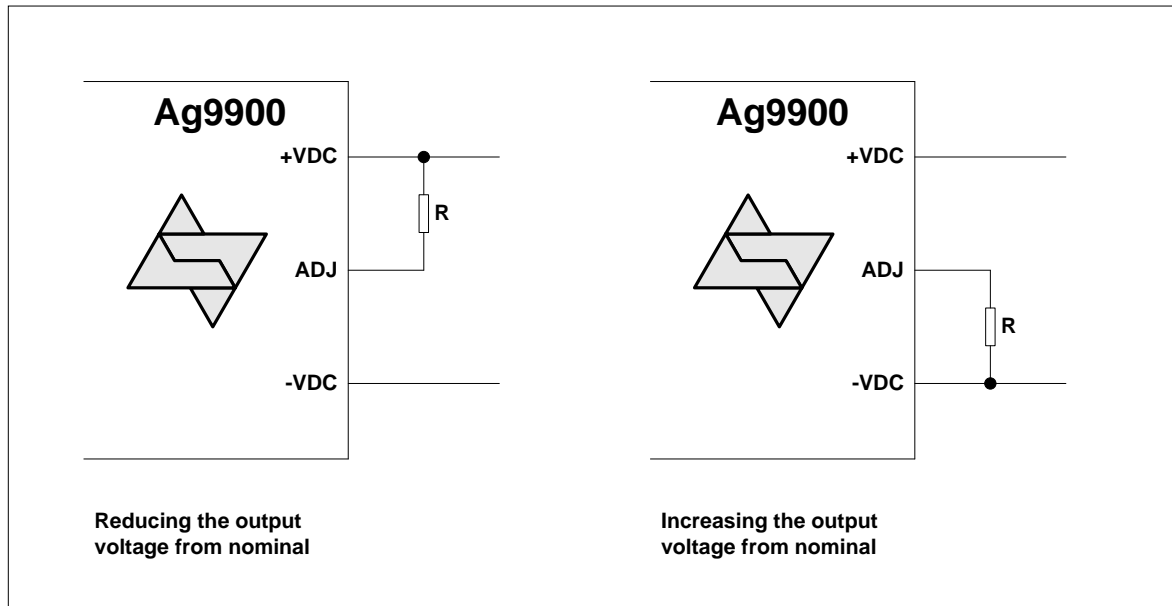


Figure 5: Output Adjustment

Reducing the output voltage, connect R between ADJ and +VDC				
Value of R	Ag9903 output	Ag9905 output	Ag9912 Output	Ag9924 Output
Open Circuit	3.30V	5.00V	12.00V	24.00V
0 Ohms	3.20V	4.48V	10.0V	19.85V
Increasing the output voltage, connect R between ADJ and -VDC				
Value of R	Ag9903 output	Ag9905 output	Ag9912 output	Ag9924 Output
Open Circuit	3.30V	5.00V	12.00V	24.00V
0 Ohms	3.78V	5.65V	12.75V	25.10V

Table 3: Output Adjustment Resistor (R) Value

2.3.2 Additional Output Filtering

The Ag9900 as shown in Figure 3 offers the minimum capacitance the customer must fit, however Figure 6 shows two cost effective methods for reducing the ripple and noise, if required.

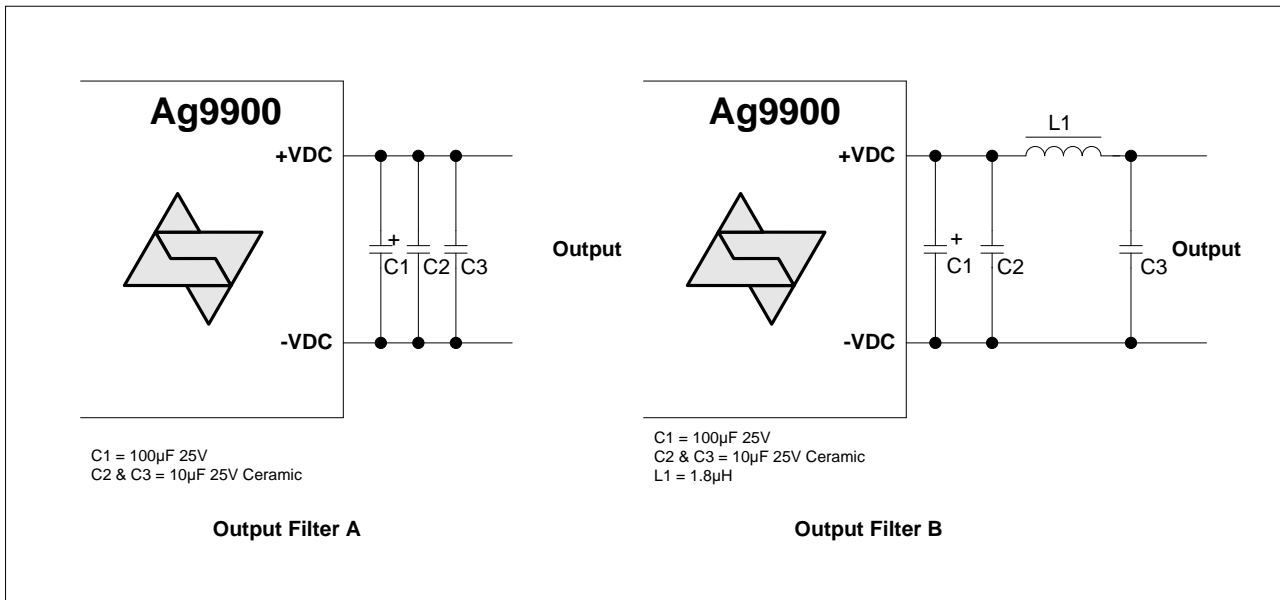


Figure 6: Output Filtering

The simplest and cheapest solution is shown in Figure 6 - Output Filter A. Taking the Ag9912M as an example, this will reduce the ripple and noise to typically 120mVp-p at maximum load. Adding a PI filter, as shown in Figure 6 – Output Filter B, will take the ripple and noise level down further to typically 25mVp-p.

3 Protection

3.1 Input Protection

The Ag9900 must be protected from over-voltages exceeding the 80V maximum rated surge input voltage. An inexpensive but effective solution can be achieved by connecting a tranzorb diode across the input; see Figure 7.

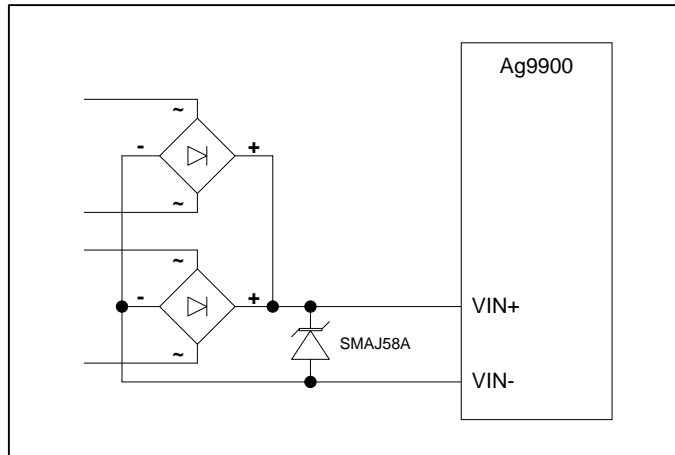


Figure 7: Ag9900 Input Protection

More information is available in Apps Note "ANX-POE-Protection".

3.2 Thermal Protection

The standard Ag9900M does not have built-in thermal protection. If this module is intended to be used in high ambient temperatures $>50^{\circ}\text{C}$ then we would recommend either the Industrial temperature version Ag9900MT or the Ag9900LP (both include thermal protection) to be used.

The thermal protection reduces the output power, see Figure 8 through Figure 14, to ensure that the maximum component temperature is not exceeded. Full output power will be restored when the ambient temperature drops back down into the safe operating range.

4 Operating Temperature Range

Because the Ag9900 is a power component, it will generate heat, so it is important that this be taken into consideration at the design stage.

The heart of the Ag9900 is a DC/DC converter, which like any other power supply will generate heat. The amount of heat generated by the module will depend on the load it is required to drive, and the input voltage supplied by the PSE. The information shown within this section of datasheet is referenced to a nominal 48Vdc input voltage supplied by the PSE.

The Ag9900M has a maximum ambient operating temperature of 70°C without any heat-sinking, while the Ag9900MT and Ag9900LP able to operate up to 85°C while heatsinking to a host PCB; see below Figure 8 through Figure 14. These results were performed in an environment chamber - Associated Environmental System SD-302. The performance of the Ag9900M can be improved by forcing the airflow directly over the part, and by using a thermal pad such as Bergquist .1" Ultra soft gap pad or thermal paste such as thermally conductive Oxime Cure paste. The customers PCB can then be thermally mounted (using a Bergquist 0.1" Ultra soft gap pad) to the chassis of the host equipment by using the thermal relief pads (see Figure 15 and application note "ANX-POE-Thermal-Considerations" for more information).

The output stage of the Ag9900M has no built-in thermal protection; however thermal protection is available with the Industrial temperature version Ag9900MT or Ag9900LP module. To prevent the module from being damaged it is recommended that the module be powered by an IEEE 802.3af compliant PSE or midspan equipment. However the Ag9900 may be powered by a user designed power supply which should include thermal and over current protection and be current limited to 400mA.

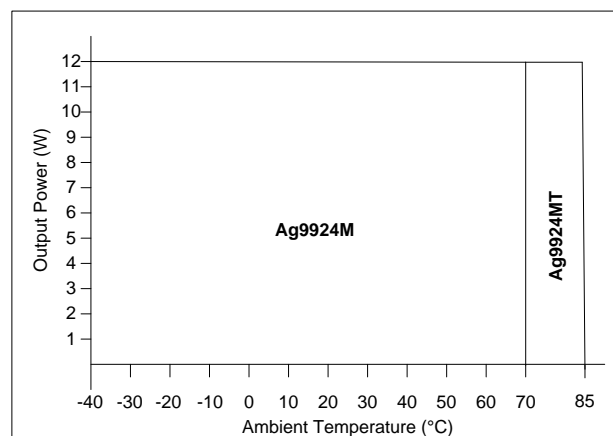


Figure 8: Ag9924M Operating Profile

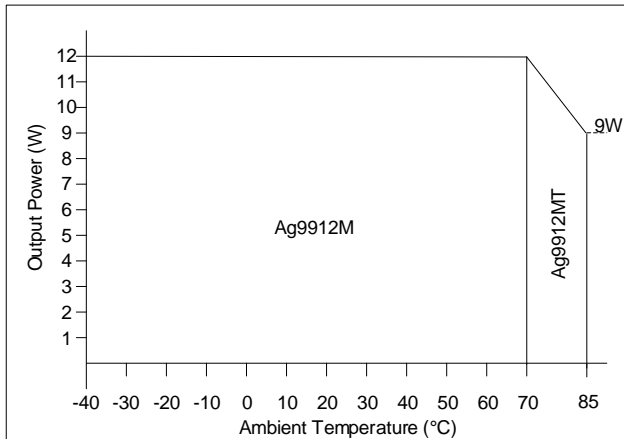


Figure 9: Ag9912M Operating Profile

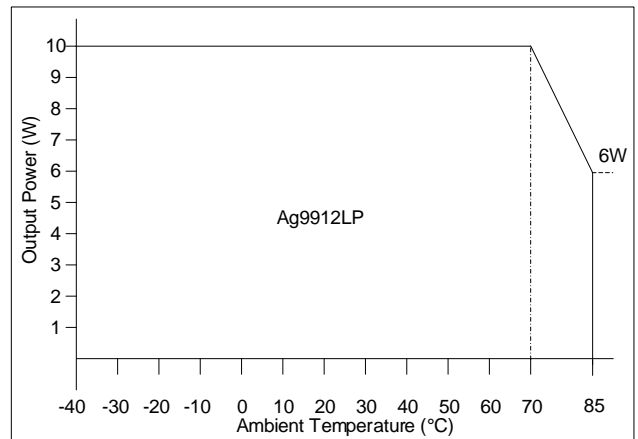


Figure 10: Ag9912LP Operating Profile

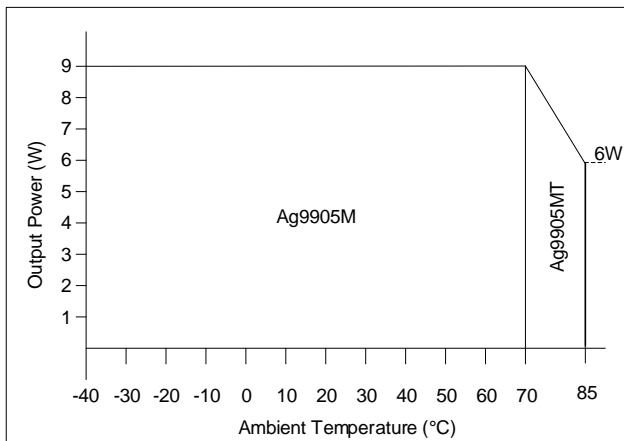


Figure 11: Ag9905M Operating Profile

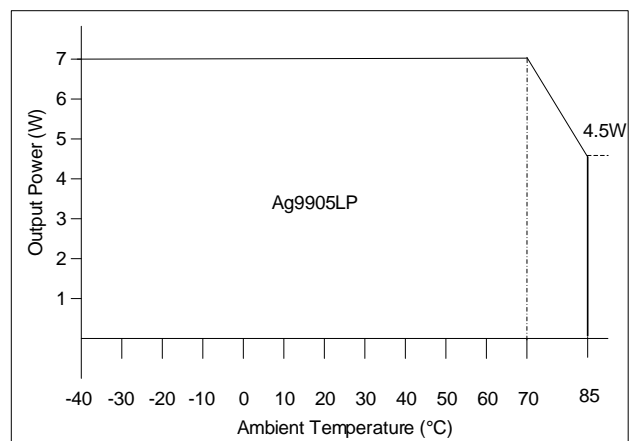


Figure 12: Ag9905LP Operating Profile

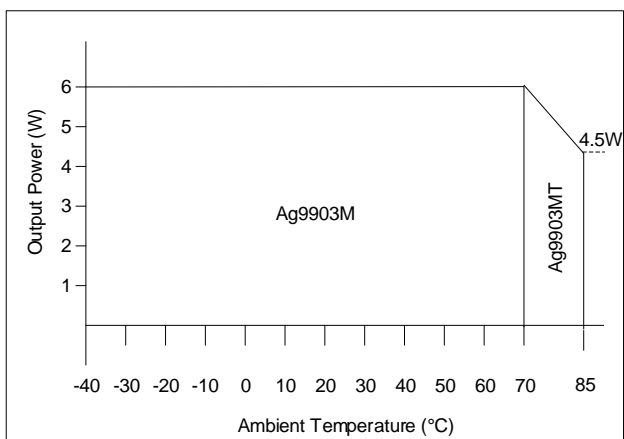


Figure 13: Ag9903M Operating Profile

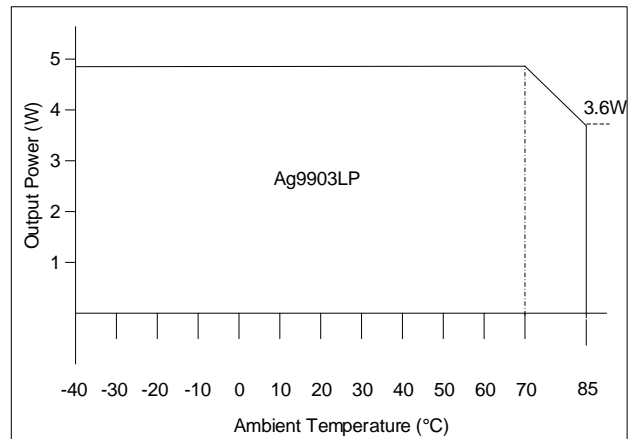


Figure 14: Ag9903LP Operating Profile

4.1 Thermal Considerations

Each application is different; therefore it is impossible to give fixed and absolute thermal recommendations. Due to the small size of this module, it is important that as much heat as possible is drawn away from it. It is also important that any enclosure has sufficient ventilation for the Ag9900 and a direct airflow if possible.

One simple method for drawing some of the heat away from the Ag9900 is by means of power planes connected to the +VDC and -VDC pins of the Ag9900. This technique can be used to draw heat away from the DC/DC converter via the output pins.

These power planes must be on the outer layers of the PCB and the best results are achieved by having power planes on both sides of the main board with multiple through-hole connections. An example of this is shown in Figure 15 with an Ag9900M module.

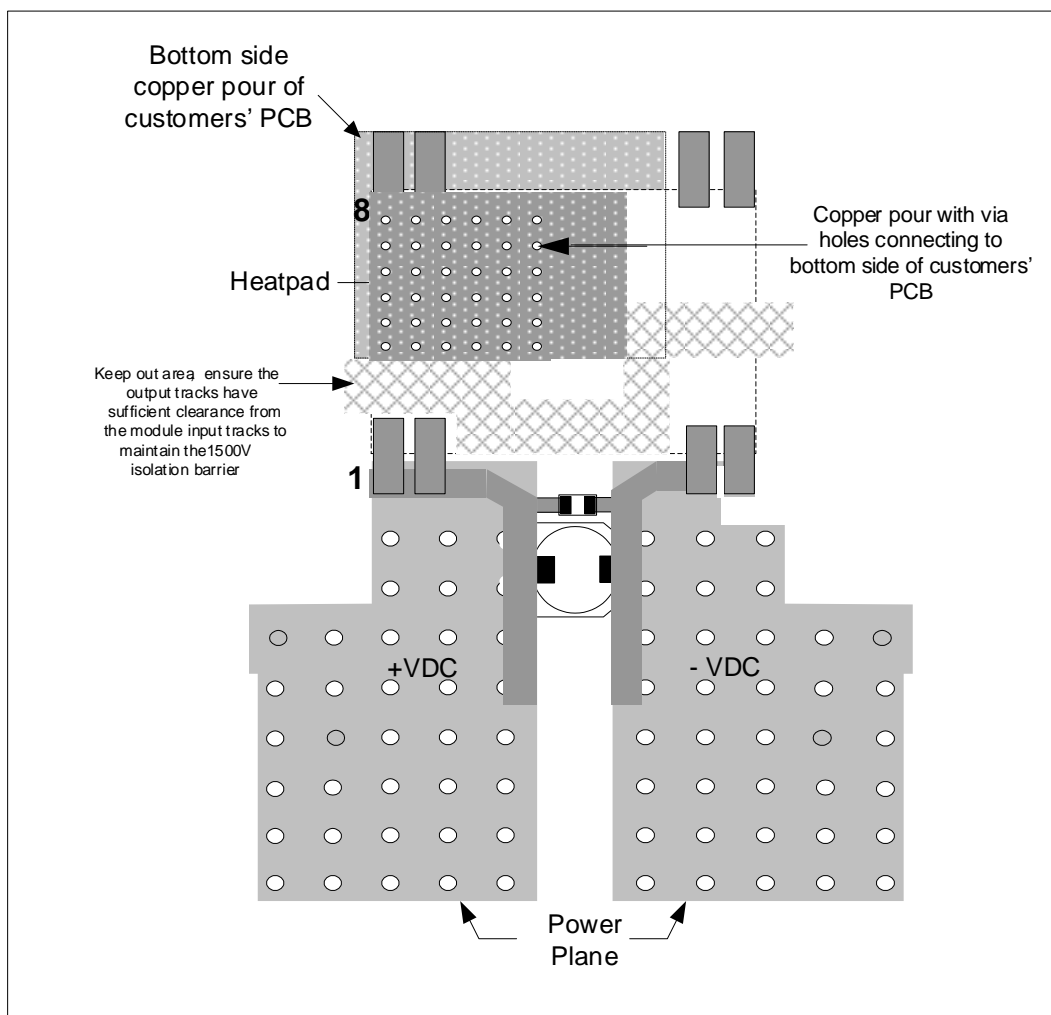


Figure 15: Ag9900M Thermal Relief

A method that we would recommend when using the Ag9900 series is the use of a thermal gap pad or thermal paste, such as Berquist ultra soft 0.1in or Thermally conductive Oxime Cure paste, be placed underneath the Ag9900 PCB as shown below in Figure 16. The gap pad or paste must fully cover the components on the bottom side of the PCB to provide the best possible thermal conduction through the material to the customers PCB.

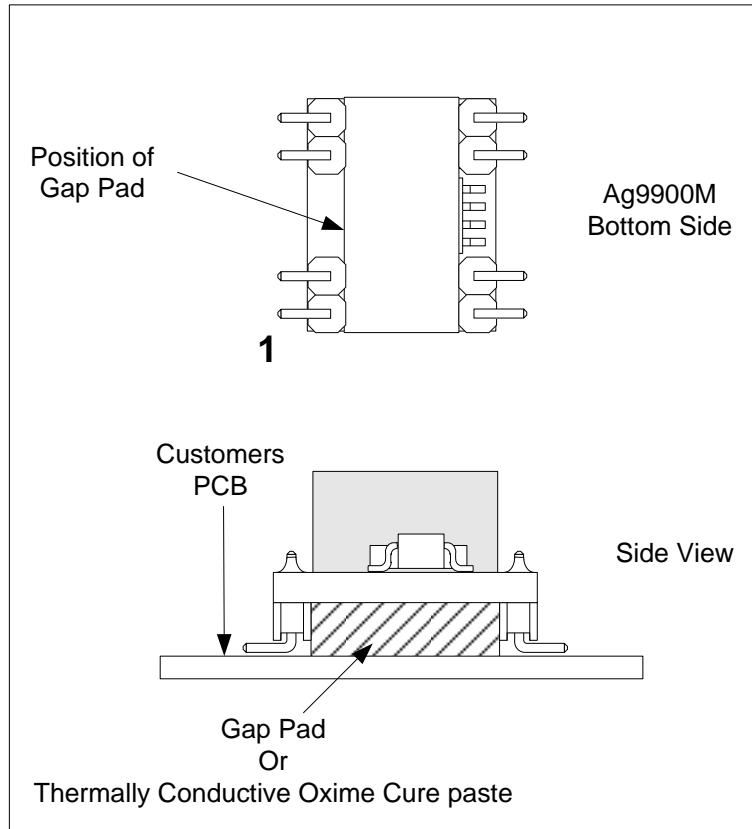


Figure 16: Thermal Gap Pad Position

It is important to remember that the ESR of the external electrolytic capacitors will increase considerably when the ambient temperature falls below 0°C. If the Ag9900 is going to be used in applications where the ambient temperature can fall below 0°C, selection of appropriate output filter components must be done at the design stage.

5 Typical Application

The Ag9900 can be used in numerous applications. In the example shown in Figure 17, the data outputs from the switch are connected to the inputs of a midspan. The midspan will then add power (to the data) on each output that supports Power over Ethernet (PoE).

In this example port 1 is connected to an Ethernet camera and port 2 is connected to a wireless access point, both of these devices have a built-in Ag9900. When the midspan is switched on (or when the device is connected), the midspan will check each output for a PoE signature. On ports 1 and 2 the Ag9900 will identify themselves as PoE enabled devices and the midspan will supply both data and power to these peripherals.

The other ports (shown in this example) will not have a PoE signature and the midspan will only pass the data through to these peripherals. The midspan will continuously monitor each output to see if a PoE enabled device has been added or removed.

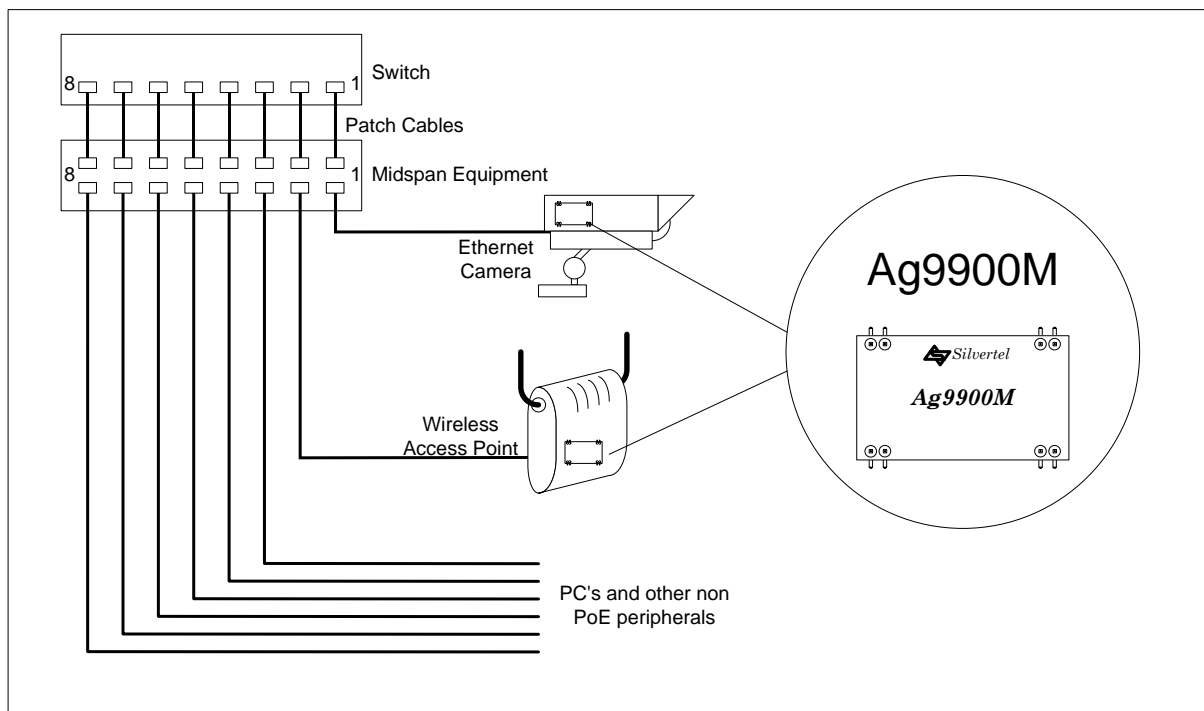


Figure 17: Typical Application

6 Isolation

To meet the safety isolation requirements of IEEE802.3af section 33.4.1 a Powered Device (PD) must pass the electrical strength test of IEC 60950 sub clause 6.2. This calls for either a) 1500Vac test or b) 1500Vdc impulse test. The Ag9900 is specified to meet the 1500Vdc impulse test. It is also important that the tracks on either side of the isolation barrier have at least a 3mm clearance, see Figure 10 & Figure 14 for more information.

6.1 Layout Consideration

Figure 18 shows the position of the isolation barrier, this area must be kept clear of tracks under the Ag9900 module.

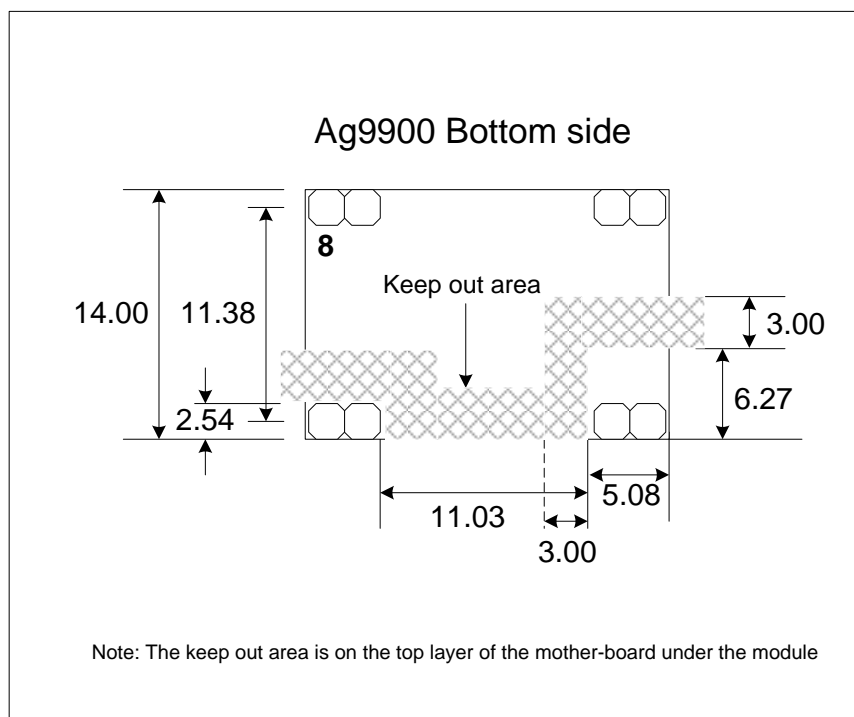


Figure 18: Layout Consideration

7 EMC

The Ag9900 uses a dc/dc converter with pulse width modulation, so care does need to be taken to minimise emissions.

The Ag9900 is designed to meet EN55032 Class B (pre-compliance test results are available from Silvertel) however, because the Ag9900 will only be one component within your system, it is impossible to say whether the final product will pass EMC testing without the need for additional filtering. Figure 19 shows our recommended EMC Filter configuration for the Ag9900. For more information, tips and suggestions refer to the application note “ANX-POE-EMI” on our website.

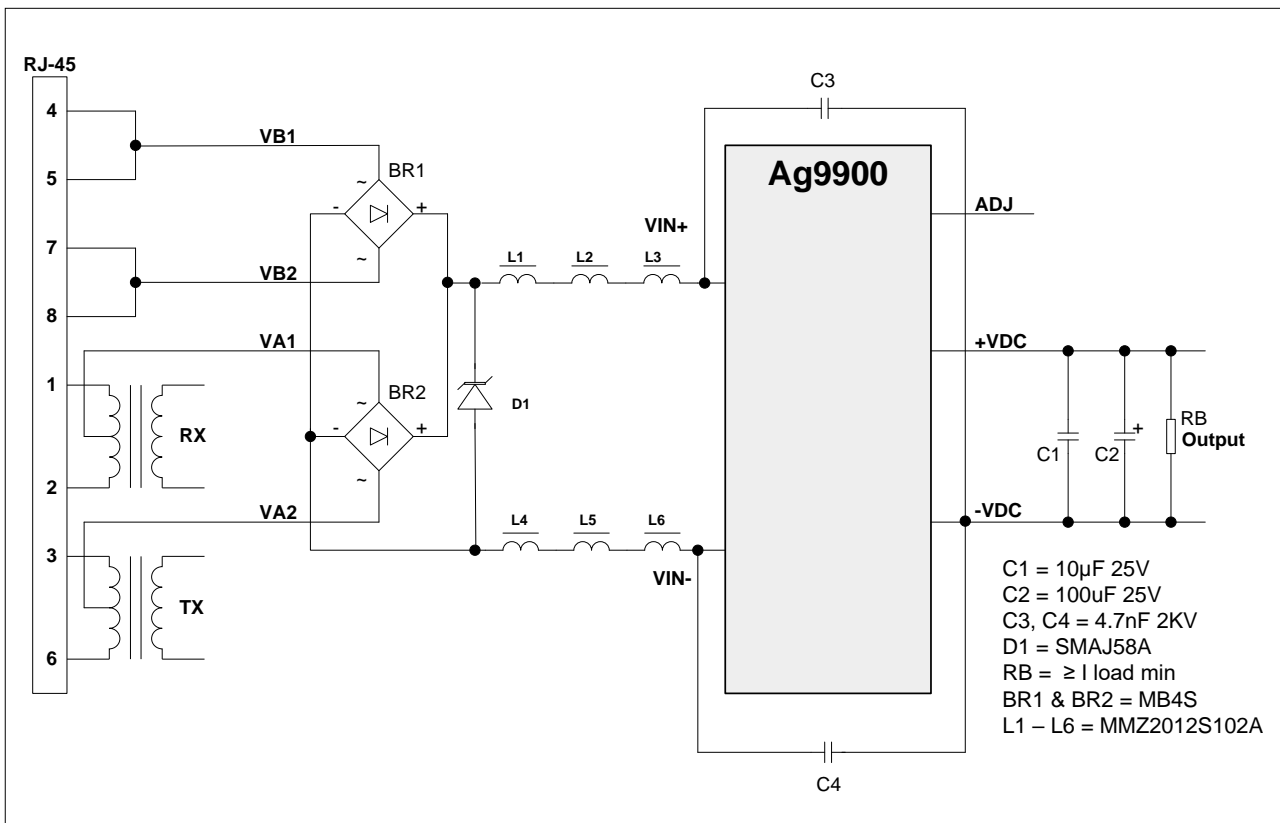


Figure 19: EMC Filtering

8 Electrical Characteristics

8.1 Absolute Maximum Ratings¹

	Parameter	Symbol	Min	Max	Units
1	DC Supply Voltage	V_{CC}	-0.3	60	V
2	DC Supply Voltage Surge for 1ms	V_{SURGE}	-0.6	80	V
3	Storage Temperature	T_S	-40	+100	°C

Note 1: Exceeding the above ratings may cause permanent damage to the product. Functional operation under these conditions is not implied. Maximum ratings assume free airflow.

8.2 Recommended Operating Conditions

	Parameter	Symbol	Min	Typ	Max	Units	
1	Input Supply Voltage ¹	V_{IN}	36	48	57	V	
2	Under Voltage Lockout	V_{LOCK}	30		36	V	
3	Operating Temperature ²	Ag9900M	T_{OP}	-40	25	70	$T_a / ^\circ C$
		Ag9900MT				85	
		Ag9900LP					

Note 1: With minimum load

Note 2: See Section 4: Operating Temperature Range

8.3 DC Electrical Characteristics

	DC Characteristic	Variant ¹	Sym	Min	Typ ²	Max	Units
1	Nominal Output Voltage	Ag9924	+VDC	23.3	24	24.8	V
		Ag9912		11.5	12	12.5	
		Ag9905		4.75	5	5.25	
		Ag9903		3.1	3.3	3.5	
2	Minimum Load ³	Ag9924	I_{LOAD}	50			mA
		Ag9912		100			
		Ag9905		200			
		Ag9903					
3	Output Current ($V_{IN} = 48V$)	Ag9924M	I_{out}			0.5	A
		Ag9912M ⁴				1.0	
		Ag9912LP				0.8	
		Ag9905M				1.8	
		Ag9905LP				1.4	
		Ag9903M				1.8	
		Ag9903LP				1.5	

	DC Characteristic	Variant ¹	Sym	Min	Typ ²	Max	Units		
4	Line Regulation	Ag9924M	V _{LINE}		0.14		%		
		Ag9912M			0.02				
		Ag9912LP			0.02				
		Ag9905M			0.05				
		Ag9905LP			0.01				
		Ag9903M			0.05				
		Ag9903LP			0.01				
5	Load Regulation – Min to Max (V _{IN} = 48V)	Ag9924M	V _{LOAD}		0.12		%		
		Ag9912M			0.1				
		Ag9912LP			0.05				
		Ag9905M			0.12				
		Ag9905LP			0.08				
		Ag9903M			0.7				
		Ag9903LP			0.09				
6	Output Ripple and Noise ^{5@ Max load}	Ag9924M	V _{RN}		125		mV _{p-p}		
		Ag9912M			120				
		Ag9912LP			TBD				
		Ag9905M			95				
		Ag9905LP			TBD				
		Ag9903M			78				
		Ag9903LP			TBD				
7	Peak Efficiency	Ag9924M	EFF		87		%		
		Ag9912M							
		Ag9912LP						86	
		Ag9905M						83	
		Ag9905LP							
		Ag9903M							80
		Ag9903LP							
8	Short-Circuit Duration ⁶		T _{SC}			∞	sec		
9	Isolation Voltage (I/O) - Impulse Test		V _{ISO}			1500	V _{PK}		

Note 1: Electrical characteristics are identical for the Ag9900M and Ag9900MT variants.

Note 2: Typical figures are at 25°C with a nominal 48V supply and are for design aid only. Not Guaranteed

Note 3: The module can emit an audible noise, if operated at less than the stated minimum I_{LOAD} and cause the PSE to fail its MPS.

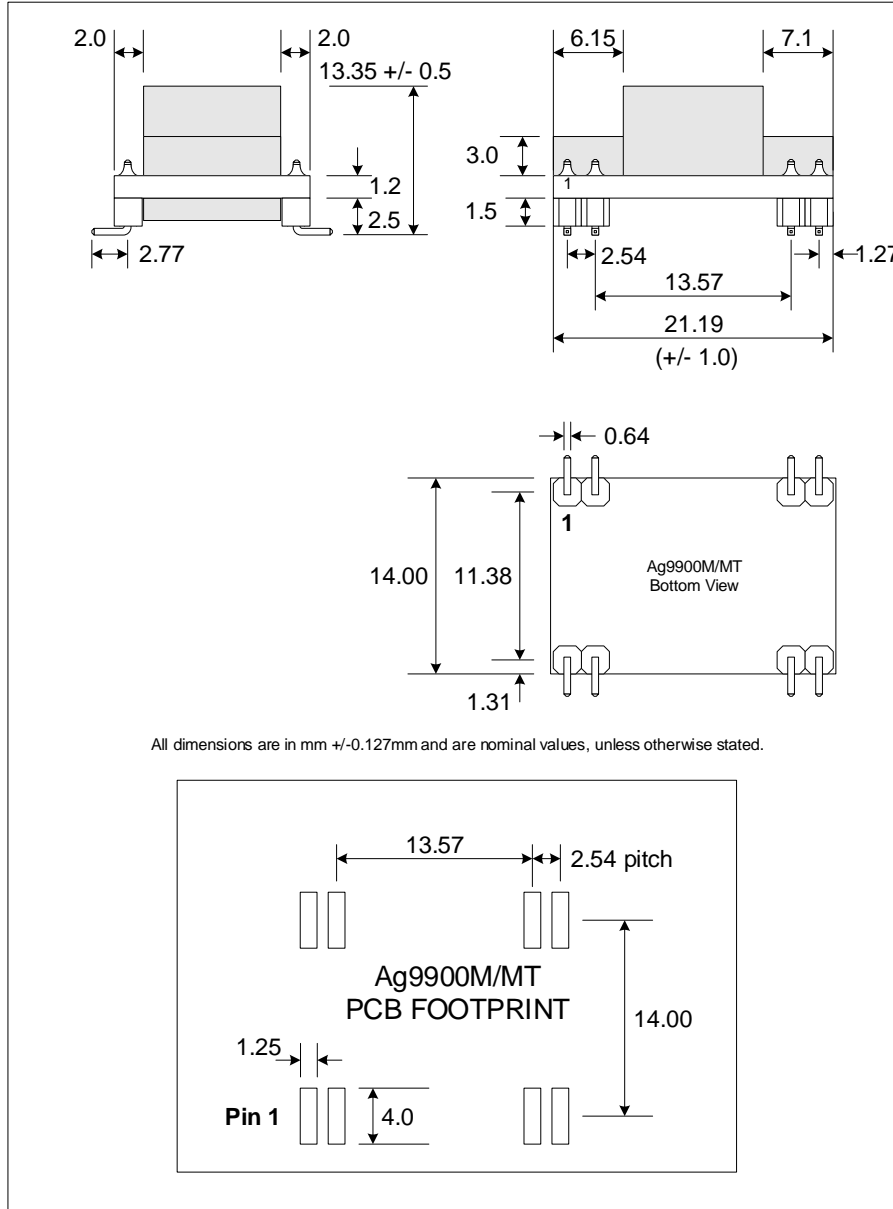
Note 4: The Ag9912 output must not exceed 12W.

Note 5: Measured with external filter A. The output ripple and noise can be reduced further with external filter B, see Section 2.3.2.

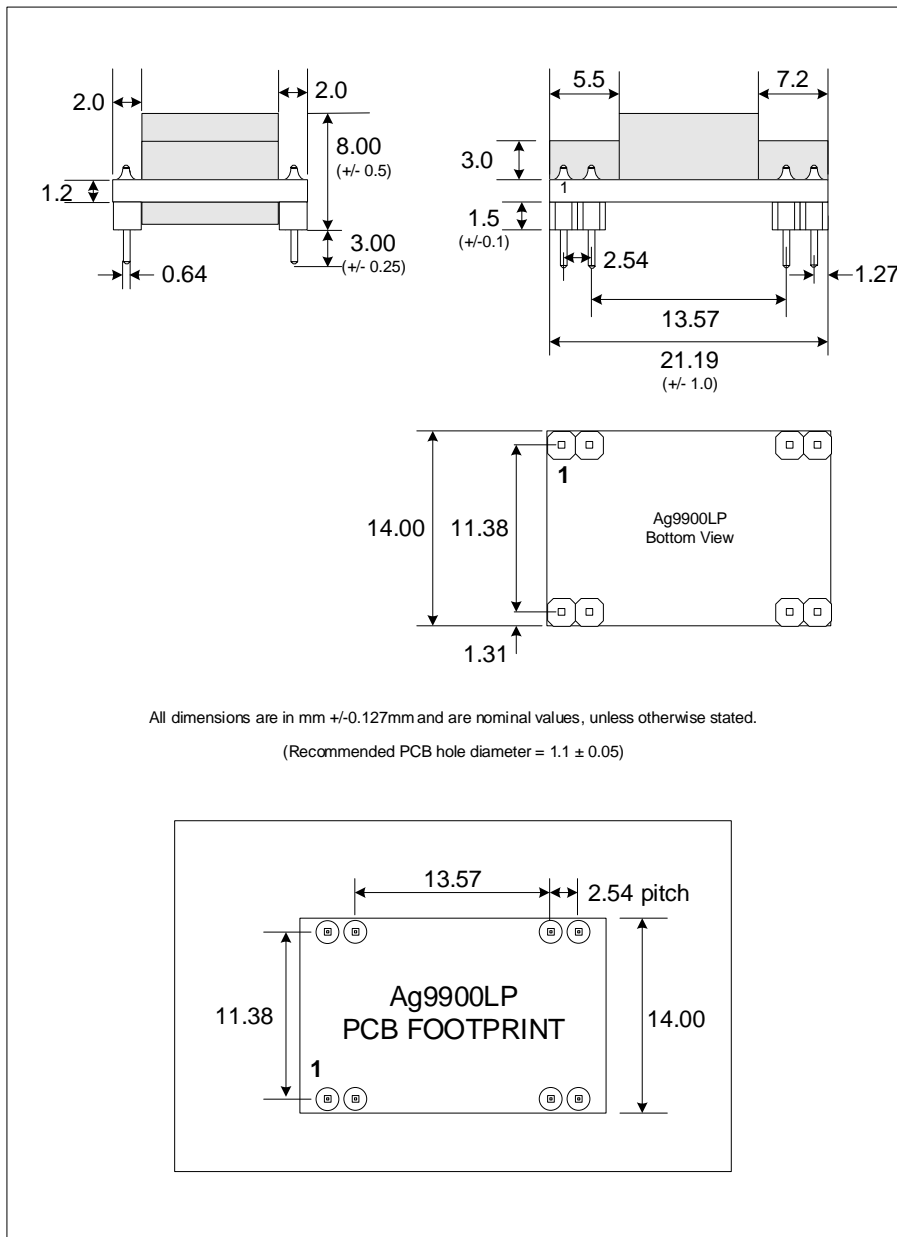
Note 6: >200mohm short due to thermal limitation.

9 Package

9.1 Ag9900M/MT



9.2 Ag9900LP



The latest revision of all application notes referenced in this document can be found on the Silver Telecom website” www.silvertel.com”.

Information published in this datasheet is believed to be correct and accurate. Silver Telecom assumes no liability for errors which may occur or for liability otherwise arising out of use of this information or infringement of patents which may occur as a result of such use. No license is granted by this document under patents owned by Silver Telecom or licensed from third parties by Silver Telecom. The products, their specification and information appearing in this document are subject to change by Silver Telecom without notice.