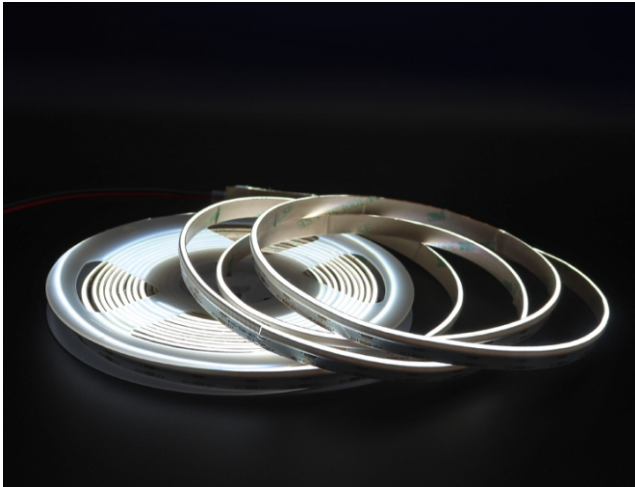


480LEDs/m COB Side Emitting Single color led strip DC12V



◆ Product Description:

Using COB flip Side Emitting LED chip, high density
480leds/m, single row

Input voltage DC12V

Flexible PCB, FPC color: white

FPC is 1+2 Oz copper thickness , PCB width is 8mm

1m per roll, length can be customized

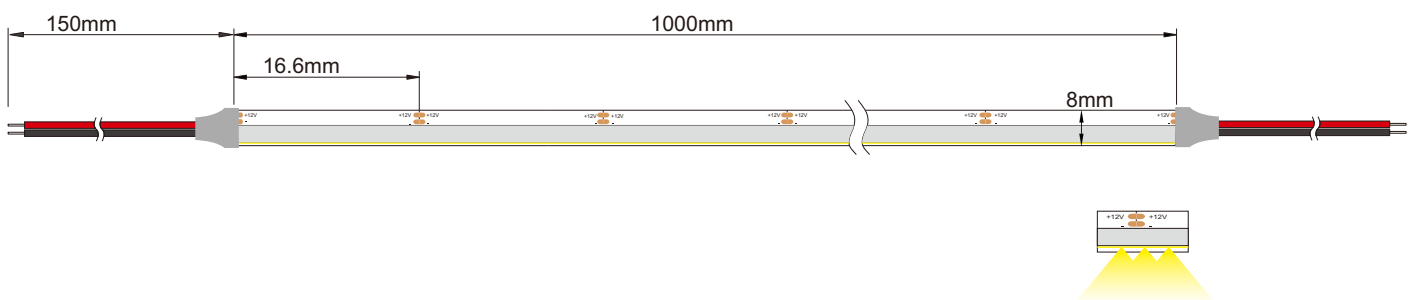


◆ Product Datasheet

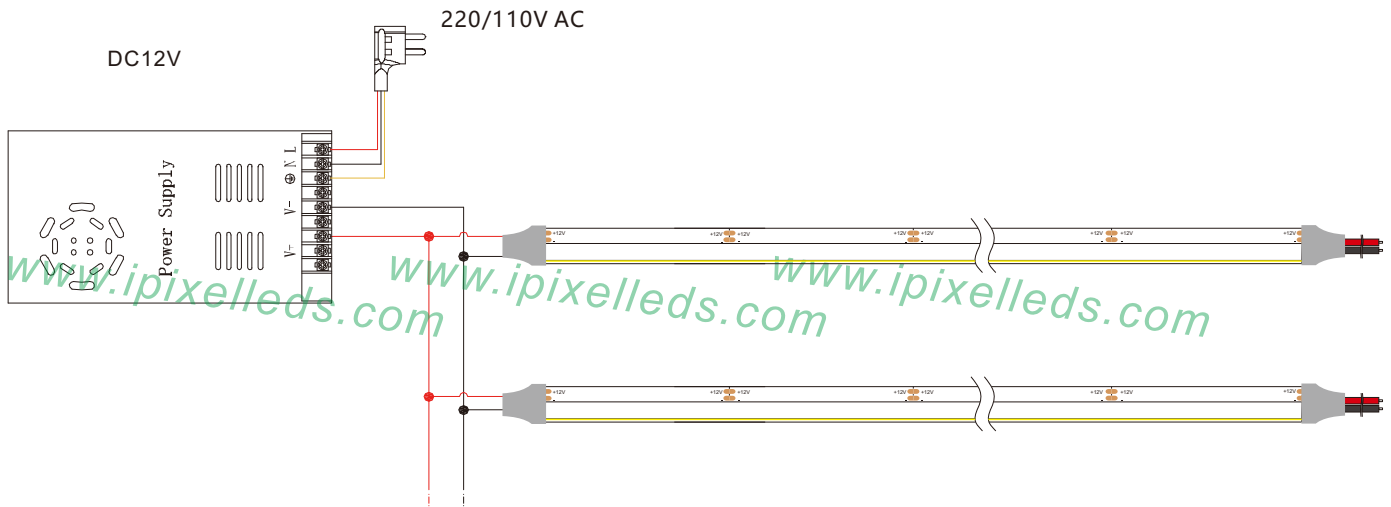
Product Number	S008480ZB1LZ	Luminance/M	600lm
Operating Voltage	DC12V	Ra	≥ 90
Power/M	10W	Beam Angle	120°
SMD Type	COB	Size (mm)	1000 * 8mm
LED Qty/M	480	IP Rate	IP20
Color	3000K	Operation Temperature	- 25 ~ 60 °C
Pixel/M	/	Material	FPC
Control	/	Cutting Length	16.6mm
Wavelength	/	Net Weight/Roll	0.13KG

◆ Outline Dimension (unit: mm)

DC12V



◆ Wiring diagram



◆ Strip IP Rate



Note: The parameters are subject to change without notice!