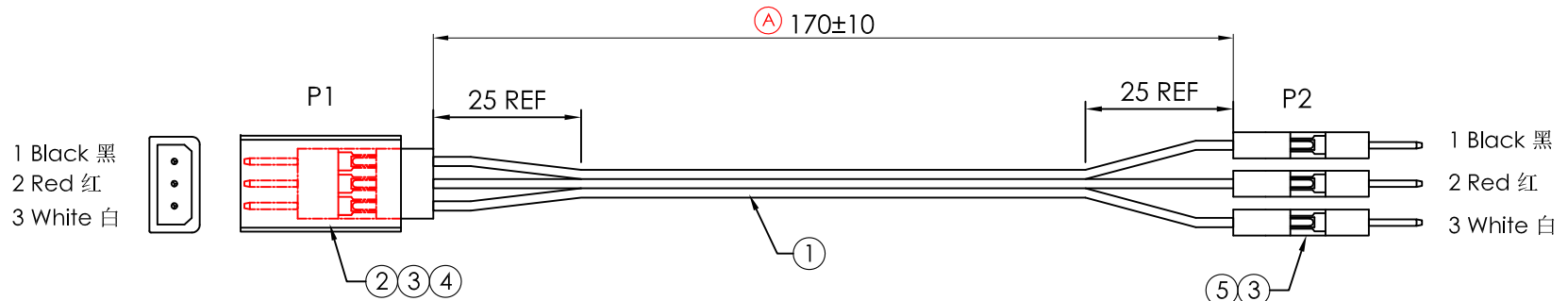


NOTES: UNLESS OTHERWISE SPECIFIED.

- 1、Important Dim.: \textcircled{A}
- 2、Crimping PullOut Force: 1.8Kgf Min.
- 3、Electrical Character :100% Open/Short

環保物料專用
RoHS compliant



Bill Of Material

5	KWQS206	CONN.		DuPont P2.54 Housing 1Pin	PCS	3
4	KWQS206	CONN.		DuPont P2.54 Outside Housing 1*3Pin Oblique Angle (斜角)	PCS	1
3	KWQS206	TER.		DuPont P2.54 MALE TERMINAL	PCS	6
2	KWQS206	CONN.		DuPont P2.54 Housing 1*3Pin Oblique Angle (斜角)	PCS	1
1	KWQS225	WIRE		UL1007 26AWG*3F (BLACK,RED,WHITE)	mm	
No.	Vendor	NAME	PART NO	Material Name and Name	Unit	Qty

CONN P1	CONN P2	COLOR
1	1	Black 黑
2	2	Red 红
3	3	White 白



DESCRIPTION(內容):
Servo to Pigtail Cable - Shrouded

DRAWN(製圖):
JEFF

CHECKED(確認):
Jack Wu

APPROVAL(核准):
Kane He

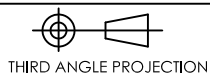
GENERAL TOLERANCE	
LINEAR	ANGLES
X.: ±0.30	X°: ±5.0°
X.X: ±0.20	X.X°: ±3.0°
X.XX: ±0.15	X.XX°: ±2.0°
X.XXX: ±0.10	X.XXX°: ±1.0°

REV:	A/1	REV:	
UNIT:	mm	REV:	1
SHEET:	6/7	REV:	2
		REV:	3
		REV:	4

DESCRIPTION	DATE
ORIGINAL	May-25-2022

A4

SCALE(比例):
1:XX



PART NO:
(料號) CBH-C17483-170
DWG NO(圖號): KWRD220517-016

A

B

C

D

E