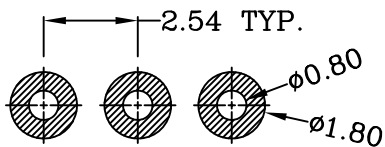
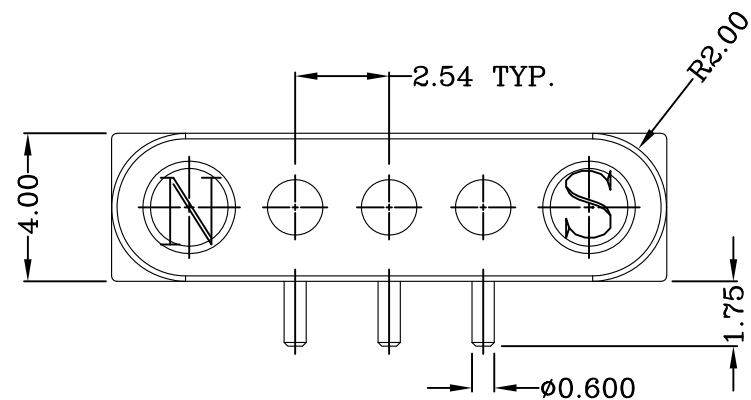
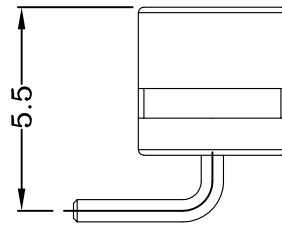
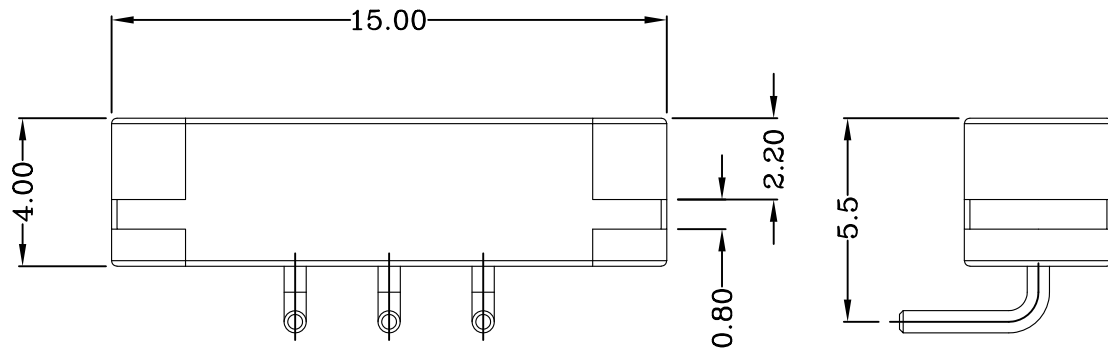


RoHS
Compliant



Recommended PCB Layout
(Component Side.Tol.: ±0.05)

NO	Item Name	Q'ty	Material	Finish
1	Pin	3	Copper Alloy:Brass	Gold over Nickel plating
2	Housing	1	High Temp. Plastics Black	—————
3	Magnet	2	NdFeB	Nickel plating
4				
5				

Notes:

- 1 Oxidation,contamination free
- 2 Electrical
 - 2.1 Current rating: 2.0A
 - 2.2 Voltage rating: 36VDC Max.
 - 2.3 Insulation Resistance: 500Mohm Min. @500VDC
 - 2.4 Dielectric Withstanding Voltage: 500VAC 1 minute
- 3 Environmental
 - 3.1 Operating and Storage temperature: -30°C~+65°C
- 4 RoHS Compliant

REV.	ECN NO. /CHANGE DESCRIPTION	DATE
X1	Proposal	2020.9.5

GENERAL TOLERANCES (Unless Specified)		SHENZHEN YIWEI TECHNOLOGY CO.,LTD				
.0 ± 0.2	.00 ± 0.10	CUSTOMER DWG	TITLE Magnet Pad Connector 3Pin 2.54Pitch Right Angle			
.000 ± 0.05	Angle ± 2°		DRAWN: Ivan	2020.9.5	DWG NO. C-8200133A3	PART NO. MG03254F-RA
THIS DRAWING IS CONFIDENTIAL AND COPYRIGHT PROPERTY OF ANLINK. NO FURTHER DISCLOSURE PERMITTED TO OTHER COMPANY BY YOU WITHOUT ANLINK WRITTEN AUTHORIZATION.		CHK'D: SH	2020.9.5	SCALE 1:1	SHEET 1/1	REV. X1
		APP'D: Ben	2020.9.5			